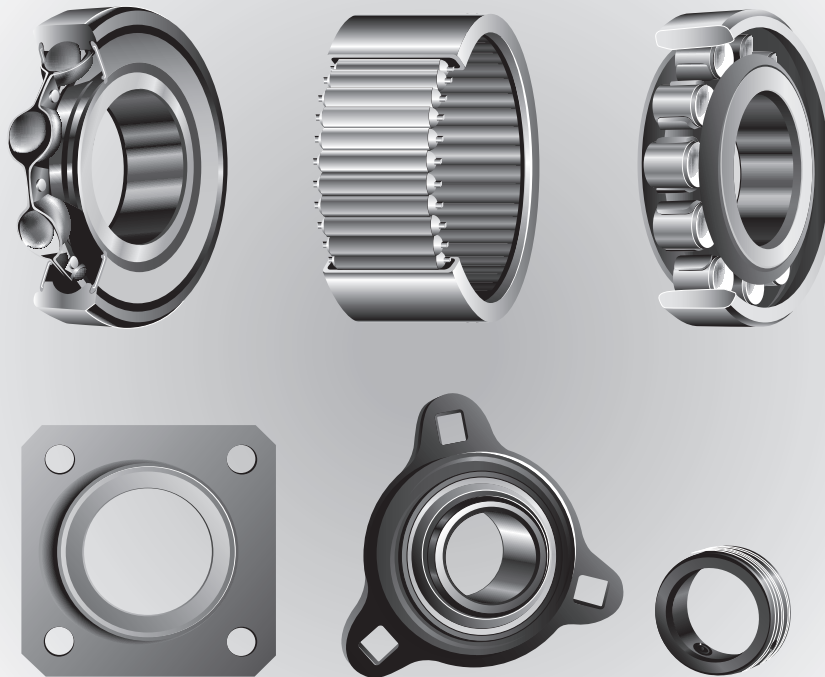


# AGCO®

## Bearings

### Cross-Reference Guide



- AGCO OEM TO MANUFACTURER PART NUMBERS • BEARING DIMENSIONS •
- INTERCHANGE DATA • FEATURES & TERMINOLOGY •



Promo 114 and PDC Stocked

Look for the latest version of this document on the AGCO Epsilon® Electronic Parts and Service Information System, the worldwide publishing and distribution system for technical and parts documents for AGCO Corporation dealers and distributors.

© Copyright 2006 AGCO Corporation. All Rights Reserved.

The contents of this catalog are the property of AGCO Corporation and may not be reproduced without permission.

---

Allis-Chalmers™ and White™ are trademarks, and AGCO®, Farmhand®, Glencoe®, Hesston®, Massey Ferguson®, Minneapolis-Moline®, Oliver® and Sunflower® are registered trademarks, of AGCO Corporation, Duluth, GA, USA.

Aetna® is a registered trademark of Aetna Bearing Company, Chicago, IL, USA. Amco® is a registered trademark of Dynamics Corporation of America, Greenwich, CT, USA. Athens® is a registered trademark of Athens Plow Company Inc., Athens, TN, USA. BCA® is a registered trademark of NTN-BCA Corporation, Lititz, PA, USA. Badger® is a registered trademark of Badger Farm Systems Inc., Nazianz, WI, USA. Barden® is a registered trademark of Barden Corporation, Danbury, CT, USA. Calkins® is a registered trademark of Coombs Manufacturing Company, Spokane, WA, USA. Case IH®, DMI® and New Holland® are registered trademarks of CNH America LLC, Racine, WI, USA. John Deere® is a registered trademark of Deere & Company, Moline, IL, USA. Deutz® is a registered trademark of Klockner-Humboldt-Deutz Corporation (KHD), Koln, Federal Republic of Germany. Dodge® is a registered trademark of Daimler Chrysler Corporation, Auburn Hills, MI, USA. FAG® is a registered trademark of FAG Kugelfischer AG, Schweinfurt, Federal Republic of Germany. Federal-Mogul® is a registered trademark of Federal-Mogul Worldwide Inc., Southfield, MI, USA. FMC® is a registered trademark of FMC Corporation, Philadelphia, PA, USA. Ford® is a registered trademark of Ford Motor Company, Dearborn, MI, USA. Gehl® is a registered trademark of Gehl Company, West Bend, WI, USA. Hardee® is a registered trademark of Hardee Manufacturing Inc., Loris, SC, USA. Kelly® is a registered trademark of Barco Industries Inc., Reading, PA, USA. Koyo® is a registered trademark of Koyo Seiko Company Ltd., Osaka, Japan. Krause® is a registered trademark of Krause Plow Corporation Inc., Hutchinson, KS, USA. Landoll® is a registered trademark of Landoll Corporation, Marysville, KS, USA. Lilliston® is a registered trademark of Bigham Brothers Inc., Lubbock, TX, USA. Link-Belt® is a registered trademark of FMC Corporation, Chicago, IL, USA. Lockwood® is a registered trademark of Agromac International Inc., Gering, NE USA. MRC® is a registered trademark of SKF USA Inc., Norristown, PA, USA. Melroe® is a registered trademark of Clark Equipment Company, South Bend, IN, USA. Midland® is a registered trademark of Midland Implement Inc., Billings, MT, USA. NDH® is a registered trademark of General Motors Corporation, Detroit, MI, USA. NSK® is a registered trademark of Nippon Seiko Kabushiki Kaisha, Tokyo, Japan. NTN® is a registered trademark of NTN Corporation, Osaka, Japan. Rexnord® is a registered trademark of Rexnord Corporation, Milwaukee, WI, USA. Rollway® is a registered trademark of Lipe-Rollway Corporation, Syracuse, NY, USA. Rome® is a registered trademark of Inter-American Vanguard Corporation, Miami, FL. SKF® is a registered trademark of SKF USA Inc., Norristown, PA, USA. Sealmaster® is a registered trademark of Emerson Electric Company, St. Louis, MO, USA. Timken® is a registered trademark of The Timken Company, Canton, OH, USA. Towner® is a registered trademark of Inter-American Vanguard Corporation, Miami, FL, USA. Tufline® is a registered trademark of Monroe-Tufline Manufacturing Company Inc., Columbus, MS, USA. Unverferth® is a registered trademark of Unverferth Manufacturing Company Inc., Kalida, OH, USA. Wil-Rich® is a registered trademark of Hutchinson Will-Rich Manufacturing Company, Dallas, TX, USA.

*Illustrations by Elmer Meider.*

While AGCO has made every effort to catalog this information correctly, the possibility for error exists. Please verify each listing with your parts book or service manual.



# Contents

	<u>Page No.</u>
<b>Introduction Overview</b> .....	2-3
<b>User Guide</b> .....	4-5
<b>Bearing Characteristics</b> .....	6-7
<b>Bearing Terminology</b> .....	8-10
<b>Index Manufacturer to AGCO Part Number and page(s)</b> .....	11-58
<b>Section A Ball Bearings</b>	
A Introduction .....	59-61
A-1 Cylindrical – Listed By Interior Diameter .....	62-72
A-2 Spherical – Listed By Interior Diameter .....	73-74
A-3 Cylindrical and Spherical – Listed By Manufacturer Part Number .....	75-86
<b>Section B Wide Inner Ring Bearings</b>	
B Introduction .....	87-89
B-1 Cylindrical – Listed By Interior Diameter .....	90
B-2 Spherical – Listed By Interior Diameter .....	91-94
B-3 Wide Inner Ring – Listed By Manufacturer Part Number .....	95-98
<b>Section C Disc Harrow Bearings</b>	
C Introduction .....	99-101
C-1 Cylindrical – Listed By Interior Diameter .....	102
C-2 Spherical – Listed By Interior Diameter .....	103-104
C-3 All-Makes Interchange .....	105-111
C-4 Cross Reference .....	112-113
C-5 Disc Harrow Bearings – Listed By Manufacturer Part Number .....	114-116
<b>Section D Roller Bearings</b>	
D Introduction .....	117-119
D-1 Cylindrical – Listed By Interior Diameter .....	120-122
D-2 Spherical – Listed By Interior Diameter .....	123
D-3 Cylindrical and Spherical – Listed By Manufacturer Part Number .....	124-126
<b>Section E Tapered Roller Bearings</b>	
E Introduction .....	127-129
E-1 Cones – Listed By Manufacturer Part Number .....	130-141
E-2 Cups – Listed By Manufacturer Part Number .....	142-150
E-3 Cups and Cones Interchange .....	151-177
E-4 Tapered Assembly – Listed By Interior Diameter .....	178-182
E-5 Tapered Assembly – Listed By Manufacturer Part Number .....	183-188
<b>Section F Needle Roller Bearings</b>	
F Introduction .....	189-191
F-1 Needle Roller Bearings – Listed By Interior Diameter .....	192-195
F-2 Needle Roller Bearings – Listed By Manufacturer Part Number .....	196-200
<b>Section G Thrust Bearings</b>	
G Introduction .....	201-203
G-1 Thrust Bearings – Listed By Interior Diameter .....	204-206
G-2 Thrust Bearings – Listed By Manufacturer Part Number .....	207-210
<b>Section H Cam Follower Bearings</b>	
H Introduction .....	211-213
H-1 Cam Follower Bearings – Listed By Interior Diameter .....	214
H-2 Cam Follower Bearings – Listed by Manufacturer Part Number .....	215-216
<b>Section I Housed Units</b>	
I Introduction .....	217-219
I-1 Pillow Blocks .....	220-221
I-2 Two Bolt / Cast Iron .....	222
I-3 Three Bolt / Cast Iron .....	223
I-4 Four Bolt / Cast Iron .....	224-226
<b>Section J Flangettes</b>	
J Introduction .....	227-229
J-1 Two Bolt .....	230
J-2 Three Bolt .....	231
J-3 Four Bolt .....	232
J-4 Six and Eight Bolt .....	233-234
<b>Section K Interchange Data</b>	
K-1 Ball Bearings .....	235-237
K-2 Disc Harrow Bearings .....	238
K-3 Roller Bearings .....	239
K-4 Housed Units .....	240



# Overview

## AGCO® Bearing Cross-Reference Guide

This cross-reference guide is intended to help you identify additional market opportunities for the AGCO bearings you already purchase and stock.

Many of these OEM bearings have other off-road applications but, until this guide, you had no easy way to identify those other applications. In addition, AGCO's unique history has led to having multiple part numbers for the same bearing, with no easy way to identify these duplicated products. This guide changes all that.

The result of hundreds of hours of research, sleuthing and plain hard work, the AGCO Bearings Cross-Reference Guide is the first comprehensive attempt to identify every AGCO bearing part number and cross it to a manufacturer number (or numbers, depending on the case).

Ultimately, you will be better able to serve your customers' needs when you are able to identify an AGCO part number for any unidentified bearing that a customer might bring to you. Even better, imagine your customer's delight when you are able to identify and locate a replacement bearing for them on-the-spot, right from your own inventory.

## Introduction and Index

This guide has been arranged to give you ideas on how to best use the guide and includes helpful information on bearing types and terminology. In addition, each section adds a detailed bearing illustration for easy identification.

- **User Guide** – Detailed information on how to search for a part number based on all available information. Bonus sections include an All-Makes Interchange and Manufacturer Part Number to AGCO Part Number Cross-Reference. These sections are intended to help you expand your reach into other markets.
- **Bearing Characteristics** – Illustrations accompany general information on features and applications for each of the main bearing categories: Ball (including Single Row and Wide Inner Ring), Roller (including Tapered and Needle), Thrust, Cam Follower, Flangettes and Housed Units.
- **Terminology** – Every product has its unique descriptions and phrases. Bearings are no different. Terms are listed in alphabetical order for easy reference.
- **Index** – Printed on colored paper for easy locating, the Index is most likely your first stop when beginning a search. The Index is listed by Manufacturer Part Number in ascending order to reveal the page or pages on which a particular bearing appears.



## Overview (cont.)

### Bearing Product Sections A - K

Each section includes three parts: an Introduction, a listing by Manufacturer Part Number, and a listing by Interior Diameter. (Some sections include additional information. Tapered Roller Bearings, for example, includes a Cups and Cones Interchange.)

- (1) **Introduction** – An example of a commonly used Manufacturer Part Number for the category is illustrated to show how the sequence of numbers and letters represent different features and dimensions for a particular bearing.
- (2) **Bearing Number Explanation** – Serves as a key for identifying the information contained in each Manufacturer Part Number.
- (3) **Identifying Differences or Advantages** – A brief overview of the particular features or advantages of each product. A small change in the race design or even a special finish can affect a product's functionality. This section will note and explain any such features.
- (4) **Understanding the Bearing Page Layout** – A brief explanation of the column layout for the Part Number listings that follow. There are changes from one section to another. However, some features are maintained from section to section: each is accompanied by an illustration because each section has been organized slightly differently.



*This Cross-Reference Guide does not replace the value of AGCO OEM bearings. It gives you the information you need to tap into the bearing aftermarket, allowing you to compete with aftermarket distributors using AGCO bearings you may already have in inventory or can obtain from any AGCO Parts Distribution Center.*



# User Guide

## How to Search for a Bearing

There are a number of different ways to search for a bearing, depending on what you know going into the search. A few examples are listed here to help illustrate these ways.

### (1) Search by Manufacturer Part Number

The Manufacturer Part Number is the best way to ensure that the features and dimensions will remain the same in the new bearing.

**Index Search** - The Index lists the Manufacturer Part Number in ascending order for each bearing and housing within this guide. Page numbers are referenced for locating the bearing.

**Section Search** - Each section is sorted in two ways: Ascending order by Interior Diameter and Ascending Order by Manufacturer Part Number. Use the Manufacturer Part Number Listing to find the features and dimensions of a bearing.

### (2) Search by the Bearing Dimensions

Sometimes you will not have a Manufacturer Part Number because it has been rubbed off the bearing or otherwise is missing. In this case, as long as you have the bearing, you can search based on its dimensions. In this case, you would go directly to the product section and look for the Interior Diameter listing. Two bearings that are dimensionally the same can vary regarding their features, internal construction and lubrication. **Please Note: Selecting a bearing based only on dimensional characteristics is not advised.**

## Bonus Sections

Three sections have been included to make this guide even more valuable.

### (1) Disc Harrow Bearings – Special features include:

**All-Makes Interchange** - OEM manufacturers have been separated. Search by OEM part number to find the AGCO bearing equivalent.

**Cross Reference** – This section allows you to cross-reference the Manufacturers Part Number to the AGCO Part Number.

### (2) Tapered Roller Bearings

The Cups and Cones Interchange Section provides a reference for Cups and Cones to be interchanged with one another within the same group. The Cup and Cone sections have a group number listed for each bearing. This group number is noted in the interchange section to allow any cup in a given group to be used with another cone within the same group.

### (3) Interchange Data

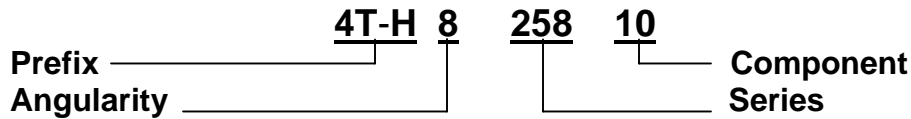
This section attempts to give you a way to identify bearings not listed in this guide, allowing you to cross almost any bearing to an AGCO Part Number, when possible.



# User Guide (cont.)

## Manufacturer Part Number Information

A Manufacturer Part Number describes many details of a bearing, including features, sizes, and lubrication. Each section throughout this guide gives an example of how to read a number. The following example is taken from the Tapered Roller Bearing Section.



<u>Prefix</u>	<u>Angularity</u>	<u>Series</u>	<u>Component</u>
<u>NTN</u> 4T...Case hardened <u>Timken Koyo NTN</u> J .....Metric bore L.....Light LM....Light-medium M.....Medium H.....Heavy HM....Heavy-medium HH....Heavier than heavy	<u>No.</u> <u>Cup Angle</u> 1..... 0° to 23.9° 2.....24° to 25.49° 3.....25.5° to 26.9° 4.....27° to 28.49° 5.....28.5° to 30.49° 6.....30.5° to 32.49° 7.....32.5° to 35.9° 8.....36° to 44.9° 9....45° to not thrust only 0.....Thrust bearing only	<u>No.</u> <u>Interior Diameter</u> <u>(inches)</u> 00 - 19.....0 to 1" 20 - 99.....1.01" to 2" 000 -029.....1.01" to 2" 039 -129.....2.01" to 3" 130 -189.....3.01" to 4" 190 - 239.....4.01" to 5" 240 - 289.....5.01" to 6"	Cup: 10 to 19 Cone: 30 to 49

**Prefix:** 4T-H identifies that the bearing is case hardened for demanding applications. It is manufactured by NTN and is classified as Heavy.

**Angularity:** The number 8 indicates an angularity range of 36° to 44.9° (outer race and rollers placed at this angle). The increase in angularity will allow for more thrust (side-to-side) loads to be applied while decreasing the capacity for radial (up and down) loads.

### Manufacturer Names

Manufacturer names are listed with prefixes and suffixes that the most common. However, there may be other manufacturers for any specific bearing prefix or suffix that are not listed here.

**Series:** The 258 Series indicates an interior diameter range of 5.01" to 6".

**Component:** The 10 identifies this as a cup bearing.



# Bearing Characteristics



A **Single Row Ball Bearing** is the most commonly used bearing in the agricultural industry. The continuous race and the close tolerances between the bore, outside diameter, and width makes the Ball Bearing ideal for light-to medium duty loads combined with high rotational speeds.



A **Wide Inner Ring Ball Bearing** has an internal design that is basically the same as a Single Row Ball Bearing. The inner ring is extended to supply additional shaft support and is locked to the shaft by set screws or an eccentric self-locking collar. Wide inner ring bearings are available in cylindrical (straight O.D.), spherical (round O.D) and relubricatable versions.



A **Roller Bearing** uses cylindrical-shaped rollers to provide a large contact surface area. The inner and outer raceways allow for a Roller Bearing to handle heavy radial loads at low speeds.



A **Tapered Roller Bearing** combines an inner cone with an outer race. This simple design allows the rollers from the cone to meet the outer race at a specific angle to allow for high radial and single direction thrust loads.



A **Needle Roller Bearing** is designed for maximum load-carrying capacity with the smallest possible cross-sectional area. This bearing is ideal for use in transmissions, pumps, and a number of other agricultural and construction applications.



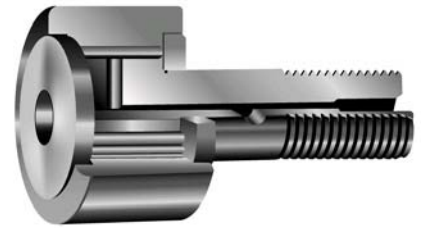


# Bearing Characteristics (cont.)

A **Thrust Bearing** is designed to handle only thrust (side-to-side) load applications. Depending on application, the Thrust Bearing is available with two different roller elements: cylindrical rollers or balls. A Ball Thrust bearing is able to rotate at a high speed, but handles less load when compared to a Roller Thrust bearing. A Roller Thrust bearing, on the other hand, is able to handle higher thrust loads but rotates slower due to the increased contact area.



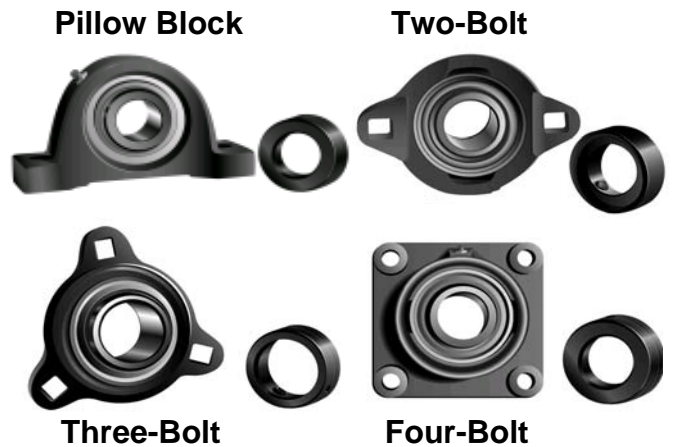
A **Cam Follower Bearing** is available in a number of design options to fit the application. Mounting options such as threaded stud, reinforced stud strengths and corrosion resistance helps extend bearing life.



A **Flangette** used in agricultural applications is available with a zinc plate finish in a clear or yellow chromate to prevent corrosion. The surface contact between the Flangette and the bearing is essential to the life of the assembly.



A **Housed Unit** is commonly made with cast iron but other metals and nonmetallic materials are also used. The tough housing protects the wide inner ring bearing from abrasive and corrosive materials for maximum performance.





# Bearing Terminology

**Axial:** In the same direction as the axis of the shaft. Also referred to as Thrust.

**American Bearings Manufacturers Association:** (ABMA) The purpose of ABMA is to define national and international standards for bearing products and maintain bearing industry statistics.

**Ball Bearing:** A bearing using balls as the rolling elements.

**Cage:** The bearing cage is a device used to separate the rolling elements of a bearing. Also referred to as retainer.

**Cone:** Inner ring of a tapered roller bearing.

**Conrad:** Standard single row deep-groove bearing named for the inventor of its assembly method, Joseph Conrad.

**Contact Angle:** Formed by a line drawn between the areas of ball and ring contact and a line perpendicular to the bearing axis.

**External Race:** The ball path on an inner ring. *See also Inner Raceway, Inner Ring Raceway.*

**Full Complement Bearing:** Roller bearing without a cage in which the sum of clearances between the rolling elements in each row is less than the diameter of the rolling elements and small enough to function properly.

**Housing, Bearing:** The opening in which a bearing is contained in a machine.

**Inch Dimension Bearing:** A bearing having boundary dimensions made to integral and/or fractional inch figures rather than metric figures.

**Inner Ring:** The inner part of a bearing that fits on a shaft and contains the external raceway for the rolling elements. Sometimes the shaft is stationary and the housing rotates.

**Inner Ring Raceway:** The ball path on an inner ring. *See also External Race.*

**Internal Clearance:** The amount by which the inner ring can be moved in a radial direction from one extreme position to the other in relation to the outer ring. *See also Radial Clearance.*

**Interior Diameter:** The smallest internal dimension of an inner or outer ring or a separator. The surface of the inner ring fits against the shaft. Also referred to as Bore or I.D.

**Internal Race:** The ball or roller path on the bore of the outer ring. Also called Outer Ring Raceway, Outer Raceway.

**Locking Collar, Concentric:** Ring fitting over extended inner ring of insert bearing and having setscrews, which pass through holes in inner ring to make contact with shaft.



## Bearing Terminology (cont.)

**Locking Collar, Self:** Ring having recess on one side that is eccentric in relation to the bore and fits over an equally eccentric extension of inner ring insert bearing. The collar is turned in relation to the inner ring until it locks and is then secured to the shaft by tightening the setscrews.

**Maximum Capacity Bearing:** A bearing with filling notches that allow loading the maximum number of balls.

**Outside Diameter:** The diameter as measured to capture the outer most diameter of the bearing. Also referred to as Outer Diameter or O.D.

**Outer Ring:** The outer part of a bearing that fits into the housing and contains the internal raceway for the rolling elements.

**Prelubricated Bearing:** A shielded, sealed, or open bearing originally lubricated by the manufacturer. Also referred to as Prelube.

**Raceway:** The ball or roller path; cut in the inner and outer ring to which the balls or rollers ride. Also referred to as Guide Path; Race; Ball Path; Roller Path.

**Radial Clearance:** The radial internal clearance of a single row radial contact ball bearing. This is equal to the average outer ring race diameter, minus the average inner ring race diameter, minus twice the ball diameter.

**Radial Load:** A load exerted perpendicular to the axis.

**Radial Type Bearing:** In general, a rolling element bearing primarily designed to support a load perpendicular to the axis. Also referred to as Annular Bearing.

**Relubricatable Bearing:** A shielded, sealed, or open bearing designed to be lubricated periodically. Also referred to as Relube.

**Seal:** A soft synthetic rubber washer with a steel core fixed in the outer ring (in the seal groove) that is in contact with the inner ring, which helps to retain the lubricant and keep out contamination.

**Self-Aligning Ball Bearing:** Spherical outside-diameter ball bearing that can accommodate an initial angular misalignment between the outer ring and its mating spherical aligning ring or housing seat.

**Shield:** A metal-formed washer attached to the outer ring and set so it rides close to, but not contacting with, the inner ring. This helps retain lubricant while preventing contamination.

**Snap Ring:** A removable ring used to axially position a bearing or outer ring in a housing. Also used as a means of fastening a shield or seal in a bearing.

**Spherical Roller Bearing:** Self-aligning, radial rolling bearing with convex rollers or concave rollers as rolling elements. With convex rollers, the outer ring has a spherical raceway; with concave rollers, the inner ring has a spherical raceway.





# Index

Listed in Ascending Order by Manufacturer Part No.

AGCO Part No.	Manufacturer Part No.	Bearing Type	Page No.
7427-4	001NFR-YG224N	Housed Unit	223
7487-1	001NF-W22OE	Housed Unit	223
51805	07000LA 902A1	Tapered Asy.	178, 183
664943M2	100MSB-S5	Flangette	232
664944M2	100MSB-S6	Flangette	232
714360	100MS-ZP	Flangette	232
50807	1012KRRB + COL	Wide Inner Ring	91, 95
29965X	1014KLLBFS161	Wide Inner Ring	91, 95
12007	1014KPPB3 L/C	Wide Inner Ring	91, 95
70825972	1014KRRB + COL	Wide Inner Ring	91, 95
700722149	10259-210372552	Needle	193, 196
70559857	1100KL + COL	Wide Inner Ring	90, 95
12901	1100KRR C1 L/C	Wide Inner Ring	90, 95
7711260	1102KRRB + COL	Wide Inner Ring	91, 95
7713597	1103KRR3 C2 L/C	Wide Inner Ring	90, 95
71308995	1103KRRB3 + Col	Wide Inner Ring	91, 95, 223
W230548B	1103RRB	Wide Inner Ring	91, 95
W511257E	1104KRR + COL	Wide Inner Ring	90, 95
71309128	1106KRRB + COL	Wide Inner Ring	92, 95
K4037	1106KRRBC1 L/C	Wide Inner Ring	92, 95
714923	1106KRX2 + COL	Wide Inner Ring	90, 95
70533734	1107KRR + COL	Wide Inner Ring	90, 95
71122510	1108KRRB + COL	Wide Inner Ring	92, 95
71136941	1112KRR + COL	Wide Inner Ring	90, 95
70539158	1112KRRB + COL	Wide Inner Ring	92, 95, 223
70228150	11-BC	Cone	130, 151
W15A14875	1202KRRB	Wide Inner Ring	92, 95
832455M1	1203KRRB + COL	Wide Inner Ring	92, 95
3734295M1	1211	Ball	70, 75
70229044	12175	Cone	134, 160
70229045	12303	Cup	145, 160
HB5026	12520	Cup	145, 160
353085X1	12580	Cone	134, 160
14292X	1305	Ball	65, 75
1109310	1306L	Ball	66, 75
71143645	1306L	Ball	66, 75
70242875	1328	Cup	143, 155
71127426	13600LA 902A1	Cone	134, 160
70526975	13620	Cup	145, 160
AG720078	13621	Cup	145, 160
70937210	13621	Cup	145, 160
70937209	13685	Cone	134, 160
70248357	13686	Cone	134, 160



# Index

Listed in Ascending Order by Manufacturer Part No.

AGCO Part No.	Manufacturer Part No.	Bearing Type	Page No.
70227846	13687	Cone	134, 160
70800449	1380	Cone	132, 155
74993779	13C	Cup	142, 151
7445-10	14116	Cone	134, 160
K1888	14117A	Cone	134, 160
N115HS	14118A	Cone	134, 160
831335M1	14120	Cone	134, 160
K1859	14120A	Cone	134, 160
831043M1	14123 AA	Cone	134, 160
K2127	14123A	Cone	134, 160
757088	14124	Cone	134, 160
850533M1	14125A	Cone	134, 160
35A9860	14131	Cone	134, 160
831133M1	14136 AA	Cone	134, 160
70211999	14137A	Cone	135, 160
70209889	14138A	Cone	135, 160
74253254	14139	Cone	135, 160
70210551	14274	Cup	145, 160
70209890	14276	Cup	145, 160
74253253	14276D	Cup	145, 160
70217567	14299	Cup	145, 160
TG8537	14C	Cup	142, 151
70604080	14XS	Cup	142, 151
70225608	15101	Cone	135, 161
72162540	15102	Cone	135, 161
70604923	15112	Cone	135, 161
70517087	15113	Cone	135, 161
850179M1	15113	Cone	135, 161
WZ6862	15113	Cone	135, 161
834512M1	15116	Cone	135, 161
15576X	15117	Cone	135, 161
70209926	15118	Cone	135, 161
AG705448	15120	Cone	135, 161
70209985	15120	Cone	135, 161
70230666	15120	Cone	135, 161
350351X1	15123	Cone	135, 161
3282907M1	15123 / 15245	Tapered Asy.	179, 183
72102502	15123/245 (A)	Tapered Asy.	179, 183
834501M1	15125	Cone	135, 161
70323297	15126	Cone	135, 161
70241380	15245	Cup	145, 161
70241380V	15245	Cup	145, 161
AG705447	15250	Cup	145, 161
70209983	15250	Cup	145, 161



# Index

Listed in Ascending Order by Manufacturer Part No.

AGCO Part No.	Manufacturer Part No.	Bearing Type	Page No.
WHB5004	15250X	Cup	145, 161
195746M1	15385	Cone	135, 161
70935129	15520	Cup	145, 161
15951X	15520	Cup	145, 161
70210116	15523	Cup	145, 161
603610A	15578	Cone	135, 145, 161
70210117	15578	Cone	135, 161
1109182	16010 C3	Ball	69, 75
72091001	16013	Ball	71, 75
72091001V	16013	Ball	71, 75
70223710	160416	Needle	193, 196, 198
712026	16137	Cone	135, 161
70541938	16150	Cone	135, 161
1142451	16205	Roller	123, 124
K4823	1623 DCTN	Ball	63, 75
712018	16282	Cup	145, 161
70541937	16284	Cup	145, 161
H475627R91	1630 DC	Ball	64, 75
834054M1	1635	Ball	64, 75
195464M1	1641 DC	Ball	65, 75
833906M1	16412RS	Ball	65, 75
831484M1	1654NSTN	Ball	66, 75
1696721M1	1696721M1	Thrust	204, 207
3607951M1	170920301100	Needle	192, 196
843291M1	1-726308-RS	Ball	74, 75
71141190	1726309 2RS1	Ball	74, 75
71154722	1726310 2RS	Ball	74, 75
74253353	17886	Cone	135, 161
1173480	18590 / 18520	Tapered Asy.	179, 183
983079	18620	Cup	145, 162
983080	18685	Cone	135, 162
983081	18690	Cone	135, 162
74253825	18690 ASSY 90019	Tapered Asy.	180, 183
983085	18720	Cup	145, 162
EB5004	18724	Cup	145, 162
983088	18790	Cone	135, 162
1173464	18790 / 18720	Tapered Asy.	180, 183
658139M1	19138	Cone	135, 162
1173661	19138 / 19268	Tapered Asy.	179, 183
7445-45	19150	Cone	135, 162
7446-35	19268	Cup	145, 162
658140M1	19283	Cup	145, 162
W237092B	1AC08-1.3/16C3	Disc Harrow	103, 109, 110, 111, 112, 114, 238
1070839M1	202KRR7	Ball	62, 75



# Index

Listed in Ascending Order by Manufacturer Part No.

AGCO Part No.	Manufacturer Part No.	Bearing Type	Page No.
70335306	203KR2	Ball	63, 75
3643380M1	203KRR2	Ball	63, 75
710673	203KRR5	Ball	62, 75
W9110090	203KRR6 C1	Ball	63, 75
832768M1	203NPP9	Ball	63, 75
834732M1	203SZZ38	Ball	63, 75
852270	204PY3 E8728	Ball	63, 75
70571020	204RR8 E8728	Ball	63, 75
70205756	205KL C3	Ball	65, 75
842696M1	205KRR2	Disc Harrow	102, 112, 114
W232380B	205KRR2	Ball	62, 75, 237
833045M1	205KRRB2	Disc Harrow	103, 112, 114
31-2475140	205KRRB2 C1	Ball	73, 75, 237
361364	205KRRP2	Ball	64, 76
SNDR30005	205KRRP2	Ball	64, 76
1905685M1	205PPB7	Disc Harrow	103, 114
W9111910	206 NRJ	Ball	66, 76
30-3056295	206516N	Thrust	205, 207
71121058	206518N	Thrust	205, 207
W9111930	206J	Ball	66, 76
71302496	206KR7 C1	Ball	66, 76
842697M1	206KRR6	Disc Harrow	102, 112, 114, 237
842374M1	206KRR8	Ball	66, 76
W510514E	206KRRB	Ball	73, 76
713172	206KRRB6	Ball	73, 76
70058974	207	Ball	66, 76
17637	207KRR PRB	Ball	73, 76
71132366	207KRR3	Ball	67, 76
W9112180	207KRR4	Ball	66, 76
7714298	207KRR8	Ball	66, 76
71505895	207KRRB12	Ball	73, 76
106823	207KRRB12SPL	Ball	74, 76
71197194	207KRRB9	Ball	73, 76, 237
844075M1	207KRRB9	Ball	73, 76
17526	207P Z6	Ball	66, 76
70212243	207PR	Ball	67, 76
70210290	207ZJ	Ball	66, 67, 76
WAC10938A	208 KRR2	Ball	67, 76
831469M1	208-2Z	Ball	67, 76
70210027	208K C2	Ball	67, 76
71131910	208KRR4	Ball	67, 76
N11490	208W C2	Ball	68, 76
195505M1	208Z	Ball	68, 76
195505V1	208Z	Ball	68, 76





# Index

Listed in Ascending Order by Manufacturer Part No.

AGCO Part No.	Manufacturer Part No.	Bearing Type	Page No.
832333M1	209	Ball	69, 76
70596130	20SBG2209E3	Ball	62, 76, 102, 112, 115 ,
72503933	210	Ball	69, 76
842504M1	210RS1/MT33	Ball	69, 76
71126430	212555	Flangette	233
833273M1	212WD C1	Ball	71, 76
844520M1	21309E	Roller	123, 124
842133M1	215-2Z/BL	Ball	71, 76
7713894	215WNPP	Ball	71, 76
70928286	215ZNR	Ball	71, 76
HA5019	21-BC	Cone	130, 151
W247647B	21FLMXYZH48APP2	Flangette	230
70592118	21FLMXZ48PP2	Flangette	230
70595363	21FLMXZ48PP2CA	Flangette	230
71309694	22208CCW33	Roller	123, 124
8051005	22211 E/C3	Ball	70, 76, 123, 124
700715741	22213E/C3W33	Roller	123, 124
71344496	22308CJW33C3	Roller	123, 124
7713803	22313DIC3	Roller	123, 124
700716384	22315BD1C3	Roller	123, 124
72160065	225518N	Thrust	205, 207
72505831	2256A (LB00)	Thrust	205, 207
10A6286	22720	Cup	145, 162
983119	22721	Cup	145, 162
983120	22778	Cone	135, 162
10A6287	22780	Cone	135, 162
700706041	23030BD1C3	Roller	123, 124
71396472	2306 E-2RS1TN9	Ball	66, 76
70931011	23620	Cup	145, 162
70242910	23621	Cup	145, 162
70242911	23690	Cone	135, 162
70931010	23691	Cone	135, 162
W9112790	237514N	Thrust	205, 207
HB5019	24	Cup	142, 151
7446-12	2420	Cup	144, 159
70235438	2421	Cup	144, 159
850181M1	24720	Cup	146, 162
70232247	2473	Cone	134, 159
7445-14	2476	Cone	134, 159
850182M1	24780	Cone	135, 162
7710064	2520	Cup	143, 155
70242850	2523	Cup	143, 155
W9112480	2525	Cup	143, 155
31-1743560	25519	Cup	146, 162



# Index

Listed in Ascending Order by Manufacturer Part No.

AGCO Part No.	Manufacturer Part No.	Bearing Type	Page No.
AG604111	25520	Cup	146, 162
17201X	25520	Cup	146, 162
74253291	25521	Cup	146, 162
50261M1	25522	Cup	146, 162
70936040	25523	Cup	146, 162
10A8410	25527	Cup	146, 162
70225634	25530RB	Cup	146, 162
70225633	25570	Cone	135, 162
70929161	25572	Cone	135, 162
7713167	25577	Cone	135, 162
7710072	2558	Cone	132, 155
AG703998	25580	Cone	135, 162
70210008	25580	Cone	135, 162
11300	25581	Cone	135, 163
X11300	25581	Cone	135, 163
7445-72	25583	Cone	136, 163
74253936	25584	Cone	136, 163
AG605248	25590	Cone	136, 163
701114M1	25590	Cone	136, 163
SNYYB-335	25590	Cone	136, 163
70931015	2578	Cone	132, 155
70927954	2580	Cone	132, 155
7710080	2581	Cone	132, 155
31-2437070	2582	Cone	132, 155
15854X	25820	Cup	146, 163
712208	25821	Cup	146, 163
AG604112	25821	Cup	146, 163
70230068	25821	Cup	146, 163
71143200	2585	Cone	132, 155
70228509	25877	Cone	136, 163
70227521	25878	Cone	136, 163
10A21642	25880	Cone	136, 163
70525977	2631	Cup	143, 155
BB5013A	26820	Cup	146, 163
70042887	26822	Cup	146, 163
70927959	26822A	Cup	146, 163
768040M1	26822B	Cup	146, 163
70235089	26823	Cup	146, 163
658138M1	26824	Cup	146, 163
70047751	26878	Cone	136, 163
W20P4307	26880	Cone	136, 163
70209899	26882	Cone	136, 163
74254984	26884	Cone	136, 163
124X59	26885	Cone	136, 163



# Index

Listed in Ascending Order by Manufacturer Part No.

AGCO Part No.	Manufacturer Part No.	Bearing Type	Page No.
833643M1	26886	Cone	136, 163
70525980	2689	Cone	132, 155
800334	2690	Cone	132, 155
70209987	2720	Cup	143, 155
SNRT019552	2720	Cup	143, 155
70227678	2729	Cup	143, 155
208285M1	2735X	Cup	143, 155
AS5022B	275933N	Thrust	205, 207
22020X	27620	Cup	146, 163
1881931M91	27687/27620	Tapered Asy.	136, 163, 181, 183
190461M1	27690	Cone	136, 163
2490660W1	27690 / 90049	Tapered Asy.	181, 183
1861105M1	27695	Cone	136, 163
70222214	2776	Cone	132, 155
70530468	2780	Cone	132, 155
800367	27820	Cup	146, 163
74253369	27820D	Cup	146, 163
Y800433	27875	Cone	136, 163
70539114	2788	Cone	132, 155
713412	27880	Cone	136, 163
10A26950	2788A	Cone	132, 155
74255820	2789	Cone	132, 155
AG603961	2790	Cone	132, 156
204257	2790	Cone	132, 155
SNRT019551	2790	Cone	132, 155
70929653	2793	Cone	132, 156
70240445	2796	Cone	132, 156
74253276	2820	Cup	143, 156
BB5014A	2820	Cone	132, 143, 156, 159
831547M1	28521	Cup	146, 164
W9112410	28521	Cup	146, 164
WKA5014	28580	Cone	136, 164
70244271	28621	Cup	146, 164
AG713777	28622	Cup	146, 164
831376M1	28622	Cup	146, 164
AG719857	28678	Cone	136, 164
157168A	28678	Cone	136, 164
713156	28680	Cone	136, 164
AG713789	28682	Cone	136, 164
831341M1	28682	Cone	136, 164
850131M1	2875	Cone	132, 156
831605M1	2876	Cone	132, 156
BA5008	2877	Cone	132, 156
BA5008A	2878	Cone	132, 156, 159



# Index

Listed in Ascending Order by Manufacturer Part No.

AGCO Part No.	Manufacturer Part No.	Bearing Type	Page No.
BA5014A	2879	Cone	132, 156
700706038	28920	Cup	146, 164
15611	28921	Cup	146, 164
71119323	28985	Cone	164, 136
700706039	28990	Cone	136, 164
15612	28995	Cone	136, 164
71143452	2924	Cup	143, 156
70539112	29520	Cup	146, 164
832930M1	29521	Cup	146, 164
70929620	29580	Cone	136, 164
10A20106	29585	Cone	136, 164
70253499	29590	Cone	136, 164
833639M1	29620	Cup	146, 164
AG706604	29620	Cup	146, 164
AG705847	29630	Cup	146, 164
AG705848	29675	Cone	136, 164
833638M1	29675	Cone	136, 164
1221928	29685 / 29620	Tapered Asy.	181, 183
71143451	2984	Cone	132, 156
N856695	2AH05-7/8	Ball	73, 76
70598622	2AH06-1	Ball	237
W238481B	2AS08-1.1/8D1V1	Disc Harrow	103, 105, 107, 110, 111, 113, 114, 238
1109953	30203	Tapered Asy.	178, 183
700001838	30204	Cone	136, 165
700001839	30204A	Cup	146, 165
1440634V1	30204JR	Tapered Asy.	178, 183
1440634X1	30204JR	Tapered Asy.	178, 183
700001841	30205A	Cup	146, 165
1109955	30205A	Tapered Asy.	178, 183
700001840	30205JR	Tapered Asy.	136, 165, 178, 184
17391	30206	Tapered Asy.	178, 183
1109956	30206A	Tapered Asy.	178, 183
4303279	30206AR / 30286A	Tapered Asy.	178, 183
1109957	30207A	Tapered Asy.	179, 183
1109957V	30207A	Tapered Asy.	179, 183
1109958	30208JR	Tapered Asy.	179, 183
72090066	30209JR	Tapered Asy.	180, 183
72092848	30210A	Tapered Asy.	180, 183
72090067	30211JR	Tapered Asy.	180, 183
72255674	30212A	Tapered Asy.	181, 184
339439X1	30212JR	Tapered Asy.	181, 184
391337X1	30213JR	Tapered Asy.	181, 184
1109964	30214JR	Tapered Asy.	181, 184
391336X1	30215JR	Tapered Asy.	181, 184



# Index

Listed in Ascending Order by Manufacturer Part No.

AGCO Part No.	Manufacturer Part No.	Bearing Type	Page No.
1126121	30216JR	Tapered Asy.	181, 184
1126122	30217	Tapered Asy.	182, 184
72255679	30217JR	Tapered Asy.	182, 184
3734309M1	30218JR	Tapered Asy.	182, 184
1109970	30219	Tapered Asy.	182, 184
3734310M1	30304JR	Tapered Asy.	178, 184
1109977	30305A	Tapered Asy.	178, 184
17390	30306JR	Tapered Asy.	179, 184
1109979	30307A	Tapered Asy.	179, 184
1440635X1	30308	Tapered Asy.	179, 184
1440640X1	30309A	Tapered Asy.	180, 184
1101386	30310A	Tapered Asy.	180, 184
1109985	30312A	Tapered Asy.	181, 184
4383378	307418 BA	Thrust	205, 207
4383379	307438BA	Thrust	206, 207
842117M1	307Z	Ball	67, 76
450	308	Ball	68, 77
833647M1	308	Ball	68, 77
71192128	308GS1DS	Thrust	204, 207
832345M1	308Z	Ball	68, 77
2759935M1	309SZZ4	Ball	69, 77
70213010	3120	Cup	143, 156
70931013	3126	Cup	143, 156
712083	312NPP	Ball	71, 77
1109989	31306A	Tapered Asy.	178, 184
1101137	31307A	Tapered Asy.	179, 184
70272712	31308	Tapered Asy.	179, 184
1109992	31309	Tapered Asy.	180, 184
1440826X1	31309J-N / 31309JR-N	Tapered Asy.	180, 184
1109995	31311A	Tapered Asy.	180, 184
AG705875	31520	Cup	146, 165
BB5008B	31520	Cup	146, 165
72160240	31521	Cup	147, 165
603600A	31523RB / 31597	Tapered Asy.	179, 184
74253274	31593	Cone	136, 165
BA5008B	31594	Cone	137, 165
AG705874	31597	Cone	137, 165
72160241	31597	Cone	137, 165
72160238	3193	Cone	132, 156
70931014	3196	Cone	132, 156
JT9202	31-BC	Cone	130, 151
1136509	320/32X	Tapered Asy.	179, 184
4330916	32006JR	Tapered Asy.	179, 184
1136507	32006X	Tapered Asy.	179, 184



# Index

Listed in Ascending Order by Manufacturer Part No.

AGCO Part No.	Manufacturer Part No.	Bearing Type	Page No.
1136482	32007X/Q	Tapered Asy.	179, 184
4351472	32008X-VB022	Tapered Asy.	179, 184
1136214	32009	Tapered Asy.	180, 184
3009853X1	32010X	Tapered Asy.	180, 184
3734319M1	32010XV	Tapered Asy.	180, 184
1101597	32011 X/Q	Tapered Asy.	181, 184
1132697	32012JR	Tapered Asy.	181, 184
391339X1	32013XU	Tapered Asy.	181, 184
3734320M1	32014JR	Tapered Asy.	181, 184
71355915	32014X	Tapered Asy.	181, 184
1101901	32015JR	Tapered Asy.	181, 184
1137549	32016X	Tapered Asy.	181, 185
1125783	32017JR	Tapered Asy.	182, 185
3734308M1	32017JR	Tapered Asy.	182, 185
1103228	32018XA	Tapered Asy.	182, 185
1102043	32019XA	Tapered Asy.	182, 185
30-3318206	32020X	Tapered Asy.	182, 185
30-3318214	32021X	Tapered Asy.	182, 185
1101856	32022X	Tapered Asy.	182, 185
834183M1	3203-A/C3/TS	Ball	63, 77
1047513M1	3204ATN9/C3	Ball	65, 77
833309M1	3209A_C3	Ball	69, 77
843278M1	3211 C3	Ball	70, 77
30-3479811	32205B-92KA1	Tapered Asy.	178, 185
700712353	32206J 2/Q	Tapered Asy.	179, 185
1110001V	32207JR	Tapered Asy.	179, 185
1110001	32207JR	Tapered Asy.	179, 185
1110002	32208A	Tapered Asy.	179, 185
1101909	32209 J2/Q	Tapered Asy.	180, 185
1110003	32210JR	Tapered Asy.	180, 185
1125929	32211JR	Tapered Asy.	181, 185
700726369	32212	Tapered Asy.	181, 183
3393189	32214JR	Tapered Asy.	181, 185
700726370	32215 92KA1	Tapered Asy.	181, 185
72255705	32306	Tapered Asy.	178, 185
390876X1	32307	Tapered Asy.	179, 185
1440636X1	32308	Tapered Asy.	179, 185
30-3415171	32308-B	Tapered Asy.	179, 185
70272800	32309 BJ2/B46	Tapered Asy.	180, 185
1101339	32310A	Tapered Asy.	180, 185
JT9201	32C	Cup	142, 151
3304944M1	3304944M1	Needle	195, 196
1139457	33108	Tapered Asy.	179, 185
1130692	33111JR	Tapered Asy.	180, 185



# Index

Listed in Ascending Order by Manufacturer Part No.

AGCO Part No.	Manufacturer Part No.	Bearing Type	Page No.
SN3062	332	Cup	142, 151
WF93	332	Cup	142, 151
KT7108	3320	Cup	143, 156
1137018	33207JR	Tapered Asy.	179, 185
3734343M1	33210	Tapered Asy.	180, 185
AG028024	33225	Cone	137, 165
700703795	33251	Cone	137, 165
14309X	33262	Cone	137, 165
504227M1	33275	Cone	137, 165
AG705942	33281	Cone	137, 165
983326	33281	Cone	137, 165
831733M1	33287	Cone	137, 165
10A10557	3329	Cup	143, 156
982602	3339	Cup	143, 156
107610A	33461	Cup	147, 165
504226M1	33462	Cup	147, 165
700703794	33472	Cup	147, 165
AG705943	33472	Cup	147, 165
WKT7109	336	Cone	130, 151
982603	3379	Cone	133, 156
74253302	3382	Cone	132, 156
70061088	33821	Cup	147, 165
KT7109A	3383	Cone	133, 156
74255185	33885	Cone	137, 165
70061087	33889	Cone	137, 165
70931618	33891	Cone	137, 165
74254801	33895	Cone	137, 165
70210548	342	Cone	130, 151
UT9034	3422	Cup	143, 156
832729M1	342A	Cone	130, 152
SN3061	342A	Cone	130, 151
10A22365	342S	Cone	130, 152
AG707333	34300	Cone	137, 165
10A8440	34301	Cone	137, 165
70619872	34306	Cone	137, 165
73028644	34478	Cup	147, 165
AG707325	34478	Cup	147, 165
842789M1	344A	Cone	130, 152
71162778	3490	Cone	133, 156
712042	350	Cone	130, 152
72098970	3503-1803-00-0	Thrust	206, 207
983367	35176	Cone	137, 166
832033M1	352	Cup	142, 152
22246X	3525	Cup	144, 156



# Index

Listed in Ascending Order by Manufacturer Part No.

AGCO Part No.	Manufacturer Part No.	Bearing Type	Page No.
AG720159	3525	Cup	144, 156
982625	3526	Cup	144, 156
983368	35326	Cup	147, 166
70211608	354A	Cup	142, 152
70211562	355	Cone	130, 152
71119313	355A	Cone	130, 152
74254692	3576	Cone	133, 156
FT7014	3578	Cone	133, 156
982629	3579	Cone	133, 156
AG703041	3585	Cone	133, 156
3599263M1	3599263M1	Thrust	204, 207
72090691	35BC	Cone	130, 151
441401M1	35MS	Flangette	231
700108622	35MST	Flangette	230
70927956	3620	Cup	144, 157
350356X1	362A	Cup	142, 152
832032M1	363	Cup	142, 152
3647577M1	3647577M1	Needle	195, 196
70927950	3659	Cone	133, 157
831304M1	368	Cone	130, 152
200922M1	368A	Cone	130, 152
3405345M91	368A/363	Tapered Asy.	180, 185
70936730	368-S	Cone	130, 152
124X30	369-S	Cone	130, 152
72090692	36X	Cup	142, 151
70225110	370A	Cone	130, 152
831363M1	3720	Cup	144, 157
831363V1	3720	Cup	144, 157
70659149	3730	Cup	144, 157
AG705325	3732	Cup	144, 157
70928287	3733	Cup	144, 157
185251M1	37425	Cone	137, 166
3176330M1	37431A/37625	Tapered Asy.	182, 185
70223308	375,3780,3729D	Tapered Asy.	180, 185
185252M1	37625	Cup	147, 166
70605175	3767	Cone	133, 157
AG028022	3767	Cone	133, 157
831703M1	3780	Cone	133, 157
AG603953	3780	Cone	133, 157
882554M91	3780 / 3720	Tapered Asy.	180, 185
833805M1	3781	Cone	133, 157
831326M1	3782	Cone	133, 157
AG705326	3782	Cone	133, 157
70253011	3784	Cone	133, 157





# Index

Listed in Ascending Order by Manufacturer Part No.

AGCO Part No.	Manufacturer Part No.	Bearing Type	Page No.
195162M1	3795	Cone	133, 157
7711534	37PP C3	Ball	62, 77
3815653M1	3815653M1	Needle	194, 196
3815690M1	3815690M1	Needle	194, 196
3816850M1	3816850M1	Thrust	205, 207
70210241	382	Cup	142, 152
AG713779	382	Cup	142, 152
71377534	3820	Cup	144, 157
831253M1	3820	Cup	144, 157
70210012	3821	Cup	144, 157
70257797	3822RB	Cup	144, 157
70212037	382A	Cup	142, 152
70254872	382B	Cup	142, 152
982080	383A	Cup	142, 152
70211563	385	Cone	130, 152
10A8408	385A	Cone	130, 152
AG028808	385A	Cone	130, 152
70244141	385A/384SW, HM807046/010	Tapered Asy.	180, 185
3405342M91	386A	Cone	130, 152
10A7291	387	Cone	130, 152
982101	387/382	Tapered Asy.	181, 185
844407M1	3872	Cone	133, 157
70932843	3875	Cone	133, 157
70210011	3876	Cone	133, 157
LA5005	3877	Cone	133, 157
70228297	3877	Cone	132, 134, 156, 159
70241492	3877A/3822RB	Tapered Asy.	179, 185
72163092	387A	Cone	130, 152
AG713795	387A	Cone	130, 152
35A3399	387S	Cone	130, 152
71377535	3880	Cone	133, 157
70230972	3880	Cone	133, 157
73010579	388A	Cone	131, 152
982092	389A	Cone	131, 152
70246526	389A/384SW, HM807049/010	Tapered Asy.	180, 185
8050205	389S/382A	Tapered Asy.	181, 185
72090693	38A	Cup	142, 151
MA5012	390A	Cone	131, 152
195160M1	3920	Cup	144, 157
195160V1	3920	Cup	144, 157
AG604446	3920	Cup	144, 157
982685	3925	Cup	144, 157
74255217	39250	Cone	137, 166
834049M1	394A	Cup	142, 152



# Index

Listed in Ascending Order by Manufacturer Part No.

AGCO Part No.	Manufacturer Part No.	Bearing Type	Page No.
72163184	394A & 395A	Tapered Asy.	181, 186
70209897	394AS	Cup	142, 152
70209894	395	Cone	131, 153
70933868	39520	Cup	147, 166
AG720158	39520	Cup	147, 166
843632M1	39521	Cup	147, 166
70933165	39573	Cone	137, 166
70619873	39575	Cone	137, 166
74254258	39580	Cone	137, 166
165759A	39581	Cone	137, 166
74253787	39585	Cone	137, 166
70930972	39586	Cone	137, 166
73007119	39590	Cone	137, 166
831488M1	395A	Cone	131, 153
700710545	395LA 902A4	Cone	131, 153
70229110	395S	Cone	131, 153
70043002	397	Cone	131, 153
H971528R91	3975	Cone	133, 157
70042884	3975	Cone	133, 157
10A31025	3977	Cone	133, 157
71334989	3980	Cone	133, 157
70209905	3982	Cone	133, 157
AG604445	3982	Cone	133, 158
8050197	3982/3920	Tapered Asy.	181, 186
KA5021	3984	Cone	133, 158
195159M1	3984	Cone	133, 158
2374238	399A	Cone	131, 153
834834M1	399AS	Cone	131, 153
W9110060	399AS	Cone	131, 153
E10771	3AC10-1.15/16D1V1	Ball	74, 77, 104, 114, 238
832540M1	3AS11-1.1/2CN	Disc Harrow	104, 106, 107, 109, 110, 113, 114, 238
70583939	3AS11-1.1/2D1V3	Disc Harrow	104, 105, 106, 108, 109, 111
832464M1	408	Ball	67, 77
842415M1	408	Ball	67, 77
553-040	40MST2	Flangette	230
AG516341	40MS-ZP	Flangette	230
70530811	40MS-ZP	Flangette	231
72100765	40TRK39-4SB	Thrust	204, 207
744620M91	41425608	Thrust	204, 207
700715941	41FL64PP	Flangette	230
AG517256	42350	Cone	137, 166
10P3627	42350	Cone	137, 166
983431	42375	Cone	137, 166
70929667	42375A	Cone	137, 166



# Index

Listed in Ascending Order by Manufacturer Part No.

AGCO Part No.	Manufacturer Part No.	Bearing Type	Page No.
AG706729	42381	Cone	137, 166
771130M1	42381	Cone	137, 166
833135M1	42584	Cup	147, 166
AG517255	42584	Cup	147, 166
AG706728	42584	Cup	147, 166
700720336	42620	Cup	147, 166
AG705355	42620	Cup	147, 166
700720334	42687	Cone	137, 166
AG714654	42687	Cone	137, 166
70239063	42688	Cone	137, 166
700720518	42690	Cone	137, 166
10P2421	43125	Cone	137, 167
29776X	43132	Cone	137, 167
191250M1	431935-C	Roller	120, 124
191250V1	431935-C	Roller	120, 124
10P2422	43312	Cup	147, 167
982709	4335	Cup	144, 158
71377722	4335	Cup	144, 158
713404	4375	Cone	133, 158
71377723	4388	Cone	133, 158
843556M1	4388	Cone	133, 158
982712	4395	Cone	133, 158
155769A	44158/44363D	Tapered Asy.	179, 186
70073111	45220	Cup	147, 167
AG705630	45220	Cup	147, 167
70659153	45221	Cup	147, 167
70329358	45284	Cone	138, 167
AG714814	45285	Cone	138, 167
70080730	45285	Cone	138, 167
AG705358	45287	Cone	138, 167
AG714655	45290	Cone	138, 167
70073112	45290	Cone	138, 167
70244167	45291	Cone	138, 167
843631M2	4535	Cup	144, 158
831354M1	453A	Cup	142, 153
300975M1	453X	Cup	142, 153
74850232	455S	Cone	131, 153
714451	458	Cone	131, 153
843630M2	4595	Cone	133, 158
16031X	46162	Cone	138, 167
195675M1	462 A	Cone	131, 153
195675V1	462 A	Cone	131, 153
35A239	469	Cone	131, 153
72507599	472	Cup	142, 153



# Index

Listed in Ascending Order by Manufacturer Part No.

AGCO Part No.	Manufacturer Part No.	Bearing Type	Page No.
72507597	475	Cone	131, 153
983521	47620	Cup	147, 167
70061086	47620	Cup	147, 167
74891163	47620	Cup	147, 167
AG028450	47620	Cup	147, 167
983522	47620A	Cup	147, 167
983527	47681	Cone	138, 167
AG028451	47686	Cone	138, 167
832590M1	47686	Cone	138, 167
983530	47687	Cone	138, 167
843617M1	47688	Cone	138, 167
6630376	47MM-3TZP	Flangette	231
22632X	47MM-3ZP	Flangette	231
711952	47MST-ZP	Flangette	230
713800	47MS-ZP	Flangette	231
AG705960	48220	Cup	147, 167
AG705959	48290	Cone	138, 167
7712656	48290	Cone	138, 167
700710370	48320	Cup	147, 168
834798M1	48320	Cup	147, 168
AG519692	48320	Cup	147, 168
167322A	48320/48393	Tapered Asy.	182, 186
700710380	48385	Cone	138, 168
AG519693	48393	Cone	138, 168
70800420	488016	Ball	63, 77
70800421	488503	Ball	63, 77
70238935	492A	Cup	143, 153
6672656	493	Cup	142, 153
7714371	493	Cup	143, 153
AG604153	493	Cup	143, 153
3405346M91	493/498	Tapered Asy.	181, 186
7714363	495	Cone	131, 153
AG720164	495	Cone	131, 153
AG700950	495A	Cone	131, 153
1883279M91	495A/493	Tapered Asy.	181, 186
71143195	495AS	Cone	131, 153
832589M1	496	Cone	131, 153
AG604154	496	Cone	131, 153
73024650	497	Cone	131, 153
700704966	497A	Cone	131, 153
70238936	498	Cone	131, 153
832397M1	4CB	Cone	130, 151
50393	4FL56PP	Flangette	231
760907M1	4T_6	Cup	142, 151



# Index

Listed in Ascending Order by Manufacturer Part No.

AGCO Part No.	Manufacturer Part No.	Bearing Type	Page No.
74253370	4T-17831	Cup	145, 161
894776M1	4T-27687	Cone	136, 163
834830M1	4T-29582	Cone	136, 164
831343M2	4T-29685	Cone	136, 164
1442550X1	4T-32305	Tapered Asy.	178, 186
1104517	4T-33206	Tapered Asy.	178, 186
22245X	4T-3578	Cone	133, 156
588230M1	4T-362	Cup	142, 152
31-2429030	4T-3778	Cone	133, 157
74255218	4T-39412	Cup	147, 166
300974M1	4T-462	Cone	131, 153
KB5011	4T-572	Cup	143, 154
190460M1	4T-594	Cone	131, 154
70930867	4T-757	Cone	132, 155
3281549M1	4T-FL30206PX1	Tapered Asy.	179, 186
70239002	4T-H715341/H715311	Tapered Asy.	181, 186
833296M1	4T-HM804840	Cone	141, 175
1612560M1	4T-JH415647	Cone	140, 172
70933016	4T-JLM508710	Cup	149, 173
843035M1	4T-JLM813049	Cone	141, 176
843033M1	4T-JLM81310	Cup	150, 176
843857M1	4T-L610549	Cone	140, 174
74255821	4T-LM29710	Cup	146, 164
843036M1	4T-LM48548A	Cone	138, 168
6S-6031	4T-M802011	Cup	150, 175
5P-9652	4T-M804010	Cup	150, 175
1109887	51105 (JB00)	Thrust	204, 207
31-1604330	51110	Thrust	205, 207
843473M1	51209	Ball	68, 77
71391540	5200 A2RS1TN9/C3	Ball	62, 77
1904850M1	5201KDD	Ball	62, 77
1173588	5203KCL	Ball	63, 77
SN7218	5203KYY2	Ball	63, 77
7714629	5203PP4	Ball	63, 77
W10P1499	5204 H	Ball	64, 77
71336974	5204PP A4257	Ball	64, 77
AG514757	5205-A2RS	Ball	65, 77
1139359	5209	Ball	68, 77
15192	5210 ZZ	Ball	69, 77
70242703	5211WL	Ball	70, 77
70240103	5212	Ball	71, 77
843681M1	522	Cup	143, 153
71355352	522 / 529	Tapered Asy.	180, 186
70930839	52387	Cone	138, 168



# Index

Listed in Ascending Order by Manufacturer Part No.

AGCO Part No.	Manufacturer Part No.	Bearing Type	Page No.
AG604447	52400A	Cone	138, 168
843680M2	526	Cone	131, 153
1171646	526072A	Ball	62, 77
70181742	52618	Cup	147, 168
AG604448	52618	Cup	147, 168
Y713420	529	Cone	131, 153
1042597M1	529 / 522	Tapered Asy.	180, 186
832933M1	52MM-3EZP	Flangette	231
WZ277	52MM-3R(PLAIN)	Flangette	231
243369M1	52MM-ZP	Flangette	231
50567	52MS-2ZP	Flangette	231
834145M1	52MS-8ZP	Flangette	232
71133361	52MSTR-4YZP	Flangette	231
833766M1	52MST-ZP	Flangette	230
30-3022617	5304	Ball	64, 77
195163M1	53177	Cone	138, 168
983617	53178	Cone	138, 168
982729	5335	Cup	144, 158
17392A	53375	Cup	148, 168
982733	5395	Cone	133, 158
AG705909	55176C	Cone	138, 168
8050676	55200	Cone	138, 168
AG721065	552A	Cup	143, 154
70068847	5535	Cup	144, 158
808345	55437	Cup	148, 168
AG028806	55437	Cup	148, 168
AG720145	55443	Cup	148, 168
AG721060	555S	Cone	131, 154
70932875	5584	Cone	133, 158
72103232	55TMK804X	Thrust	205, 207
KB5012B	563	Cup	143, 154
164911A	563X	Cup	143, 154
1299426	56425	Cone	138, 168
167323A	56425 / 56662	Tapered Asy.	138, 148, 168, 182, 186,
70272746	56425/56650	Tapered Asy.	182, 186
7713134	567	Cone	131, 154
UT9033	567-S	Cone	131, 154
103758A	568	Cone	131, 154
831921M1	572	Cup	143, 154
982754	5735	Cup	144, 158
70253375	574	Cup	143, 154
KA5011	575	Cone	131, 154
70253192	575	Cone	131, 154
10A18964	576	Cone	131, 154



# Index

Listed in Ascending Order by Manufacturer Part No.

AGCO Part No.	Manufacturer Part No.	Bearing Type	Page No.
982755	5760	Cone	133, 158
70043010	580	Cone	131, 154
AG705359	59201	Cone	138, 168
588242M1	592A	Cup	143, 154
AG706124	592A	Cup	143, 154
107615A	592XE	Cup	143, 154
70053509	593	Cone	131, 154
3383709M1	594/593X	Tapered Asy.	182, 186
AG705360	59412	Cup	148, 168
70208875	5948 NICE	Thrust	204, 207
736508	594A	Cone	131, 154
71141348	598	Cone	131, 154
8050189	598 / 592XS	Tapered Asy.	182, 186
760906M1	5BC	Cone	130, 151
3435646M1	6002LU	Ball	62, 77
6664999	6003-2RS1	Ball	63, 77
1136079	6004 2RS (A)	Ball	64, 77
526253	6004 C3	Ball	64, 77
1136079V	6004.2RSR	Ball	64, 77
70931690	6004LLUNR	Ball	64, 77
33-0065471	6004LU	Ball	64, 77
1124697	6005-RS1	Ball	65, 77
72098927	6006	Ball	66, 77
1139517	6006LLUC3/5C	Ball	66, 77
390940X1	6006LU	Ball	66, 78
70276826	6007	Ball	70, 78
KS5030A	6007 RSJ	Ball	66, 78
835163M1	6007-2RS1	Ball	67, 78
72503499	60072RS1C3	Ball	67, 78
30-3065162	6007-2RS2/C4LHT23	Ball	67, 78
72100838	6007-NR	Ball	66, 78
3000724X1	6007RS	Ball	67, 78
30-3065146	6008 2RS2NR/C4P	Ball	68, 78
1101409	6008 C3	Ball	68, 78
72505492	6008.2RSR.C3.J22R	Ball	67, 78
72505492V	6008.2RSR.C3.J22R	Ball	68, 78
72160313	60082RSC4GA2	Ball	68, 78
3008355X1	6008NR	Ball	68, 78
1138875	6008RSRC3	Ball	67, 78
70928929	6008RSRC3	Ball	67, 78
842727M1	6008RSRC3	Ball	68, 78
70241833	6009	Ball	69, 78
3002233X1	6009 C3	Ball	69, 78
195498M1	6009NR	Ball	68, 78



# Index

Listed in Ascending Order by Manufacturer Part No.

AGCO Part No.	Manufacturer Part No.	Bearing Type	Page No.
195498V1	6009NR	Ball	68, 78
1104732	6010-2RS1/C3GJN	Ball	69, 78
106049A	6010-2RS1/C3GJN	Ball	69, 78
353253X1	6010-2RS1/C3GJN	Ball	69, 78
WZ579	6010-2RS1/C3GJN	Ball	69, 78
1108986	6010C3	Ball	69, 78
3003277X1	6010C3	Ball	69, 78
195494M1	6010-Z	Ball	69, 78
195494V1	6010-Z	Ball	69, 78
391261X1	6011	Ball	70, 78
834218M1	6011	Ball	70, 78
834218V1	6011	Ball	70, 78
70526542	6011 2RS	Ball	70, 78
71344589	6011 NR	Ball	70, 78
833733M1	60122RS	Ball	71, 78
339673X1	6013	Ball	71, 78
71160100	6013.2RSR.C3.J22R	Ball	71, 78
1108994	6014 C3	Ball	71, 78
70937250V	6014.2RSR.C3.J22R	Ball	71, 78
70937250	6014.2RSR.C3.J22R	Ball	71, 79
71195913	6015 2RS1	Ball	71, 79
12402	6017	Ball	71, 79
W9112600	6017-2RS1/C3	Ball	71, 79
1109002	6018	Ball	72, 79
842047M1	6018Z	Ball	72, 79
700717727	6020-2RS1	Ball	72, 79
211964	6022	Ball	72, 79
74507158	60622VBF00	Ball	62, 79
700706189	608LLU/5C	Ball	62, 79
831777M1	609V	Ball	65, 79
33-0052221	60TMK20	Thrust	205, 207
6105621	6105621	Flangette	231
DB5011	612	Cup	143, 154
W9111190	619082RS1/C3	Ball	67, 79
72101269	6193-1803-00-1	Thrust	206, 207
72098661	62/32	Ball	66, 79
642239M1	6201LLBC3/2A	Ball	62, 79
642239V1	6201LLBC3/2A	Ball	62, 79
1442075X1	6201-RS1	Ball	62, 79
832688M1	6201-RS1	Ball	62, 79
1440484X1	6202	Ball	62, 79
844096M1	6202 2RS1/2	Ball	62, 79
833889M1	6202 RS	Ball	62, 79
21271A	6202 ZZ C3 Z14	Ball	62, 79





# Index

Listed in Ascending Order by Manufacturer Part No.

AGCO Part No.	Manufacturer Part No.	Bearing Type	Page No.
103300A	6202-2Z/C3GJN	Ball	63, 79
833819M1	6202LLU/16	Ball	63, 79
175047M1	6202LLU/2A	Ball	63, 79
70525592	6203	Ball	64, 79
828123M2	6203 2RS1C3	Ball	64, 79
828123V2	6203 2RS1C3	Ball	64, 79
842045M1	6203/16	Ball	63, 79
832960M3	62032ZR.C3.J22R	Ball	63, 79
832960V3	62032ZR.C3.J22R	Ball	63, 79
833735M1	6203LLU/16/2A	Ball	63, 79
10473	6203LLUC4/5C	Ball	64, 79
828123N1	6203-ZZ	Ball	63, 79
527263	6204	Ball	64, 79
17519	62042RS	Ball	64, 79
1136653	62042RS	Ball	64, 79
1136653V	62042RS	Ball	64, 79
842947M1	6204-2RS-5/8	Ball	63, 79
200163M1	6204NR	Ball	64, 79
832686M1	6204-RS	Ball	64, 80
832686V1	6204-RS	Ball	64, 80
74044212	6204-RSH/C3	Ball	65, 80
70573970	6204Z	Ball	64, 80
K3352	6205 2RS C3 Z14	Ball	65, 80
K3352V	6205 2RS C3 Z14	Ball	65, 80
832778M1	6205 2RS C-4	Ball	65, 80
1109045	6205/C3	Ball	65, 80
72100764	6205LLNR	Ball	65, 80
11489	6205NR	Ball	65, 80
353067X1	6205-RLD	Ball	65, 80
1109048	6205-Z/C3	Ball	65, 80
3703004M1	6206	Ball	66, 80
12773	6206 2RS C3 Z14	Ball	66, 80
1109055	6206 2RS C3 Z14	Ball	66, 80
1109055V	6206 2RS C3 Z14	Ball	66, 80
N12773	6206 2RS C3 Z14	Ball	66, 80
71131263	6206 NRC3	Ball	66, 80
AG512540	6206.2RSR.J22R	Ball	66, 80
831087M1	6206-2RS	Ball	73, 80
1174298	6206C3	Ball	66, 80
1440494X1	6206C3	Ball	66, 80
834750M1	6206-RS	Ball	73, 80
1109052	6206-RS1/C3	Ball	66, 80
700712383	6207	Ball	67, 80
1140823	6207.2RSR.C3.J22R	Ball	67, 80



# Index

Listed in Ascending Order by Manufacturer Part No.

AGCO Part No.	Manufacturer Part No.	Bearing Type	Page No.
1047237M1	6207.2RSR.C3.J22R	Ball	67, 80
1140823V	6207.2RSR.C3.J22R	Ball	67, 80
17389	6207.C3.J22R	Ball	67, 80
1109058	6207.C3.J22R	Ball	67, 80
1109058V	6207.C3.J22R	Ball	67, 80
114093M1	6207-2RS1	Ball	67, 80
104089W1	6207-2Z/C3	Ball	67, 80
72097938	6207NR	Ball	67, 80
1447415M1	6207RS	Ball	67, 80
352976X1	6208 2RS1/C3	Ball	68, 80
833059M1	6208 2RS1/C3	Ball	68, 80
833059V1	6208 2RS1/C3	Ball	68, 80
70528519	6208 C3	Ball	68, 80
70528519V	6208 C3	Ball	68, 81
700726228	6208-2RS1TN9/C3VE167	Ball	68, 81
354353X1	6208NR	Ball	68, 81
71118304	6208-RS	Ball	68, 81
KS5031	6208ZNR	Ball	68, 81
71120308	6209 NR C3	Ball	68, 81
1109070	6209.C3.J22R	Ball	69, 81
1138480	6209-2RS1C3	Ball	69, 81
707636	6209NR	Ball	69, 81
732103	6209-RS1/C3	Ball	69, 81
71145314	6209-RS1/C3	Ball	69, 81
18546X	6209-RS1/C3	Ball	69, 81
391162X1	6210	Ball	69, 81
354919X1	6210 2RSGA2	Ball	69, 81
1675274M1	6210 ZNBR	Ball	69, 81
1675274V1	6210 ZNBR	Ball	69, 81
195493M1	6210 ZNBR	Ball	69, 81
70223712	6210 ZNR	Ball	69, 81
71116581	6210.2RSRC3.J22R	Ball	69, 81
71335182	62102RS1VE391	Ball	70, 81
17522	6210-2RS-C3	Ball	69, 81
1109073	6210C3.J22R	Ball	69, 81
12395	6210C3.J22R	Ball	69, 81
71169762	6210LUNRSC3/3A	Ball	69, 81
70224837	6210NRC3	Ball	70, 81
3003258X1	6210RS	Ball	70, 81
842434M1	6210-RS	Ball	74, 81
71117404	6210-RS1/C3	Ball	70, 81
71117404V	6210-RS1/C3	Ball	69, 81
3734238M1	6210ZZC3	Ball	70, 81
195493V1	6210ZZNR	Ball	70, 81



# Index

Listed in Ascending Order by Manufacturer Part No.

AGCO Part No.	Manufacturer Part No.	Bearing Type	Page No.
72513918	6211	Ball	70, 81
834851M1	6211 NR/C3	Ball	70, 81
1692601M1	6211.C3.J22R	Ball	70, 81
71179458	6211-2RS1C3	Ball	70, 81
831187M1	6211-2RS1C3	Ball	70, 81
832544M2	62112RSNR	Ball	70, 81
195507M1	6211-Z	Ball	70, 81
195507V1	6211-Z	Ball	70, 81
831186M1	6211-Z	Ball	70, 81
71363435	6212 2RS1	Ball	71, 82
353034X1	6212 2RS1	Ball	71, 82
832811M1	6212 2RS1	Ball	71, 82
3734221M1	6212C3	Ball	71, 82
165971A	6212-NR	Ball	71, 82
12365	6212-RS1	Ball	71, 82
1051469M1	6212ZC3	Ball	71, 82
71370205	6213-2RS1	Ball	71, 82
833373M1	6213-2RS1	Ball	71, 82
1109090	6214	Ball	71, 82
1130642	6214N	Ball	71, 82
1109091	6215 C3	Ball	71, 82
W9112830	62152RSGA2	Ball	71, 82
833195M1	6215-2Z	Ball	71, 82
1109092	6215N	Ball	71, 82
842046M1	6215-Z	Ball	71, 82
1109093	6216	Ball	71, 82
1109094	6217	Ball	71, 82
832316M1	6217 Z3C/2A	Ball	72, 82
W9112640	6217LLU/2A	Ball	72, 82
1109096	6219	Ball	72, 82
72090062	62208 2RS1C3	Ball	68, 82
10A27972	623S	Cone	132, 154
72100528	6273-1803-00-1	Thrust	206, 207
831982M1	62M-2ZP	Flangette	230
834738M1	62MS	Flangette	231
71369864	62MS-19YZP	Flangette	233
50534B	62MS-C1	Flangette	231
Y50534	62MS-C1	Flangette	231
Y710293	62MST-ZP	Flangette	230
B1647	6302	Ball	63, 82
1104671	6302 RS	Ball	63, 82
3435718M1	6302-2RS1	Ball	63, 82
74253868	6303-C3 Z14	Ball	63, 82
71135350V	6303LLUC3/5C	Ball	64, 82



# Index

Listed in Ascending Order by Manufacturer Part No.

AGCO Part No.	Manufacturer Part No.	Bearing Type	Page No.
71135350	6303LLUC3/5C	Ball	64, 82
72104040	6304	Ball	64, 82
1440506X1	6304	Ball	64, 82
1136432	6304.2RSR.C3.J22R	Ball	64, 82
74044210	6304LU	Ball	64, 82
WT9480	6305	Ball	65, 82
834210M1	6305 RSC4	Ball	65, 82
70067916	6305/C3	Ball	65, 82
833757M1	6305-2RS SPH	Ball	73, 82
1139002	63052RSC3GA2	Ball	65, 82
1069263M1	6305LLUC3/5C	Ball	65, 82
W9111900	6305NR	Ball	65, 82
832305M1	6305-RS1	Ball	65, 83
1123665	6305ZR.C3	Ball	65, 83
70097088	6306 NRJ	Ball	66, 83
AG510343	6306-2RLD	Ball	66, 83
834533M1	6306-2RS	Ball	73, 83
1139003	6306-2RS1/C3	Ball	66, 83
1139003V	6306-2RS1/C3	Ball	66, 83
1122281	6306C3	Ball	66, 83
354920V1	6307 2RS	Ball	67, 83
354920X1	6307 2RS	Ball	67, 83
2389930	6307C3	Ball	67, 83
72092851	6307NR	Ball	67, 83
72100175	6308	Ball	68, 83
15895	6308 2RS/C3	Ball	67, 83
832982M1	6308 2RS/C3	Ball	68, 83
700718362	6308 2RS1NTN9/C4	Ball	68, 83
31-1588410	6308-2RS	Ball	74, 83
834988M1	6308-RS1	Ball	68, 83
832450M1	6309 RS	Ball	68, 83
700721594	6309-2RS1C3	Ball	68, 83
700721594V	6309-2RS1C3	Ball	68, 83
834869M1	6309-2RS1C3	Ball	68, 83
3734275M1	6309C3	Ball	68, 83
1109136	6309N/C3	Ball	68, 83
71154852	6310	Ball	70, 83
71195912	6310-2RS	Ball	70, 83
834880M1	6310ZZNR	Ball	70, 83
842529M1	6311-2NSL	Ball	74, 83
71340495	6311-2RS1/C3	Ball	70, 83
71398331	6311-2RS1/C3GJN	Ball	70, 83
103633W1	6311ZC3	Ball	70, 83
1109147	6312NR	Ball	71, 83



# Index

Listed in Ascending Order by Manufacturer Part No.

AGCO Part No.	Manufacturer Part No.	Bearing Type	Page No.
844490M1	6313-2RS	Ball	74, 83
72090065	6313C3	Ball	71, 83
UT9007	632	Cup	143, 154
70937175	633	Cup	143, 154
3734357M1	6405	Ball	65, 83
3724538M1	6409	Ball	69, 83
AG721070	6420	Cup	144, 158
70937174	643	Cone	132, 154
UT9008	643	Cone	132, 154
AG711900	64450	Cone	138, 168
AG721071	6461A	Cone	134, 158
AG711901	64700	Cup	148, 168
504225M1	65237	Cone	138, 169
AG706906	65237-A	Cone	138, 169
70937173	6535	Cup	144, 158
72162537	6535	Cup	144, 158, 181, 186
843685M2	6535	Cup	144, 158
1J-2860	6535#CA	Cup	144, 158
70930870	6536	Cup	144, 158
504221M1	65500	Cup	148, 169
AG706914	65500	Cup	148, 169
983687	65501	Cup	148, 169, 181, 186
70930869	6559C	Cone	134, 158
843684M1	6580	Cone	134, 158
501482E	66462	Cup	148, 169
8050213	66583 / 66520	Tapered Asy.	181, 186
163609A	672	Cup	143, 154
7713860	67322	Cup	148, 169
71314481	67390	Cone	139, 169
7713878	67391	Cone	139, 169
70933953	67675	Cup	148, 169
163608A	681	Cone	132, 154
1171767	6811	Ball	70, 83
AG012658	68462	Cone	139, 169
AG012666	68712	Cup	148, 169
7713829	6901P	Cam	214, 215
7040652	6904	Ball	64, 83
72099498	6911 LLBC3/2E	Ball	70, 83
831940M1	6977	Cam	214, 215
832251M1	70 BC 10	Ball	71, 83
H202719C91	7031-6V	Cam	214, 215
669533M1	7042	Cam	214, 215
70211593	7098	Cone	134, 159
50112	7100	Cone	134, 159



# Index

Listed in Ascending Order by Manufacturer Part No.

AGCO Part No.	Manufacturer Part No.	Bearing Type	Page No.
13851X	7109	Ball	63, 84
50104	7196	Cup	144, 159
833349M1	72 M 2	Flangette	230
163733	72- Special	Flangette	233
10A6714	7204	Cup	144, 159
AG059088	72200C	Cone	139, 170
72162244	72212C	Cone	139, 170
1703792	72274VTE86	Cam	214, 215
72162245	72487	Cup	148, 170
541388M2	72MM-3ZP	Flangette	231
842453M1	72MM-3ZP	Flangette	233
71370634	72MS-15YZP	Flangette	233
700717509	72MS-2YZP	Flangette	231
712612B	72MS-6	Flangette	233
051417P	72MS-C1	Flangette	231
51987	72MST	Flangette	230
71370130	72MS-ZP	Flangette	231
982374	742	Cup	143, 154
7714322	743	Cup	143, 154
843626M2	744	Cone	132, 154
AG520699	74550	Cone	139, 170
7035777	74600-150	Needle	193, 196
AG520700	74850	Cup	148, 170
833877M1	7488	Ball	64, 84
7713886	749	Cone	132, 155
982384	750A	Cone	132, 155
700706034	752	Cup	143, 155
70930868	752AA	Cup	143, 155
700706030	755	Cone	132, 155
700706033	759	Cone	132, 155
581318M91	7623	Cam	214, 215
443342M2	7651RH	Cam	214, 215
KS5045	7712235	Needle	194, 196
700705612	7811E	Cam	214, 215
AG028446	78214	Cone	139, 170
AG028448	78225	Cone	139, 170
AG028447	78551	Cup	148, 170
70541725	7890	Cam	214, 215
700715744	792	Cup	143, 155
700715742	799	Cone	132, 155
70207570	7A	Cup	142, 151
1905676M1	7AC10-1.15/16D1V1	Disc Harrow	103, 105, 107, 110, 113, 114, 238
70594491	7AS11-1.1/2D1V2	Disc Harrow	102, 105, 112, 114
1905678M1	7AS11-1.1/2V1	Disc Harrow	102, 105, 106, 107, 108, 109



# Index

Listed in Ascending Order by Manufacturer Part No.

AGCO Part No.	Manufacturer Part No.	Bearing Type	Page No.
Y428896	80	Flangette	233
428979	80 - Special	Flangette	233
70569556	80MM	Flangette	232
834116M1	80MM	Flangette	232
831781M1	80MM-4 ZP	Flangette	233
W238483B	80MM-4GPR	Flangette	232
W238482B	80MM-4GRLZ	Flangette	232
050575P	80MS	Flangette	232
70586145	80MSA	Flangette	232
832651M1	81119600	Ball	63, 84
3643338M1	81119700	Disc Harrow	104, 113, 114
Y710392	8212TN	Ball	65, 84
7714660	8386TN	Ball	72, 84
72161843	83A551B	Roller	121, 124
70540922	8583	Cam	214, 215
EP6577	85MM-4GZPLZ	Flangette	232
842049M1	85MM-ZP	Flangette	233
842304M1	85MS-S6	Flangette	232
71324230	88107 2RR4C3 GA2	Ball	67, 84
842990M1	88107BVVN2	Ball	67, 84
W158363A	88128 GGN	Ball	67, 84
W509598E	8821	Cam	214, 215
832628M1	88506A	Ball	66, 84
AG000057	88506A	Ball	66, 84
1023219M3	90091649	Needle	194, 196
150662M1	9067	Cone	134, 159
70209925	9074	Cone	134, 159
70800186	9081	Cone	134, 159
71138464	90MS-ZP	Flangette	232
833612M1	9103KD	Ball	63, 84
700703796	9121	Cup	144, 158
700703797	9185	Cone	134, 158
70211897	9195	Cup	144, 159
70209984	9196	Cup	145, 159
78551332	9320	Cup	144, 159
700706029	9321	Cup	144, 159
71114824	93524NA	Needle	193, 196
WSL2518	93524NAH	Needle	193, 196
W9110190	93728	Needle	194, 196
78551324	9378	Cone	134, 159
700706027	9386H	Cone	134, 159
833476M1	94440NA	Needle	193, 196
K4650	94524	Needle	193, 196
K4650V	94524	Needle	193, 196



# Index

Listed in Ascending Order by Manufacturer Part No.

AGCO Part No.	Manufacturer Part No.	Bearing Type	Page No.
K4650V	94524	Needle	193, 196
832719M1	94628NA	Needle	193, 196
W20H481	94632NA	Needle	193, 196
70507451	94732	Needle	194, 196
WZ6207	94828-NAH	Needle	194, 196
290030	9727	Cam	214, 215
1053218M91	990014 (1220 / 1280)	Tapered Asy.	178, 186
70204829	A0801	Thrust	205, 207
70204829V	A0801	Thrust	205, 207
71131262	A0899-2	Thrust	204, 207
74253527	A0899-3	Thrust	204, 207
833573M1	A140524	Needle	193, 196
1751676M1	A-2194	Thrust	204, 207
831788M1	A2256_31	Thrust	205, 207
70235079	A2256-1	Thrust	205, 207
833084M1	A2287-1	Thrust	205, 207
834602M1	A2287-31	Thrust	205, 207
833085M2	A-2336-147	Thrust	205, 208
KS5022	A2469	Thrust	205, 208
100565A	A-2469-3	Thrust	204, 208
30-3056287	A-2526-11	Thrust	205, 208
833081M1	A-2583-47	Thrust	205, 208
716281	A3535	Thrust	205, 208
842370M1	A3544	Thrust	205, 208
256179M1	A-3552	Thrust	205, 208
256179V1	A-3552	Thrust	205, 208
30-3056309	A3560-25	Thrust	205, 208
72160033	A3803	Thrust	205, 208
74917382	A6075	Cone	134, 158
74917194	A6157	Cup	144, 158
10A14364	A6162	Cup	144, 158
1142452	AEL206	Wide Inner Ring	92, 96, 222
3734404M1	AELPFL206W3	Housed Unit	222
6660460	AELS206-103-NW3	Wide Inner Ring	90, 95
7474-2	AG1100S	Flangette	231
70330133	Allis-Chalmers Disc Harrow Asy.	Disc Harrow	105
71378740	B/P 12904	Housed Unit	224
1000251M1	B-108	Needle	192, 196
1000251V1	B-108	Needle	192, 196
195197M1	B-1210	Needle	192, 196
195196M1	B-1210-OH	Needle	192, 196
195513M1	B-1212	Needle	192, 196
832339M1	B-1212-OH	Needle	192, 196
834053M1	B-126	Needle	192, 196





# Index

Listed in Ascending Order by Manufacturer Part No.

AGCO Part No.	Manufacturer Part No.	Bearing Type	Page No.
831529M1	B-128	Needle	192, 197
74253262	B-1416-OH	Needle	192, 197
156568A	B-146	Needle	192, 197
835134M1	B-148	Needle	192, 197
8050536	B-1616-OH	Needle	193, 197
833846M1	B-168	Needle	193, 197
832804M1	B-1710	Needle	193, 197
831244M1	B-1816	Needle	193, 197
831411M1	B-188	Needle	193, 197
833083M1	B-2012-OH	Needle	194, 197
831224M1	B-2016	Needle	194, 197
700705429	B-2020-OH	Needle	194, 197
70255693	B-228	Needle	194, 197
72161722	B-2416-OH	Needle	194, 197
831415M1	B-2420	Needle	194, 197
70932891	B-248	Needle	194, 197
7710262	B24-L	Thrust	204, 208
167751A	B-2610	Needle	194, 197
833275M1	B-2816-OH	Needle	194, 197
842041M1	B-3012	Needle	195, 197
831220M1	B-3216	Needle	195, 197
1611064M1	B-328	Needle	195, 197
833717M1	B-3416	Needle	193, 197
7458-6	B-3424-DOH	Needle	195, 197
1612725M1	B-348	Needle	195, 197
833193M1	B-3620	Needle	195, 197
832487M1	B-86	Needle	192, 197
831535M1	B-88	Needle	192, 197
831246M2	BA 4420 Z	Needle	195, 197
833260M1	BA2416ZOH	Needle	194, 197
834014M1	BA4412Z	Needle	195, 197
831296M1	BA4416	Needle	195, 197
700714310	BAH-0013	Roller	123, 124
831231M1	BAM-2012	Needle	194, 197
831231V1	BAM-2012	Needle	194, 197
71126056	BBY-5549	Ball	63, 84
3910739	BD35-12DU8A	Ball	66, 84
KS5016	BH-2216	Needle	194, 197
843277M1	BHAM1816	Needle	193, 197
3613200M1	BHTM3030-OH	Needle	193, 197
17703	BL205	Ball	65, 84
KS5003	BL208NR	Ball	68, 84
70231175	BL211ZNRC3	Ball	70, 84
834169M1	BL305LU/2A	Ball	65, 84



# Index

Listed in Ascending Order by Manufacturer Part No.

AGCO Part No.	Manufacturer Part No.	Bearing Type	Page No.
834470M1	BL308ZZNP/2A	Ball	68, 84
1037228M91	BS219282	Pillow Block	221
1A60065	BS221177	Pillow Block	221
11407	BS221261L1	Ball	73, 84
11407V	BS221261L1	Ball	73, 84, 91, 95
70575154	BS223193	Ball	73, 84
4353209	BT1B332986Q	Tapered Asy.	180, 186
72255684	BT1B639405	Tapered Asy.	178, 186
HA24967	BY409941	Housed Unit	224
70246398	C202616	Needle	194, 197
157488A	C222820	Needle	194, 197
844575M1	C30615C	Wide Inner Ring	91, 95
196167M1	CBK 287A	Thrust	204, 208
196167V1	CBK 287A	Thrust	204, 208
31-2551220	CCFH-1-S-1	Cam	214, 215
700703946	CCFH21/2SB	Cam	214, 215
6565139	CCFHL21/2SB1	Cam	214, 215
700710526	CF13/4-S	Cam	214, 215
843150M1	CF1-3/4SZZ	Cam	214, 215
01148SR	CF-13/8	Cam	214, 215
31-1825200	CF-1-S-56	Cam	214, 215
834163M1	CFE-2-1/4-S-1	Cam	214, 215
843770M2	CFH1-1/4SB	Cam	214, 215
700711707	CFH13/4S	Cam	214, 215
7713837	CFH2S	Cam	214, 215
8050866	CFL11/4SB	Cam	214, 215
70271515	CR-10	Cam	214, 215
17323	CR-1-1/4-XC	Cam	214, 215
832477M1	CRS-16	Cam	214, 215
710426	CRS-26	Cam	214, 215
293011M1	CS 205D1LLRV1	Ball	73, 84
831091M1	CS202LLU/2A	Ball	73, 84
832009M1	CS203LLU	Ball	73, 84
353152X1	CS204LLU	Ball	74, 84
831112M1	CS205LLU	Ball	73, 84
831822M1	CS207LLU	Ball	73, 84
831822V1	CS207LLU	Ball	73, 84
832087M1	CS208LLU	Ball	74, 84
831134M1	CS209LLU	Ball	74, 84
833741M1	CS210LLU	Ball	74, 84
834676M1	CS212D1V2	Ball	74, 84
834871M1	CS213D1V2	Ball	74, 84
831861M1	CS307LLU	Ball	74, 84
842079M1	CS309LLU_2A	Ball	74, 84



# Index

Listed in Ascending Order by Manufacturer Part No.

AGCO Part No.	Manufacturer Part No.	Bearing Type	Page No.
50377	CS3574X6	Ball	62, 84
892862M3	CT1310 ARSEDCS23	Thrust	205, 208
3702563M1	CT55B L1GUN	Thrust	205, 208
3700527M1	CTS64SA	Thrust	205, 208
7714868	CYR-11/4-S	Cam	214, 215
71141240	D3300-13DSI	Ball	72, 84
854003	DAC1640442RSL	Ball	64, 84
SN5956	DC 211 TTR25N / 2A	Disc Harrow	102, 110, 114
1067542M1	DC205TTB	Disc Harrow	102, 112, 114
EP5403	DC211TTR4	Ball	62, 84
EP5403	DC211TTR4	Ball	62, 84
844165M1	DD34351	Needle	193, 197
700720050	DF0109LLPX1/L657#01	Cam	214, 215
700709106	DF0654LLUC4/5C	Ball	66, 84
SNYYB3471	DHU1 1/8 S209	Disc Harrow	104, 110, 113, 114
W238799B	DHU1 1/8 S209	Disc Harrow	104, 108, 111, 113, 114
700700613	DHU1-1/2R209	Disc Harrow	104, 108, 109, 111, 113, 114
70347918	DISC HARROW BRG ASY	Disc Harrow	105
SN3090	DISC HARROW BRG ASY	Disc Harrow	110
447899M1	DS208TT12B	Disc Harrow	103, 106, 107, 108, 109
552-204	DS208TT13	Disc Harrow	103, 106, 110, 111, 114, 238
W221184B	DS208TT14	Disc Harrow	103, 107, 111, 112, 114
1R41009	DS208TT5	Disc Harrow	103, 107, 114
W20H5836	DS208TTR6	Disc Harrow	103, 110, 113, 114, 238
835050M4	DS209TT2	Disc Harrow	103, 109, 113, 114
70430480	DS211TT2	Disc Harrow	103, 106, 109, 114
3643382M1	DS211TT23	Disc Harrow	104, 113, 114
15699	E-9	Thrust	204, 208
71158140	EE3S Z	Ball	62, 85
833383M1	EE6	Ball	64, 85
1261539	EX10529	Thrust	205, 208
7739-25	F3U239H/K15	Housed Unit	226
50237	F3Y228N	Housed Unit	225
742144V	F3Y228N	Housed Unit	225
6656237	F7ZZ-7548-AA	Thrust	204, 208
831263M1	FA-17934	Thrust	204, 208
185379M1	FA-22886-R	Thrust	204, 208
AG515946	FC4-25-1 1/2	Housed Unit	224
SNFK311007	FD2091-1/4 SQ	Disc Harrow	104, 110, 113, 115
W238813B	FD209TTREN/3A	Disc Harrow	104, 107, 111, 113, 115
SN3215	FD209TTRJN/3AS	Disc Harrow	104, 106, 110, 113, 115
SNRT160715	FH207-22	Wide Inner Ring	92, 95
SNDR30022	FHR208-24	Wide Inner Ring	90, 95
2403570W1	FLU210D1	Housed Unit	222



# Index

Listed in Ascending Order by Manufacturer Part No.

AGCO Part No.	Manufacturer Part No.	Bearing Type	Page No.
714154	FRW222E	Housed Unit	223
714394	FRY2E20N	Housed Unit	223
7710155	FRYG228N	Housed Unit	225
31-1741070	FY 1 3/8 WM	Housed Unit	224
743634	FY 1.375 FM	Housed Unit	224
743635	FY 1.5 FM	Housed Unit	224
743636	FY1-3/4FM	Housed Unit	225
NX16030	FY508	Housed Unit	224
18071	FY-55-TF	Housed Unit	225
N17341	FYM 2-1/2 TM	Housed Unit	226
1177126	G0117M7126C	Needle	195, 197
1177127	G0117M7127C	Needle	195, 198
4309044	G0430M9044C	Needle	195, 198
70583925	G100MSA-2ZP	Flangette	232
70583924	G100MSB-ZP	Flangette	232
12628	G1101KRRB	Wide Inner Ring	92, 95
Y711465	G1103KRRB + COL	Wide Inner Ring	92, 95
7745-17	G1103KRRB3	Wide Inner Ring	93, 95
Y710434	G1104KRRB + COL	Wide Inner Ring	93, 95, 220
711879	G1106KPPB2 + Col	Wide Inner Ring	224
N12979	G1106KPPB2 L/C	Wide Inner Ring	93, 96
12640	G1106KRRB	Wide Inner Ring	93, 96, 222, 224
843387M1	G1107KRRB/COL	Wide Inner Ring	93, 96
10970	G1108KRRB	Wide Inner Ring	93, 96, 221
831876M1	G1112KRR "A" COL	Wide Inner Ring	90, 96
22602X	G1115KRRB + COL	Wide Inner Ring	93, 96, 222, 225
15862V	G1211KRRB + Col	Wide Inner Ring	226
15862	G1211KRRB + COL	Wide Inner Ring	94, 96
7714603	G206KRRB6	Ball	73, 85, 237
71307584	G62MSA-6ZP	Flangette	231
71307583	G62MSB-3ZP	Flangette	231
Y712620	G72MSA-5YZP	Flangette	233
Y711440	G72MSB-5YZP	Flangette	233
70586144	G80MSA	Flangette	232
290237	G80MSB-6YZP	Flangette	232
664837M91	G85MSA-S7	Flangette	232
EP6578	G85MSB-YZP	Flangette	232
700721325	G90MSA-YZP	Flangette	232
700721326	G90MSB-YZP	Flangette	232
KS5042	GB-1616	Needle	193, 198
KS5041	GB-2212	Needle	194, 198
Y711895	GC1103KRRB + COL	Wide Inner Ring	93, 96
711846	GC1104KRRB	Wide Inner Ring	93, 96, 222
711853	GC1106KRRB + COL	Wide Inner Ring	93, 96



# Index

Listed in Ascending Order by Manufacturer Part No.

AGCO Part No.	Manufacturer Part No.	Bearing Type	Page No.
17294	GC1108KRRB	Wide Inner Ring	93, 96
N17294	GC1108KRRB + COL	Wide Inner Ring	93, 96
7710015	GC1112KRRB + Col	Wide Inner Ring	93, 96, 225
842608M1	GC1203KRRB	Wide Inner Ring	94, 96, 225
3734161M1	GE40KRRB + COL	Wide Inner Ring	93, 96, 222
700721328	GN108KRRB + Col	Wide Inner Ring	225
2552530W1	GN207KRRB + COL	Wide Inner Ring	94, 96
104565A	GR 36 N	Needle	195, 198
70590711	GRA103RRB2	Wide Inner Ring	93, 96, 220
843332M1	GRA103RRB2 + COL	Wide Inner Ring	93, 96
843636M1	GRA108RRB + COL	Wide Inner Ring	93, 96, 220, 221
15735	GRA200RRB W/COL	Wide Inner Ring	94, 96
700701712	GRAE40RRB + COL	Wide Inner Ring	93, 96
1905672M1	GW208PP17	Disc Harrow	102, 106, 108, 111, 113, 115
70586143	GW208PPB29	Ball	73, 85, 104, 105, 113, 115
1905667M1	GW208PPB5	Disc Harrow	103, 105, 108, 113, 115, 238
8050056	GW209PPB11 PRB	Disc Harrow	104, 108, 113, 115, 238
1905682M1	GW209PPB2	Disc Harrow	104, 107, 110, 113, 115, 238
EP6576	GW209PPB4	Disc Harrow	104, 107, 108, 109, 113, 115
SN1829	GW209PPB4	Disc Harrow	104, 110, 113, 115
70589573	GW209PPB5	Ball	74, 85, 104, 106, 109, 111, 113, 115
1905675M1	GW209PPB8	Disc Harrow	104, 109, 113, 115
1905677M1	GW210PP4	Disc Harrow	102, 105, 112, 115, 238
3634465M1	GW211PP17	Disc Harrow	102, 108, 112, 115
SN3091	GW211PP25-GX	Disc Harrow	102, 110, 112, 115
1905679M1	GW211PP3	Disc Harrow	102, 105, 106, 108, 111, 112, 115
1905683M1	GW211PPB2	Disc Harrow	104, 106, 111, 113, 115, 238
1064283M1	GW211PPB8	Disc Harrow	104, 107, 108, 109, 111, 115
1905681M1	GW211PPB9	Disc Harrow	104, 108, 113, 115, 238
W247167B	H204RR11	Ball	63, 85
70177358	H414242	Cone	140, 172
833051M1	H715311	Cup	150, 174
984264	H715311A	Cup	150, 174
AG706710	H-715311PW-2	Cup	150, 174
2D-9454	H715311PW2#CA	Cup	150, 174
834594M1	H715332	Cone	140, 174
843351M2	H715348	Cone	140, 174
SNRT160500	HC208-24	Wide Inner Ring	93, 96, 224
SNRT160600	HC209-28	Wide Inner Ring	93, 96
SNRT160714	HCFS208-24	Housed Unit	224
SN10132	HCP207-23	Pillow Block	220
70247158	HH506311	Cup	149, 172
984151	HH506311/HH5063	Tapered Asy.	180, 186
70643276	HH506348	Cone	140, 172



# Index

Listed in Ascending Order by Manufacturer Part No.

AGCO Part No.	Manufacturer Part No.	Bearing Type	Page No.
1021790M1	HJ-142212	Needle	193, 198
101692A	HJ-223016	Needle	194, 198
713727	HJ-223020	Needle	194, 198
700719447	HJ-243320-RS	Needle	194, 198
3020679M1	HK2516	Needle	193, 198
1610217M1	HK303712	Needle	194, 198
70680631	HM212010	Cup	149, 171
70634567	HM212011	Cup	149, 171
70087027	HM212046	Cone	139, 171
70931012	HM212049	Cone	139, 171
72162345	HM218210	Cup	149, 172
72162346	HM218238	Cone	139, 172
70928056	HM218248	Cone	139, 172
70633711	HM516410	Cup	149, 173
984172	HM516442	Cone	140, 173
984173	HM516447	Cone	140, 173
70929726	HM516448	Cone	140, 173
10A21422	HM516449C	Cone	140, 173
72163098	HM607098	Cone	141, 176
70932975	HM801310	Cup	150, 175
72162895	HM801346	Cone	141, 175
70932973	HM801349	Cone	141, 175
71160044	HM803110	Cup	150, 175
70936041	HM803111	Cup	150, 175
984323	HM803111/HM803149	Tapered Asy.	179, 186
831765M1	HM803145	Cone	141, 175
843034M1	HM803146	Cone	141, 175
70929834	HM803149	Cone	141, 175
831047M1	HM804810	Cup	150, 175
AG026480	HM804810	Cup	150, 175
AG707120	HM804842	Cone	141, 175
12672	HM804843	Cone	141, 175
AG026478	HM804843	Cone	141, 175
15306	HM804846	Cone	141, 175
AG028807	HM804846	Cone	141, 176
7445-29	HM804848	Cone	141, 176
984335	HM804849	Cone	141, 176
831205M1	HM807010	Cup	150, 176
AG705242	HM807010	Cup	150, 176
AG706697	HM807010	Cup	150, 176
71356528	HM807010 / HM807040	Tapered Asy.	180, 186
3405341M91	HM807010/HM807046	Tapered Asy.	180, 186
70930427	HM807011	Cup	150, 176
832588M1	HM807040	Cone	141, 176



# Index

Listed in Ascending Order by Manufacturer Part No.

AGCO Part No.	Manufacturer Part No.	Bearing Type	Page No.
1295784	HM807044	Cone	141, 176
70934840	HM807046	Cone	141, 176
AG705243	HM807046	Cone	141, 176
831767M1	HM813810	Cup	150, 176
AG604444	HM813810	Cup	150, 176
78001335	HM813841	Cone	141, 176
AG026479	HM813842	Cone	141, 176
AG604443	HM813846	Cone	141, 176
843654M1	HM81610	Cup	148, 170
843656M1	HM81649	Cone	139, 170
831486M1	HM88510	Cup	148, 170
EB5026A	HM88511	Cup	148, 170
831487M1	HM88542	Cone	139, 170
70933015	HM88547	Cone	139, 170
7710106	HM88610	Cup	148, 170
70246941	HM88630	Cone	139, 170
7710114	HM88649	Cone	139, 170
212609M1	HM89410	Cup	148, 171
70244195	HM89411	Cup	148, 171
70244162	HM89446	Cone	139, 171
165761A	HM89448	Cone	139, 171
70927953	HM89449	Cone	139, 171
185778M1	HM903210	Cup	150, 177
AG702946	HM903210	Cup	150, 177
1850090M92	HM903249	Tapered Asy.	141, 150, 177, 180, 186
1850090V92	HM903249	Tapered Asy.	141, 177, 180, 186
831888M1	HM903249	Cone	141, 177
30-3214613	HM903249 90013	Tapered Asy.	180, 186
71166366	HP93316 R1	Needle	192, 198
71139943	HP93416NA	Needle	192, 198
195191M1	HP94516	Needle	193, 198
842704M1	HPS100GPN	Disc Harrow	103, 112, 115
700703236	HT90MS-4ZP	Flangette	233
8050544	IR-1224	Needle	192, 198
834068M1	J-1812	Needle	193, 198
843032M1	J-2616	Needle	194, 198
71189834	J-3016	Needle	195, 198
70211537	J32-1640	Needle	193, 198
30-3088847	J-3616	Needle	195, 198
70250333	J7134	Needle	193, 198
6215759	JEL207D1	Wide Inner Ring	93, 96
1077406M1	JH-1110	Needle	192, 198
833246M1	JH-2016-D	Needle	194, 198
70928069	JH211710	Cup	149, 171



# Index

Listed in Ascending Order by Manufacturer Part No.

AGCO Part No.	Manufacturer Part No.	Bearing Type	Page No.
70928064	JH211749	Cone	139, 171
AG723797	JH217210	Cup	149, 171
1P-5420	JH217210#CA	Cup	149, 171
1P-5419	JH217249	Cone	139, 171
74835826	JH2212	Needle	193, 198
70931024	JH307710	Cup	149, 172
843352M2	JH307710	Cup	149, 172
70931025	JH307749	Cone	139, 172
1612561M1	JH415610	Cup	149, 172
834816M1	JHM516810	Cup	149, 173
834815M1	JHM516849	Cone	140, 173
700715745	JHM522610	Cup	149, 173
700715743	JHM522649	Cone	140, 173
72527674	JHM534110	Cup	149, 173
72527672	JHM534149	Cone	140, 173
843691M1	JHM720210	Cup	150, 175
843690M1	JHM720249	Cone	140, 175
834522M1	JHM807012	Cup	150, 176
70933773	JHM807045	Cone	141, 176
31-1572030	JHT-2213	Needle	194, 198
71309975	JHTT-1618-OH	Needle	193, 198
15637	JL209-112D1	Wide Inner Ring	93, 96
70582091	JL69310	Cup	148, 169
SNYYB-332	JL69310	Cup	148, 169
70582092	JL69349	Cone	139, 169
SNYYB-330	JL69349	Cone	139, 169
14866	JLM104910	Cup	148, 171
N14866	JLM104910	Cup	148, 171
72162531	JLM104910 / JLM104948	Tapered Asy.	180, 186
X14867	JLM104948	Cone	139, 171
834829M1	JLM506810	Cup	149, 172
AG713019	JLM506810	Cup	149, 172
SNFK310063	JLM506810	Cup	149, 172
981074	JLM506810 JLM506849	Tapered Asy.	181, 186
834828M1	JLM506849	Cone	140, 173
AG713020	JLM506849	Cone	140, 173
SNFK310062	JLM506849	Cone	140, 172
700723853	JLM506849A	Cone	140, 173
70933017	JLM508748	Cone	140, 173
1054561M1	JLM704610	Cup	149, 174
1054560M1	JLM704649	Cone	140, 174
70930426	JLM710910	Cup	149, 174
981086	JLM710910/JLM710949C	Tapered Asy.	181, 186
70930424	JLM710949C	Cone	140, 174





# Index

Listed in Ascending Order by Manufacturer Part No.

AGCO Part No.	Manufacturer Part No.	Bearing Type	Page No.
70928857	JLM714110	Cup	150, 174
AG028804	JLM-714110	Cup	150, 174
70928858	JLM714149	Cone	140, 174
AG028803	JLM714149	Cone	140, 174
981095	JLM813010/JLM813049	Tapered Asy.	181, 186
71162782	JM205110	Cup	149, 171
71162781	JM205149	Cone	139, 171
72162619	JM205149/JM205110	Tapered Asy.	180, 186
70928285	JM207010	Cup	149, 171
70928284	JM207049	Cone	139, 171
70929396	JM511910	Cup	149, 173
AG720015	JM511910	Cup	149, 173
72162620	JM511910/JM511946	Tapered Asy.	181, 186
70929399	JM511946	Cone	140, 173
AG843470	JM511946	Cone	140, 173
70927348	JM515610	Cup	149, 173
72162622	JM515610 / JM515649	Tapered Asy.	181, 186
70927347	JM515649	Cone	140, 173
71162723	JM612910	Cup	149, 174
71162724	JM612949	Cone	140, 174
70930883	JM714210	Cup	150, 174
1214887	JM714210/JM714249	Tapered Asy.	181, 186
70930884	JM714249	Cone	140, 174
834951M1	JM716610	Cup	150, 174
AG706213	JM716610	Cup	150, 174
4336119	JM716648	Cone	140, 174
834950M1	JM716649	Cone	140, 174
981113	JM716649/JM716610	Tapered Asy.	182, 186
70937180	JM719113	Cup	150, 175
U12092	JM719113	Cup	150, 175
70937181	JM719149	Cone	140, 175
W981128	JM719149/JM719113	Tapered Asy.	182, 187
700703800	JM720210	Cup	150, 175
AG720089	JM720210	Cup	150, 175
981131	JM720210/JM720249	Tapered Asy.	182, 187
700703802	JM720249	Cone	141, 175
AG720088	JM720249	Cone	141, 175
70927349	JM822010	Cup	150, 176
AG706722	JM822010	Cup	150, 176
70927350	JM822049	Cone	141, 177
AG706721	JM822049	Cone	141, 177
843282M1	JT-1417	Needle	192, 198
1574600W1	JT-2013	Needle	194, 198
15196	JTT1414	Needle	192, 198



# Index

Listed in Ascending Order by Manufacturer Part No.

AGCO Part No.	Manufacturer Part No.	Bearing Type	Page No.
15196V	JTT1414	Needle	193, 198
3814488M2	K25x31x21H	Needle	193, 198
71162777	K3420	Cup	143, 156
72161792	K50X55X20H	Needle	195, 198
3613762M1	K55X63X25A	Needle	195, 198
12349	K85624	Cup	145, 159
AG517929	KFC2-25-1-1/4	Housed Unit	222
L517929	KFC2-25-1-1/4	Housed Unit	222
7711849	KP12A FS428	Ball	64, 85
71307332	KP12A-A2365	Ball	64, 85
K4727	KS10 FS160	Ball	63, 85
8050601	KSP10FS160	Ball	63, 85
843653M1	L225810	Cup	149, 172
843655M1	L225849	Cone	139, 172
31-1657250	L305610	Cup	149, 172
31-1657260	L305649	Cone	139, 172
70937216	L319210	Cup	149, 172
72163082	L319249 / L319210	Tapered Asy.	140, 149, 172, 182, 187
71326257	L44600LA-902A1	Tapered Asy.	137, 167, 178, 187
700710419	L44600LA-902A7	Tapered Asy.	178, 187
3636486M1	L44610	Cup	147, 167
832190M1	L44610	Cup	147, 167
SN777	L44610	Cup	147, 167
70341230	L44643	Cone	138, 167
SN776	L44643	Cone	137, 167
70926704	L44643 ASY90025	Tapered Asy.	178, 187
70926789	L44643 ASY90050	Tapered Asy.	178, 187
70937219	L44649	Cone	138, 167
70927434	L68111	Cup	148, 169
70927435	L68149	Cone	139, 169
843486M1	L812148	Cone	141, 176
70927957	L814710	Cup	150, 176
70927949	L814749	Cone	141, 176
35A8236	LL713010	Cup	150, 174
35A8235	LL713049	Cone	140, 174
70927273	LM102910	Cup	148, 171
70927270	LM102949	Cone	139, 171
70932928	LM104911	Cup	148, 171
70929740	LM104912	Cup	148, 171
983941	LM104947A/LM104911	Tapered Asy.	139, 171, 180, 187
70929742	LM104949	Cone	139, 171
70336914	LM11710	Cup	145, 159
70336915	LM11749	Cone	134, 159
711044	LM11900LA 902A1	Cone	134, 159



# Index

Listed in Ascending Order by Manufacturer Part No.

AGCO Part No.	Manufacturer Part No.	Bearing Type	Page No.
71179958	LM11900LA 902A1/LM11910	Tapered Asy.	181, 187
70328002	LM11910	Cup	145, 159
3636050M1	LM11910	Cup	145
AG608602	LM11910	Cup	145, 159
SN126	LM11910	Cup	145, 159
8050445	LM11910XL	Cup	145, 159
831055M1	LM11949	Cone	134, 159
AG608604	LM11949	Cone	134, 159
SN127	LM11949	Cone	134, 159
2513850W91	LM11949 ASSY 90013	Tapered Asy.	178, 187
8050437	LM11949XL	Cone	134, 159
70927436	LM12711	Cup	145, 160
70927437	LM12749	Cone	134, 160
15871	LM29700LA 902A1	Cone	136, 164
70555360	LM29710	Cup	146, 164
70555361	LM29749	Cone	136, 164
74357289	LM29749ASY 90013	Tapered Asy.	179, 187
70926702	LM48500LA 902A1	Cone	138, 168
70227666	LM48510	Cup	147, 168
70227666V	LM48510	Cup	147, 168
SN1603	LM48510	Cup	147, 168
831078M1	LM48548	Cone	138, 168
SN1602	LM48548	Cone	138, 168
700706124	LM48548-90038	Tapered Asy.	179, 187
74254699	LM501310	Cup	149, 172
SN1936	LM501310	Cup	149, 172
WR15494	LM501310	Cup	149, 172
74254700	LM501349	Cone	140, 172
SN1935	LM501349	Cone	140, 172
WR15488	LM501349	Cone	140, 172
AG027642	LM522510	Cup	149, 173
AG027643	LM522548	Cone	140, 173
3D-9133	LM545810#CA	Cup	149, 173
3D-9132	LM545849	Cone	140, 173
833094M1	LM603011	Cup	149, 173
SN3684	LM603011	Cup	149, 173
70937206	LM603012	Cup	149, 173
10A21845	LM603014	Cup	149, 174
833847M1	LM603014	Cup	149, 173
833095M1	LM603049	Cone	140, 174
SN3683	LM603049	Cone	140, 174
700712779	LM603049-90019	Tapered Asy.	180, 187
70240289	LM613410	Cup	149, 174
70240364	LM613449	Cone	140, 174



# Index

Listed in Ascending Order by Manufacturer Part No.

AGCO Part No.	Manufacturer Part No.	Bearing Type	Page No.
17050	LM67000LA	Cone	138, 169
70531251	LM67000LA 902A1	Cone	138, 169
70327997	LM67010	Cup	148, 169
3636054M1	LM67010	Cup	148, 169
843778M1	LM67010	Cup	148, 169
AG606918	LM67010	Cup	148, 169
SN1605	LM67010	Cup	148, 169
WR15493	LM67010	Cup	148, 169
70327382	LM67048	Cone	139, 169
AG605209	LM67048	Cone	138, 169
SN1606	LM67048	Cone	138, 169
W9112030	LM67048	Tapered Asy.	179, 187
WR15490	LM67048	Cone	138, 169
833633M91	LM67048-90041	Tapered Asy.	179, 187
4357806	LM7831OC/LM78349A	Tapered Asy.	179, 187
843382M1	LM806610	Cup	150, 176
843381M1	LM806649	Cone	141, 176
833242M1	LM814810	Cup	150, 176
AG706612	LM814810	Cup	150, 176
833241M1	LM814849	Cone	141, 176
AG706949	LM814849	Cone	141, 176
6215029	LR201RRU	Tapered Asy.	178, 187
72160419	M1211EL	Roller	121, 124
H458951R91	M12600LA 902A1	Cone	134, 160
70228153	M12610	Cup	145, 160
70228152	M12649	Cone	134, 160
72160722	M1309EL	Roller	121, 124
30-3300803	M1310EL	Roller	121, 124
72162233	M-14161	Needle	192, 198
70929401	M201011	Cup	148, 171
4303274	M201047	Cone	139, 171
832261M1	M-20201	Needle	194, 198
31-1593350	M-42161	Needle	195, 198
70058968	M6209	Ball	69, 85
831962M1	M6210C3	Ball	70, 85
842516M1	M6210C3	Ball	70, 85
832334M1	M6306	Ball	66, 85
70927091	M802011	Cup	150, 175
70927090	M802048	Cone	141, 175
70937162	M804010	Cup	150, 175
72162623	M804010/M804049	Tapered Asy.	180, 187
70937161	M804049	Cone	141, 175
1053223M91	M84210/M84249	Tapered Asy.	178, 187
8050262	M84510	Cup	148, 170



# Index

Listed in Ascending Order by Manufacturer Part No.

AGCO Part No.	Manufacturer Part No.	Bearing Type	Page No.
8050270	M84548	Cone	139, 170
834581M1	M86610	Cup	148, 170
1042596M1	M86610/M86649	Tapered Asy.	179, 187
1042596V1	M86610/M86649	Tapered Asy.	179, 187
4319391	M86647	Cone	139, 170
834580M1	M86649	Cone	139, 170
AG703846	M86649	Cone	139, 170
832927M1	M88010	Cup	148, 170
832926M1	M88048	Cone	139, 170
74996039	M903310	Cup	150, 177
74996043	M903345	Cone	141, 177
AG510149	MB 2303PL	Flangette	232
8050874	MCGILL#PCR-3-1	Cam	214, 215
195139M1	MH-10121	Needle	192, 198
195139V1	MH-10121	Needle	192, 198
832776M1	MH-20161-D	Needle	194, 198
15485	MH-20201	Needle	194, 199
707679	MR1209TV	Roller	121, 124
1440591X1	MR1307TV	Roller	120, 124
105434A	MR-20	Needle	194, 199
71193209	MR5206EL	Roller	120, 124
707698	MR5209EL	Roller	121, 124
71166797	MR5209EL	Roller	121, 124
31-1653360	MRC211M	Ball	70, 85
899377M2	MS.11.C4	Ball	65, 85
1139415	MSN1309EB	Roller	121, 124
8050635	MU1205TV	Roller	120, 124
11093	MU1206UM	Roller	120, 124
17288	MU1208UM	Roller	121, 124
11095	MU1209TM	Roller	121, 124
72160729	MU1209TV	Roller	121, 124
8050221	MU1305TM	Roller	120, 124
163715A	MU1309TM	Roller	121, 124
72514364	MU1309UV	Roller	121, 125
832440M1	N106KRRB	Wide Inner Ring	92, 96
15892	N108KRRB	Wide Inner Ring	92, 96
712539	N108KRRB + COL	Wide Inner Ring	92, 96
833809M3	N203KPPB2 L/C	Wide Inner Ring	92, 96
1137713	N208	Roller	121, 125
3282159M1	NAG#4906	Needle	193, 199
833462M1	NB-69	Needle	195, 199
834822M1	NF308	Roller	121, 125
1231526	NJ1015M1	Roller	122, 125
1117063	NJ205E.TVP2	Roller	120, 125



# Index

Listed in Ascending Order by Manufacturer Part No.

AGCO Part No.	Manufacturer Part No.	Bearing Type	Page No.
1139101	NJ206E.TVP2	Roller	120, 125
1117066	NJ207E.TVP2	Roller	120, 125
11484	NJ207ECP	Roller	121, 125
1274034	NJ208ECPC3	Roller	121, 125
71143657	NJ209	Roller	121, 125
1117071	NJ211E.TVP2	Roller	121, 125
1117154	NJ2305E.TVP2	Roller	120, 125
1442067X1	NJ2307	Roller	120, 125
72090832	NJ305E	Roller	120, 125
1101814	NJ307E.TVP2.C3	Roller	120, 125
3003369X1	NJ309	Roller	120, 125
392040X1	NJ310	Roller	121, 125
831200M1	NTA-1423	Thrust	204, 208
71166945	NTA-2233	Thrust	204, 208
10A8381	NTA-3648	Thrust	205, 208
103751A	NTA-3650	Thrust	205, 208
71173723	NTA-4052	Thrust	205, 208
833452M1	NTA-4458	Thrust	205, 208
71159478	NTA-5266	Thrust	206, 208
71161396	NTA-6074	Thrust	206, 208
832814M1	NTC-1427	Thrust	204, 208
168208A	NTH-4066	Thrust	205, 208
3387381M1	NU1007ECP	Roller	121, 125
1117245	NU1014M1	Roller	121, 125
74255338	NU205E	Roller	120, 125
3734345M1	NU207C3	Roller	120, 125
1137013	NU209NETVP2	Roller	121, 125
EE360	NU212	Roller	121, 125
70211700	NU303ECP	Roller	120, 125
30-3473759	NU304	Roller	120, 125
11083	NU3209	Roller	121, 125
72103437	NUP205E.TVP2	Roller	120, 125
3734344M1	NUP207	Roller	120, 125
1177959	NUP207E.TVP2	Roller	120, 125
3734346M1	NUP208C3	Roller	121, 125
1104028	NUP210E.TVP2	Roller	121, 125
3003372X1	NUP-211	Roller	121, 125
1103594	NUP211E.TVP2	Roller	121, 125
1117298	NUP212E	Roller	121, 125
1137462	NUP214E.TVP2	Roller	122, 125
72094326	NUP2203E.TVP2	Roller	120, 125
1102016	NUP2204E.TVP2	Roller	120, 125
1102340	NUP2208E.TVP2	Roller	121, 125
3734348M1	NUP2211	Roller	121, 125



# Index

Listed in Ascending Order by Manufacturer Part No.

AGCO Part No.	Manufacturer Part No.	Bearing Type	Page No.
1117358	NUP2305E.TVP2	Roller	120, 125
1117309	NUP307E.TVP2	Roller	120, 125
1117311	NUP309ECP	Roller	121, 126
4311632	NUP310E.M1	Roller	121, 126
700707402	P200PP Z10	Ball	62, 85
H467146R91	P205P Z3	Ball	65, 85
70804501	P304K Z5	Ball	65, 85
AG707875	P3W216U	Pillow Block	221
7738-6	P3Y220N	Pillow Block	220
7738-16	P3-Y228N	Pillow Block	221
W15A13979	P94632	Needle	193, 199
SN2906	PAWT204 RA	Disc Harrow	110
7494-5	P-B22428H	Pillow Block	221
7494-7	P-B22447H	Pillow Block	221
7494-6	PE-B22439H	Pillow Block	221
7738-14	PL3W224U	Pillow Block	220
833905M1	R 14	Ball	65, 85
552-008	RA008RRB + COL	Wide Inner Ring	91, 96
833447M1	RA010RR + COL	Wide Inner Ring	90, 96
11360	RA010RRB	Wide Inner Ring	91, 96
710632	RA010RRB	Wide Inner Ring	91, 96
Y50443	RA012RR + COL	Wide Inner Ring	90, 96
353114X1	RA012RRB + COL	Wide Inner Ring	91, 96
K3300	RA014RR L/C	Wide Inner Ring	90, 96
70547628	RA100RR + COL	Wide Inner Ring	90, 96
353128X1	RA101RR + COL	Wide Inner Ring	90, 96
70590610	RA102RR + COL	Wide Inner Ring	90, 96
70590709	RA102RRB	Wide Inner Ring	91, 97, 222
70590704	RA102RRB L/C	Wide Inner Ring	91, 97
51672	RA103RR2 + COL	Wide Inner Ring	90, 97
K3538	RA103RR2 L/C	Wide Inner Ring	90, 97
710871	RA104RR L/C	Wide Inner Ring	90, 97
10033	RA104RRB L/C	Wide Inner Ring	91, 97
51813	RA106RR + COL	Wide Inner Ring	90, 97
8050080	RA106RR L/C	Wide Inner Ring	90, 97
50021	RA106RRB + COL	Wide Inner Ring	92, 97, 223
70547444	RA107RRB + Col	Wide Inner Ring	92, 97, 224
8050825	RA108RR L/C	Wide Inner Ring	90, 97
Y713198	RA108RRB3 + COL	Wide Inner Ring	92, 97
842874M1	RA109RRB + COL	Wide Inner Ring	92, 97
832746M1	RA110RRB/COL	Wide Inner Ring	92, 97
7711294	RA112RR + COL	Wide Inner Ring	90, 97
51318	RA112RRB + Col	Wide Inner Ring	92, 97, 225
71138465	RA114RRB+COL	Wide Inner Ring	92, 97



# Index

Listed in Ascending Order by Manufacturer Part No.

AGCO Part No.	Manufacturer Part No.	Bearing Type	Page No.
834206M1	RA115RRB + COL	Wide Inner Ring	92, 97
712943	RA115RRB2 + COL	Wide Inner Ring	92, 97
712158	RA200RRB + COL	Wide Inner Ring	92, 97
700710914	RA203RR L/C	Wide Inner Ring	90, 97
700704263	RA203RRB + COL	Wide Inner Ring	92, 97
700709619	RAE40RRB + COL	Wide Inner Ring	92, 97
N12732	RAK 1 1/2	Pillow Block	221
834198M1	RAO15RRB + COL	Wide Inner Ring	91, 97
764955V	RCJ 2 11/16	Housed Unit	226
12704	RCJ 2 3/16	Housed Unit	225
270823	RCJ1 15/16	Housed Unit	225
747590	RCJ1 3/8	Housed Unit	224
71502255	RCJ-1 7/16	Housed Unit	224
AG515562	RCJ-13/4	Housed Unit	225
7710007	RCJC1 3/4	Housed Unit	225
536953M91	RCJC2 3/16	Housed Unit	225
747811	RCJO1 1/2	Housed Unit	225
Y711986	RCJT1-3/8	Housed Unit	222
3787856M1	RCJT40	Housed Unit	222
714808	RCJTC 1 1/4	Housed Unit	222
71197421	RFC1 3/4 L/C	Housed Unit	225, 225
700706305	RFDR1 1/4	Housed Unit	223
700717917	RFDR1 3/4	Housed Unit	223
700719343	RFTD1 1/4	Housed Unit	222
832957M91	RJT31164	Needle	193, 199
WZ548	RM1115K	Disc Harrow	238
3760514M1	RMS92RKMC4	Ball	65, 85
1117366	RNU207 ECP	Needle	194, 199
1117371	RNU207NETVP2	Roller	121, 126
843686M1	RNU209FY	Roller	121, 126
1137019	RNU211E.TVP2	Roller	121, 126
843383M1	RNU2209	Roller	121, 126
1612707M1	RNU-405	Roller	121, 126
70235079V	RXX206513	Thrust	205, 208
833084V1	RXX250514	Thrust	205, 208
72161859	RYLE 212	Ball	74, 85
20-0007597	S13R	Ball	67, 85
AG523209	S20056A	Flangette	233
844237M1	S204ZZ	Ball	64, 85
8050593	SB-22315-SS	Roller	122, 126
70536147	SBX06A59LLXQ1	Ball	73, 85
713834	SBX07A42LLMC3Q1	Ball	73, 85
831778M1	SBX0838	Wide Inner Ring	92, 97
842303M1	SBX09A47LLSC3/8AQ1	Disc Harrow	103, 107, 109, 110, 112, 115, 238





# Index

Listed in Ascending Order by Manufacturer Part No.

AGCO Part No.	Manufacturer Part No.	Bearing Type	Page No.
SN2042	SBX1181LLSQ1	Disc Harrow	104, 110, 113, 115
70406677	SBX1184LLSQ1	Ball	62, 85, 102, 105, 107, 112, 115, 238
1070411M1	SC0228LLU	Ball	63, 85
6610653	SC0228LLUC3	Ball	63, 85
70340145	SC0228LLUC3	Ball	63, 85
AG000355	SC0228LLUC3	Ball	63, 85
552-500	SCE1616PP	Needle	193, 199
195453M1	SCE228	Needle	194, 199
195453V1	SCE228	Needle	194, 199
30-3126110	SCE2412	Needle	194, 199
842134M1	SCE2816	Needle	195, 199
70937217	SCE4412	Needle	195, 199
70937194	SCE78	Needle	192, 199
834475M1	SCH1614 P	Needle	193, 199
832595M1	SCH1616 AS1	Needle	193, 199
843276M1	SCH2216	Needle	194, 199
70536986	SCO440LL C3	Ball	64, 85
15337	SKF 311	Ball	70, 85
N15337	SKF 311	Ball	70, 85
700722661	SR342-436RS	Ball	72, 85
508330M1	SRF55RR	Cam	214, 215
1905686M1	ST491A	Disc Harrow	104, 113, 115
10493	SX0361LLCS41PX1	Ball	63, 85
72509763	SY 1 3/4 TF	Pillow Block	221
743632	SY 1.375 FM	Pillow Block	220
71368048	SY 1-1/2 FM	Pillow Block	220
70248385	SY1-1/4 TF	Pillow Block	220
AG610853	SY27/16TF	Pillow Block	221
AG059756	SYR27/16N118	Pillow Block	221
22316X	T101	Thrust	204, 208
18560X	T126	Thrust	204, 208
10A8662	T138	Thrust	204, 208
10A9498	T139	Thrust	204, 208
KS5040	T149	Thrust	204, 208
832961M1	T177 TTC	Thrust	204, 208
71135013	T-199	Thrust	205, 209
842033M1	T251	Thrust	205, 209
71118123	T-27361	Thrust	204, 209
3426850M2	T4CB100	Tapered Asy.	182, 187
3426850V2	T4CB100	Tapered Asy.	182, 187
3426851M2	T4CB120	Tapered Asy.	182, 187
3426851V2	T4CB120	Tapered Asy.	182, 187
AG715302	T4CB140	Tapered Asy.	182, 187
17264	T52MSTR-YZP	Flangette	231



# Index

Listed in Ascending Order by Manufacturer Part No.

AGCO Part No.	Manufacturer Part No.	Bearing Type	Page No.
50591	T52MST-ZP	Flangette	230
700717515	T52MST-ZP	Flangette	230
71127313	T62MSTR-2YZP	Flangette	231
11448	T63	Thrust	204, 209
71192243	T72MSTR-2YZP	Flangette	231
195457M1	T-77W	Thrust	204, 209
700711918	T80MS-S2ZP	Flangette	232
17819	T80MS-S4YZP	Flangette	232
17789	T80MS-SYZP	Flangette	232
71130258	T85MS-SYZP	Flangette	232
LS5035	T88	Thrust	204, 209
156676A	T94-12	Needle	192, 199
1173591	TAF253316	Needle	193, 199
1613884M1	TC4860	Thrust	206, 209
7739-6	TCJ1 3/8	Housed Unit	224
7713704	TCJ2	Housed Unit	225
70593178	TG62MSA-5ZP	Flangette	231
700710412	TG72MSA-13ZP	Flangette	231
70593180	TG72MSA-2ZP	Flangette	231
70593181	TG72MSB-ZP	Flangette	231
526036	TMB005LLUC3/5C	Ball	65, 85
528393	TMB005LLUC3/5C	Ball	65, 85
528393V	TMB005LLUC3/5C	Ball	65, 85
526057	TMB009LLUC3/5C	Ball	68, 69, 78, 85
528116	TMB009LLUC3/5C	Ball	69, 86
528116V	TMB009LLUC3/5C	Ball	69, 86
17798	TMB205LLUC3/L014	Ball	65, 86
834592M91	UB220NL	Wide Inner Ring	90, 97
195195M1	UC1305TM-1B	Roller	120, 126
6573125	UC308D1	Wide Inner Ring	93, 97
3734388M1	UEL207-104D1V1	Wide Inner Ring	93, 97
6215743	UEL207D1	Wide Inner Ring	93, 97
2492063W91	UELFLU210-1.15/16	Housed Unit	222
7738-25	UELPL-2.1/4	Pillow Block	221
K4438	UG228NL	Wide Inner Ring	93, 97
714329	UG232NL	Wide Inner Ring	93, 97
2490830W1	UL315-215D1	Wide Inner Ring	94, 97
350403X1	UN120426	Needle	192, 199
350406X1	UN120440	Needle	192, 199
833477M1	UN93348	Needle	192, 199
AG607412	VAS-1	Pillow Block	220
W2730930	VAS-1	Pillow Block	220
AG516274	VAS-1 1/2	Pillow Block	221
Y711671	VAS1 1/4S	Pillow Block	220



# Index

Listed in Ascending Order by Manufacturer Part No.

AGCO Part No.	Manufacturer Part No.	Bearing Type	Page No.
743633	VAS1-1/2	Pillow Block	220
70577159	VFD1	Housed Unit	223
700708582	VFTD1 1/8	Housed Unit	222
20-7002934	W208PP10	Disc Harrow	102, 106, 107, 108, 109, 112, 115
1905665M1	W208PP5	Disc Harrow	102, 105, 106, 107, 108, 109, 110, 111
1905669M1	W208PP8	Disc Harrow	102, 106, 108, 112, 115, 238
1905671M1	W208PPB11	Disc Harrow	103, 106, 107, 108, 109, 110, 111, 112, 115, 238
70575883	W208PPB16	Ball	73, 86, 103, 105, 112, 115, 224, 237
1905664M1	W208PPB2	Disc Harrow	103, 106, 107, 109, 112, 115, 238
832634M3	W208PPB23	Disc Harrow	103, 112, 115
SN24A-5301	W208PPB5	Disc Harrow	103, 110, 115, 238
843638M1	W208PPB5 D5	Disc Harrow	103, 105, 106, 107, 108, 109, 110, 111
834367M1	W208PPB6	Disc Harrow	103, 105, 106, 107, 108, 109, 110, 112, 115, 238
31-0072	W209PPB2 C4	Ball	74, 86, 103, 107, 113, 115, 238
1905673M1	W209PPB4	Disc Harrow	103, 107, 108, 109, 111, 113, 115, 238
34-0103	W209PPB4 C2	Ball	74, 86, 103, 107, 114 ,
831960M3	W210PPB2	Disc Harrow	103, 106, 108, 109, 110, 113, 115
1905680M1	W211PPB6	Disc Harrow	103, 105, 106, 107, 109, 111, 112, 115, 238
31-0064	W228EL	Wide Inner Ring	92, 97
804039	W306PP	Ball	66, 86
7591-1	WB212EL	Wide Inner Ring	90, 97
843548M1	WB216UL	Wide Inner Ring	90, 97
1043628M91	WB226UL + COL	Wide Inner Ring	90, 97
N15637	WG228EL1	Wide Inner Ring	221, 225
7713647	WG2E52U + COL	Wide Inner Ring	93, 97
71151719	WK2250.T1428	Ball	70, 86
Y713453	WPS104TTRNCC3(G100)	Wide Inner Ring	93, 97
12340	WPS112GPN	Wide Inner Ring	92, 97
833914M1	WS-1375-12	Ball	64, 86
2759934M1	X376RSCG6Q	Ball	67, 86
W9111920	Y214N	Wide Inner Ring	91, 98
K2282	Y221NL1	Wide Inner Ring	92, 98
70596232	Y223NL	Wide Inner Ring	92, 98
AG708470	YAR 213-208	Wide Inner Ring	226
71365065	YAR212-207W	Wide Inner Ring	92, 98
71374803	YCRSC-40	Roller	120, 126, 192, 199
71308962	YEL 205-100-2FW/VT307B	Wide Inner Ring	91, 98
71306657	YEL 205-100-2FWU	Wide Inner Ring	91, 98
17350	YEL 207-104-2FU	Wide Inner Ring	93, 98
70542703	YEL 207-106+Col	Wide Inner Ring	93, 98, 224
831877M1	YEL 209-112-2F	Wide Inner Ring	93, 98, 221, 225
12705	YEL 211 203	Wide Inner Ring	94, 98, 225
W9112450	YEL205-014	Wide Inner Ring	91, 98



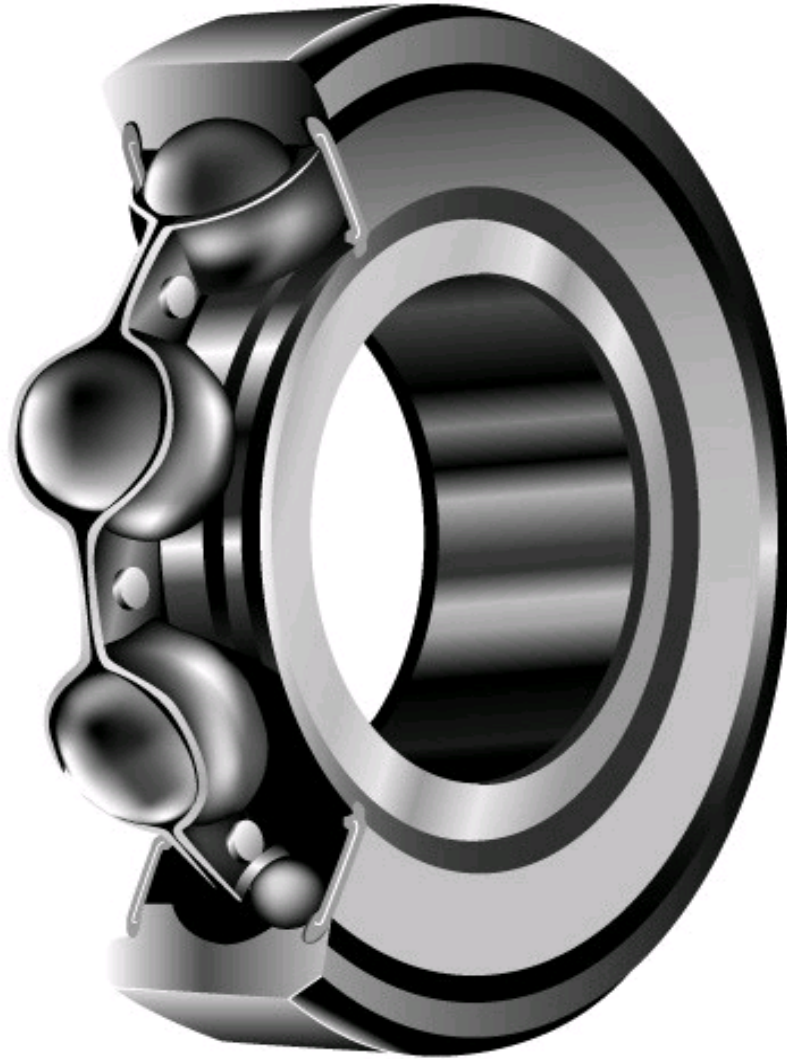
# Index

Listed in Ascending Order by Manufacturer Part No.

AGCO Part No.	Manufacturer Part No.	Bearing Type	Page No.
71309117	YEL-207-104 2FW	Wide Inner Ring	92, 98, 222, 223
712059	YEL208-108	Wide Inner Ring	93, 98, 223
71308770	YET 205 014 + COL	Wide Inner Ring	91, 98
70565094	YET 205 100	Wide Inner Ring	220, 220
844095M1	YET 205 100	Wide Inner Ring	92, 98, 221
71308951	YET 205-100 W	Wide Inner Ring	91, 98, 223
70590710	YET 206 102	Wide Inner Ring	92, 98
W9110330	YET 206 103W	Wide Inner Ring	91, 98
353134X1	YET 206-101 W	Wide Inner Ring	91, 98
832779M1	YET 206-102CW	Wide Inner Ring	90, 98
353161X1	YET 206-103W	Wide Inner Ring	91, 98
71308984	YET 206-104	Wide Inner Ring	91, 98, 220
70590713	YET 207 106	Wide Inner Ring	93, 98
70590712	YET 207-104	Wide Inner Ring	93, 98
N10830	YET 207-104 WU	Wide Inner Ring	91, 98
712315	YET 207-106	Wide Inner Ring	93, 98, 220, 224
71333775	YET 207-106WU/C3VT307B	Wide Inner Ring	92, 98
711630	YET 207-107	Wide Inner Ring	93, 98, 220
50468	YET 208-108	Wide Inner Ring	224, 92, 97
843273M1	YET 208-108CW	Wide Inner Ring	90, 98
70530806	YET203-010W	Wide Inner Ring	91, 98
51292	YET207-104W	Wide Inner Ring	223
710210	YG216NL (YG216N-W216-5)	Wide Inner Ring	92, 98
11543	YG220E3L1	Wide Inner Ring	93, 98
7745-37	YG228E3LK33	Wide Inner Ring	93, 98
7713985	YG232E3L	Wide Inner Ring	93, 98, 225
105794	YHC 207 1042LS8WVT357	Wide Inner Ring	92, 98



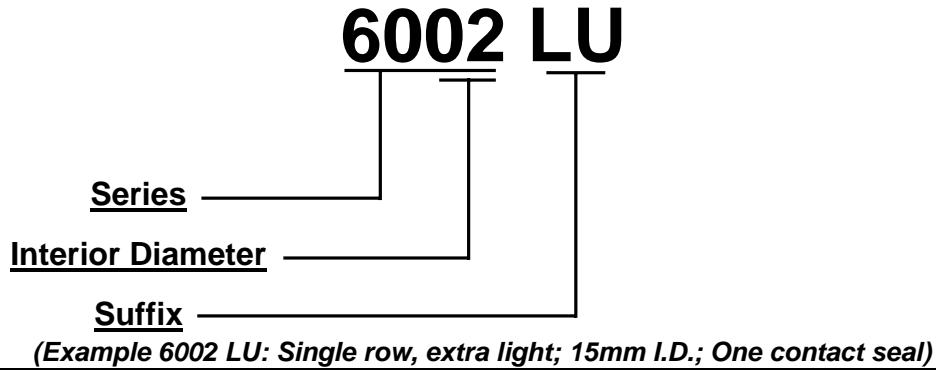
# Ball Bearings





# Ball Bearings Introduction

## How To Read A Manufacturer Ball Bearing Part Number



## Ball Bearing Number Explanation

### Series

#### Timken

- 30... Single row metric, extra small
- 9100.. Single row, extra light
- 100... Single row, extra large
- 200... Single row, light
- 300... Single row, medium

#### SKF NTN Koyo

- 600...Single row metric, extra small
- 6000...Single row, extra light
- 6100...Single row, extra large
- 6200...Single row, light
- 6300...Single row, medium

### Interior Diameter

- 00... 10mm
- 01... 12mm
- 02... 15mm
- 03... 17mm
- 04... 20mm

\*04 and up: multiply the last two numbers by 5 to get bore size in millimeters.

**Metric:** The last two numbers is the size of the interior diameter in millimeters.

### Suffix

#### Timken

- K..... Conrad, non-filling slot type
- B .....Spherical outside diameter
- D : DD .....One shield : Two shields
- L : LL .....One seal : Two seals
- P : PP.....One seal : Two seals
- R : RR(2) ...One land riding seal :  
Two land riding seals
- G .....Snap ring

#### SKF NTN Koyo

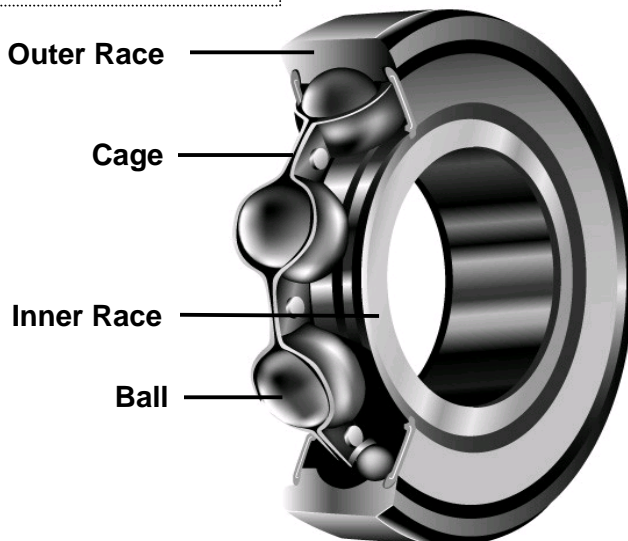
- C1:C2:C3..Internal clearance variation
- Z : ZZ .....One shield : Two shields
- N .....Snap ring groove
- NR.....Snap ring groove with ring

#### Koyo SKF

- RS : 2RS.....One contact seal :  
Two contact seals
- RU : 2RU.....One non-contact seal :  
Two non-contact seals
- RD : 2RD.....One light contact seal :  
Two light contact seals

#### NTN

- LB : LLB.....One non-contact seal :  
Two non-contact seals
- LH : LLH.....One low torque seal :  
Two low torque seals
- LU : LLU.....One contact seal :  
Two contact seals



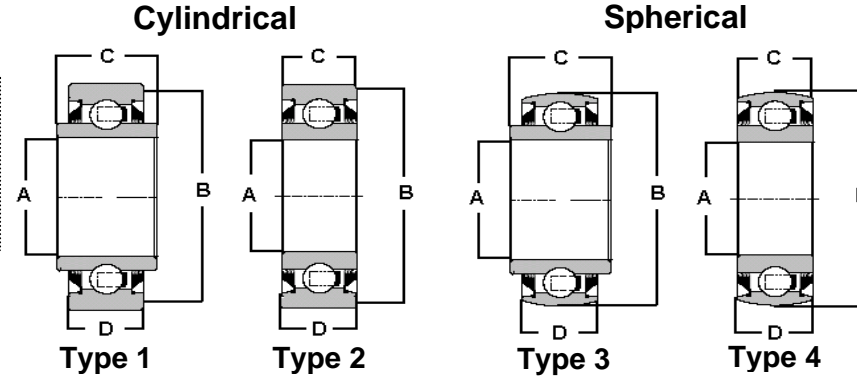


# Ball Bearings

## Introduction

### Identifying the Differences Between Ball Bearings

Cylindrical bearings are designed with a flat outer race to restrict misalignment.



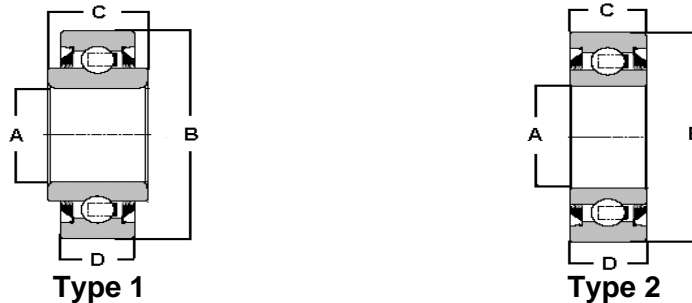
Spherical bearings are designed with a rounded outer race to accept misalignment.

The ball bearings in this section are categorized by the outer race design: Cylindrical (flat) and Spherical (rounded).

A Cylindrical ball bearing is categorized by Types 1 and 2. A Type 1 Cylindrical ball bearing has an inner race width larger than the outer race width. A Type 2 Cylindrical ball bearing has an inner race width equal to the outer race width.

A Spherical ball bearing is described by Types 3 and 4. A Type 3 Spherical ball bearing has an inner race width larger than the outer race width. A Type 4 Spherical ball bearing has an inner race width equal to the outer race width.

### Understanding the Bearing Page Layout



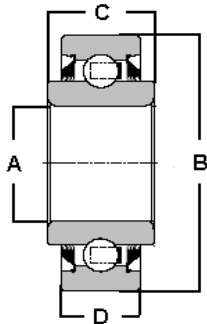
Cylindrical - Round Bore											
AGCO Part No.	Manufacturer Part No.	y P e	A		B		C		D		Seal Information
			Interior Diameter (in) (mm)	Outside Diameter (in) (mm)	Inner Race Width (in) (mm)	Outer Race Width (in) (mm)					
3435646M1	6002LU	2	0.591 15.00	1.260 32.00	0.354 9.00	0.354 9.00	Two Seals				

The Illustrations at the beginning of each ball bearing section are used to help identify a bearing in the absence of the Manufacturer's Part Number. Column headings include: Type, (A) Interior Diameter, (B) Outside Diameter, (C) Inner Race Width, (D) Outer Race Width and Seal Information.

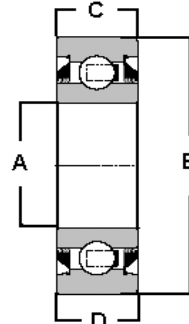


# Cylindrical Ball Bearings

Listed in Ascending Order by Interior Diameter



Type 1



Type 2

AGCO offers a wide range of bearings from a number of manufacturers. These Manufacturer Part Numbers are listed for reference only. The part number will not guarantee a specific manufacturer.

Cylindrical - Hex Bore											
AGCO Part No.	Manufacturer Part No.	Type	A Interior Diameter (in) (mm)	B Outside Diameter (in) (mm)	C Inner Race Width (in) (mm)	D Outer Race Width (in) (mm)	Seal Information				
W232380B	205KRR2	1	0.876	22.25	2.047	52.00	1.000	25.40	0.590	15.00	Two Seals
Cylindrical - Spline Bore											
50377	CS3574X6	2	0.756	19.20	1.850	47.00	0.551	14.00	0.551	14.00	Two Shields
Cylindrical - Square Bore											
70596130	20SBG2209E3	1	1.299	33.00	3.346	85.00	1.417	36.00	1.181	30.00	Two Seals
EP5403	DC211TTR4	1	1.500	38.10	3.937	100.00	1.750	44.45	1.313	33.34	Two Seals
70406677	SBX1184LLSQ1	1	1.500	38.10	3.937	100.00	1.750	44.45	1.438	36.52	Two Seals
Cylindrical - Round Bore											
7711534	37PP C3	2	0.276	7.00	0.866	22.00	0.276	7.00	0.276	7.00	Two Seals
700706189	608LU	2	0.315	8.00	0.866	22.00	0.276	7.00	0.276	7.00	One Seal
700706189	608LLU/5C	2	0.315	8.00	0.866	22.00	0.276	7.00	0.276	7.00	Two Seals
71158140	EE3S Z	2	0.375	9.53	0.875	22.23	0.281	7.14	0.281	7.14	One Shield
700707402	P200PP Z10	2	0.394	10.00	1.181	30.00	0.354	9.00	0.354	9.00	Two Seals
71391540	5200 A2RS1TN9/C3	2	0.394	10.00	1.181	30.00	0.551	14.00	0.551	14.00	Two Seals
74507158	60622VBF00	2	0.433	11.00	0.906	23.00	0.315	8.00	0.315	8.00	Two Seals
642239M1	6201LLBC3/2A	2	0.472	12.00	1.260	32.00	0.394	10.00	0.394	10.00	Two Seals
642239V1	6201LLBC3/2A	2	0.472	12.00	1.260	32.00	0.394	10.00	0.394	10.00	Two Seals
1442075X1	6201-RS1	2	0.472	12.00	1.260	32.00	0.394	10.00	0.394	10.00	One Seal
832688M1	6201-RS1	2	0.472	12.00	1.260	32.00	0.394	10.00	0.394	10.00	One Seal
1904850M1	5201KDD	2	0.480	12.00	1.260	32.00	0.620	15.75	0.620	15.75	Two Shields
844096M1	6202 2RS1/2	2	0.500	12.70	1.378	35.00	0.433	11.00	0.433	11.00	Two Seals
1070839M1	202KRR7	2	0.500	12.70	1.500	38.00	0.567	14.40	0.567	14.40	Two Seals
710673	203KRR5	1	0.515	13.08	1.575	40.00	0.720	18.29	0.473	12.00	Two Seals
1171646	526072A	2	0.591	15.00	1.250	31.75	0.590	15.00	0.590	15.00	Two Seals
833889M1	6202 RS	2	0.591	15.00	1.378	35.00	0.433	11.00	0.433	11.00	One Seal
3435646M1	6002LU	2	0.591	15.00	1.260	32.00	0.354	9.00	0.354	9.00	Two Seals
1440484X1	6202	2	0.591	15.00	1.378	35.00	0.433	11.00	0.433	11.00	No Seals
21271A	6202 ZZ C3 Z14	2	0.591	15.00	1.378	35.00	0.433	11.00	0.433	11.00	Two Shields





# Cylindrical Ball Bearings

## Listed in Ascending Order by Interior Diameter

Cylindrical - Round Bore (cont.)											
AGCO Part No.	Manufacturer Part No.	Type	A		B		C		D		Seal Information
			Interior Diameter (in)	Interior Diameter (mm)	Outside Diameter (in)	Outside Diameter (mm)	Inner Race Width (in)	Inner Race Width (mm)	Outer Race Width (in)	Outer Race Width (mm)	
103300A	6202-2Z/C3GJN	2	0.591	15.00	1.378	35.00	0.433	11.00	0.433	11.00	Two Shields
175047M1	6202LLU/2A	2	0.591	15.00	1.378	35.00	0.433	11.00	0.433	11.00	Two Seals
13851X	7109	2	0.591	15.00	1.378	35.00	0.354	9.00	0.354	9.00	No Seals
B1647	6302	2	0.591	15.00	1.654	42.00	0.512	13.00	0.512	13.00	No Seals
1104671	6302 RS	2	0.591	15.00	1.654	42.00	0.512	13.00	0.512	13.00	One Seal
3435718M1	6302-2RS1	2	0.591	15.00	1.654	42.00	0.512	13.00	0.512	13.00	Two Seals
K4823	1623 DCTN	2	0.625	15.88	1.375	34.93	0.438	11.11	0.438	11.11	Two Shields
1070411M1	SC0228LLU	2	0.625	15.88	1.370	34.80	0.440	11.18	0.440	11.18	Two Seals
70340145	SC0228LLUC3	2	0.625	15.88	1.375	34.93	0.433	11.00	0.433	11.00	Two Seals
6610653	SC0228LLUC3	2	0.625	15.88	1.380	35.00	0.440	11.18	0.440	11.18	Two Seals
832768M1	203NPP9	2	0.625	15.88	1.575	40.00	0.500	12.70	0.500	12.70	Two Seals
834732M1	203SZZ38	2	0.625	15.88	1.575	40.00	0.472	12.00	0.472	12.00	Two Shields
W9110090	203KRR6 C1	2	0.625	15.88	1.850	47.00	0.720	18.29	0.720	18.29	Two Seals
842947M1	6204-2RS-5/8	2	0.625	15.88	1.850	47.00	0.551	14.00	0.551	14.00	Two Seals
71126056	BBY-5549	1	0.625	15.88	1.850	47.00	0.720	18.29	0.472	12.00	Two Seals
K4727	KS10 FS160	1	0.625	15.88	1.938	49.21	0.813	20.65	0.625	15.88	Two Seals
8050601	KSP10FS160	1	0.625	15.88	1.938	49.21	0.813	20.65	0.625	15.87	Two Seals
70335306	203KR2	2	0.625	15.88	1.575	40.00	0.551	14.00	0.551	14.00	One Seal
833819M1	6202LLU/16	2	0.630	16.00	1.378	35.00	0.433	11.00	0.433	11.00	Two Seals
70800420	488016	2	0.630	16.00	1.378	35.00	0.566	14.38	0.566	14.38	Two Shields
842045M1	6203/16	2	0.630	16.00	1.575	40.00	0.472	12.00	0.472	12.00	One Seal
833735M1	6203LLU/16/2A	2	0.630	16.00	1.575	40.00	0.472	12.00	0.472	12.00	Two Seals
AG000355	SC0228LLUC3	2	0.630	16.00	1.378	35.00	0.433	11.00	0.433	11.00	Two Seals
70571020	204RR8 E8728	2	0.630	16.00	1.781	45.22	0.610	15.49	0.610	15.49	Two Seals
W247167B	H204RR11	1	0.630	16.00	1.850	47.00	0.689	17.50	0.551	14.00	Two Seals
852270	204PY3 E8728	1	0.636	16.15	1.780	45.21	0.735	18.67	0.610	15.49	One Seal
3643380M1	203KRR2	1	0.640	16.26	1.575	40.00	0.720	18.29	0.472	12.00	Two Seals
832651M1	81119600	1	0.640	16.26	1.575	40.00	0.720	18.29	0.472	12.00	Two Shields
10493	SX0361LLCS41PX1	1	0.640	16.26	1.575	40.00	0.720	18.29	0.472	12.00	Two Seals
833612M1	9103KD	2	0.669	17.00	1.378	35.00	0.389	9.87	0.389	9.87	One Shield
834183M1	3203-A/C3/TS	2	0.669	17.00	1.575	40.00	0.688	17.46	0.688	17.46	Two Seals
832960M3	62032ZR.C3.J22R	2	0.669	17.00	1.575	40.00	0.472	12.00	0.472	12.00	Two Shields
74253868	6303-C3 Z14	2	0.669	17.00	1.850	47.00	0.551	14.00	0.551	14.00	No Seals
1173588	5203KCL	2	0.669	17.00	1.575	40.00	0.669	17.00	0.669	17.00	No Seals
832960V3	62032ZR.C3.J22R	2	0.669	17.00	1.575	40.00	0.472	12.00	0.472	12.00	Two Shields
828123N1	6203-ZZ	2	0.669	17.00	1.575	40.00	0.472	12.00	0.472	12.00	Two Shields
7714629	5203PP4	2	0.669	17.00	1.575	40.00	0.813	20.64	0.813	20.64	Two Seals
6664999	6003-2RS1	2	0.669	17.00	1.378	35.00	0.394	10.00	0.394	10.00	Two Seals
70800421	488503	2	0.669	17.00	1.575	40.00	0.654	16.60	0.654	16.60	Two Shields
SN7218	5203KYY2	1	0.669	17.00	1.575	40.00	1.737	44.12	1.540	39.12	Two Seals



# Cylindrical Ball Bearings

## Listed in Ascending Order by Interior Diameter

Cylindrical - Round Bore (cont.)											
AGCO Part No.	Manufacturer Part No.	Type	A		B		C		D		Seal Information
			Interior Diameter (in)	Interior Diameter (mm)	Outside Diameter (in)	Outside Diameter (mm)	Inner Race Width (in)	Inner Race Width (mm)	Outer Race Width (in)	Outer Race Width (mm)	
828123M2	6203 2RS1C3	2	0.669	17.00	1.575	40.00	0.472	12.00	0.472	12.00	Two Seals
828123V2	6203 2RS1C3	2	0.669	17.00	1.575	40.00	0.472	12.00	0.472	12.00	Two Seals
10473	6203LLUC4/5C	2	0.669	17.00	1.575	40.00	0.472	12.00	0.472	12.00	Two Seals
854003	DAC1640442RSL	1	0.669	17.00	1.575	40.00	1.737	44.12	1.540	39.12	Two Seals
70525592	6203	2	0.669	17.00	1.578	40.00	0.472	12.00	0.472	12.00	No Seals
71135350V	6303LLUC3/5C	2	0.669	17.00	1.850	47.00	0.551	14.00	0.551	14.00	Two Seals
71135350	6303LLUC3/5C	2	0.669	17.00	1.850	47.00	0.551	14.00	0.551	14.00	Two Seals
833914M1	WS-1375-12	1	0.750	19.05	1.500	38.23	0.510	13.00	0.443	11.25	Seal / Shield
H475627R91	1630 DC	2	0.750	19.05	1.625	41.26	0.500	12.70	0.500	12.70	Two Seals
833383M1	EE6	2	0.750	19.05	1.625	41.28	0.312	8.00	0.312	8.00	No Seals
7711849	KP12A FS428	2	0.750	19.05	1.625	41.28	0.437	11.10	0.437	11.10	No Seals
71307332	KP12A-A2365	1	0.750	19.05	1.625	41.28	0.437	11.10	0.375	9.53	One Seal
834054M1	1635	2	0.750	19.05	1.750	44.45	0.500	12.70	0.500	12.70	No Seals
70536986	SCO440LL C3	2	0.750	19.05	1.772	45.00	0.591	15.00	0.591	15.00	Two Seals
833877M1	7488	2	0.750	19.05	1.781	45.22	0.610	15.49	0.610	15.49	No Seals
70536986	P204RR6 C1	2	0.750	19.05	1.781	45.22	0.611	15.51	0.611	15.51	Two Seals
361364	205KRRP2	1	0.750	19.05	2.047	52.00	0.838	21.29	0.591	15.00	Two Seals
SNDR30005	205KRRP2	1	0.750	19.05	2.047	52.00	0.838	21.29	0.591	15.00	Two Seals
7040652	6904	2	0.787	20.00	1.457	37.00	0.354	9.00	0.354	9.00	No Seals
526253	6004 C3	2	0.787	20.00	1.654	42.00	0.472	12.00	0.472	12.00	No Seals
70931690	6004LLUNR	2	0.787	20.00	1.654	42.00	0.472	12.00	0.472	12.00	Two Seals
33-0065471	6004LU	2	0.787	20.00	1.654	42.00	0.472	12.00	0.472	12.00	One Seal
17519	62042RS	2	0.787	20.00	1.850	47.00	0.551	14.00	0.551	14.00	Two Seals
200163M1	6204NR	2	0.787	20.00	1.850	47.00	0.551	14.00	0.551	14.00	No Seals
70573970	6204Z	2	0.787	20.00	1.850	47.00	0.551	14.00	0.551	14.00	One Shield
71336974	5204PP A4257	2	0.787	20.00	1.850	47.00	0.938	23.81	0.938	23.81	Two Seals
527263	6204	2	0.787	20.00	1.850	47.00	0.551	14.00	0.551	14.00	No Seals
832686M1	6204-RS	2	0.787	20.00	1.850	47.00	0.551	14.00	0.551	14.00	One Seal
832686V1	6204-RS	2	0.787	20.00	1.850	47.00	0.551	14.00	0.551	14.00	One Seal
1440506X1	6304	2	0.787	20.00	2.047	52.00	0.591	15.00	0.591	15.00	No Seals
1136432	6304.2RSR.C3.J22R	2	0.787	20.00	2.047	52.00	0.591	15.00	0.591	15.00	Two Seals
30-3022617	5304	2	0.787	20.00	2.047	52.00	0.874	22.20	0.874	22.20	No Seals
72104040	6304	2	0.787	20.00	2.047	52.00	0.591	15.00	0.591	15.00	No Seals
74044210	6304LU	2	0.787	20.00	2.047	52.00	0.591	15.00	0.591	15.00	One Seal
1136653	62042RS	2	0.787	20.00	1.850	47.00	0.551	14.00	0.551	14.00	Two Seals
1136653V	62042RS	2	0.787	20.00	1.850	47.00	0.551	14.00	0.551	14.00	Two Seals
W10P1499	5204 H	2	0.787	20.00	1.850	47.00	0.811	20.60	0.811	20.60	No Seals
844237M1	S204ZZ	2	0.787	20.00	1.850	47.00	0.813	20.64	0.813	20.64	Two Shields
1136079	6004 2RS (A)	2	0.787	20.00	1.654	42.00	0.472	12.00	0.472	12.00	Two Seals
1136079V	6004.2RSR	2	0.787	20.00	1.654	42.00	0.472	12.00	0.472	12.00	Two Seals



# Cylindrical Ball Bearings

## Listed in Ascending Order by Interior Diameter

Cylindrical - Round Bore (cont.)											
AGCO Part No.	Manufacturer Part No.	Type	A		B		C		D		Seal Information
			Interior Diameter (in)	(mm)	Outside Diameter (in)	(mm)	Inner Race Width (in)	(mm)	Outer Race Width (in)	(mm)	
1047513M1	3204ATN9/C3	2	0.787	20.00	1.850	47.00	0.820	20.83	0.820	20.83	Two Seals
74044212	6204-RSH/C3	2	0.787	20.00	1.850	47.00	0.551	14.00	0.551	14.00	One Seal
70804501	P304K Z5	2	0.787	20.00	2.050	52.00	0.590	15.00	0.590	15.00	No Seals
833905M1	R 14	2	0.875	22.23	1.875	47.63	0.375	9.53	0.375	9.53	No Seals
1124697	6005-RS1	2	0.984	25.00	1.850	47.00	0.472	12.00	0.472	12.00	One Seal
526036	TMB005LLUC3/5C	2	0.984	25.00	1.850	47.00	0.472	12.00	0.472	12.00	Two Seals
528393	TMB005LLUC3/5C	2	0.984	25.00	1.850	47.00	0.472	12.00	0.472	12.00	Two Seals
528393V	TMB005LLUC3/5C	2	0.984	25.00	1.850	47.00	0.472	12.00	0.472	12.00	Two Seals
K3352	6205 2RS C3 Z14	2	0.984	25.00	2.047	52.00	0.591	15.00	0.591	15.00	Two Seals
832778M1	6205 2RS C-4	2	0.984	25.00	2.047	52.00	0.591	15.00	0.591	15.00	Two Seals
1109045	6205/C3	2	0.984	25.00	2.047	52.00	0.591	15.00	0.591	15.00	No Seals
11489	6205NR	2	0.984	25.00	2.047	52.00	0.591	15.00	0.591	15.00	No Seals
1109048	6205-Z/C3	2	0.984	25.00	2.047	52.00	0.591	15.00	0.591	15.00	One Shield
17798	TMB205LLUC3/L014	2	0.984	25.00	2.047	52.00	0.591	15.00	0.591	15.00	Two Seals
70205756	205KL C3	1	0.984	25.00	2.047	52.00	0.625	15.88	0.591	15.00	One Shield
AG514757	5205-A2RS	2	0.984	25.00	2.047	52.00	0.787	20.00	0.787	20.00	Two Seals
1109045	6205-C3	2	0.984	25.00	2.047	52.00	0.591	15.00	0.591	15.00	No Seals
72100764	6205LLNR	2	0.984	25.00	2.047	52.00	0.591	15.00	0.591	15.00	Two Seals
353067X1	6205-RLD	2	0.984	25.00	2.047	52.00	0.591	15.00	0.591	15.00	One Seal
H467146R91	P205P Z3	2	0.984	25.00	2.047	52.00	0.591	15.00	0.591	15.00	One Seal
834210M1	6305 RSC4	2	0.984	25.00	2.441	62.00	0.669	17.00	0.669	17.00	One Seal
70067916	6305/C3	2	0.984	25.00	2.441	62.00	0.669	17.00	0.669	17.00	No Seals
1139002	63052RSC3GA2	2	0.984	25.00	2.441	62.00	0.669	17.00	0.669	17.00	Two Seals
1069263M1	6305LLUC3/5C	2	0.984	25.00	2.441	62.00	0.665	17.00	0.665	17.00	Two Seals
834169M1	BL305LU/2A	2	0.984	25.00	2.441	62.00	0.669	17.00	0.669	17.00	One Seal
1139002	6305RS	2	0.984	25.00	2.441	62.00	0.472	12.00	0.472	12.00	One Seal
14292X	1305	2	0.984	25.00	2.441	62.00	0.669	17.00	0.669	17.00	No Seals
WT9480	6305	2	0.984	25.00	2.441	62.00	0.669	17.00	0.669	17.00	No Seals
W9111900	6305NR	2	0.984	25.00	2.441	62.00	0.669	17.00	0.669	17.00	No Seals
832305M1	6305-RS1	2	0.984	25.00	2.441	62.00	0.669	17.00	0.669	17.00	One Seal
3734357M1	6405	2	0.984	25.00	3.150	80.00	0.827	21.00	0.827	21.00	No Seals
K3352V	6205 2RS C3 Z14	2	0.984	25.00	2.047	52.00	0.591	15.00	0.591	15.00	Two Seals
17703	BL205	2	0.984	25.00	2.047	52.00	0.588	15.00	0.588	14.95	No Seals
1123665	6305ZR.C3	2	0.984	25.00	2.441	62.00	0.669	17.00	0.669	17.00	One Shield
195464M1	1641 DC	2	1.000	25.40	2.000	50.80	0.558	14.16	0.558	14.16	No Seals
833906M1	16412RS	2	1.000	25.40	2.000	50.80	0.562	14.27	0.562	14.27	One Seal
831777M1	609V	2	1.000	25.40	2.010	51.00	0.645	16.38	0.645	16.38	No Seals
Y710392	8212TN	1	1.065	27.05	1.854	47.00	1.000	25.40	0.500	12.70	No Seals
3760514M1	RMS92RKMC4	2	1.125	28.58	2.813	71.44	0.813	20.64	0.813	20.64	Two Seals
899377M2	MS.11.C4	2	1.125	28.58	2.812	71.41	0.813	20.64	0.813	20.64	No Seals



# Cylindrical Ball Bearings

## Listed in Ascending Order by Interior Diameter

Cylindrical - Round Bore (cont.)											
AGCO Part No.	Manufacturer Part No.	Type	A		B		C		D		Seal Information
			Interior Diameter (in)	(mm)	Outside Diameter (in)	(mm)	Inner Race Width (in)	(mm)	Outer Race Width (in)	(mm)	
72098927	6006	2	1.181	30.00	2.165	55.00	0.512	13.00	0.512	13.00	No Seals
390940X1	6006LU	2	1.181	30.00	2.165	55.00	0.512	13.00	0.512	13.00	One Seal
1109055	6206 2RS C3 Z14	2	1.181	30.00	2.441	62.00	0.630	16.00	0.630	16.00	Two Seals
1109055V	6206 2RS C3 Z14	2	1.181	30.00	2.441	62.00	0.630	16.00	0.630	16.00	Two Seals
71131263	6206 NRC3	2	1.181	30.00	2.441	62.00	0.630	16.00	0.630	16.00	No Seals
70097088	6306 NRJ	2	1.181	30.00	2.834	72.00	0.743	19.00	0.743	19.00	No Seals
1139003	6306-2RS1/C3	2	1.181	30.00	2.835	72.00	0.748	19.00	0.748	19.00	Two Seals
832334M1	M6306	2	1.181	30.00	2.835	72.00	0.748	19.00	0.748	19.00	No Seals
1139517	6006LLUC3/5C	2	1.181	30.00	2.165	55.00	0.512	13.00	0.512	13.00	Two Seals
700709106	DF0654LLUC4/5C	2	1.181	30.00	2.165	55.00	0.906	23.00	0.906	23.00	Two Seals
3703004M1	6206	2	1.181	30.00	2.441	62.00	0.630	16.00	0.630	16.00	No Seals
W9111910	206 NRJ	2	1.181	30.00	2.441	62.00	0.630	16.00	0.630	16.00	No Seals
W9111930	206J	2	1.181	30.00	2.441	62.00	0.630	16.00	0.630	16.00	No Seals
71302496	206KR7 C1	1	1.181	30.00	2.441	62.00	0.945	24.00	0.630	16.00	One Seal
842374M1	206KRR8	1	1.181	30.00	2.441	62.00	0.945	24.00	0.630	16.00	Two Seals
12773	6206 2RS C3 Z14	2	1.181	30.00	2.441	62.00	0.630	16.00	0.630	16.00	Two Seals
N12773	6206 2RS C3 Z14	2	1.181	30.00	2.441	62.00	0.630	16.00	0.630	16.00	Two Seals
1174298	6206C3	2	1.181	30.00	2.441	62.00	0.630	16.00	0.630	16.00	No Seals
1440494X1	6206C3	2	1.181	30.00	2.441	62.00	0.630	16.00	0.630	16.00	No Seals
1109052	6206-RS1/C3	2	1.181	30.00	2.441	62.00	0.630	16.00	0.630	16.00	One Seal
832628M1	88506A	1	1.181	30.00	2.440	62.00	0.945	24.00	0.736	18.69	Two Seals
1109310	1306L	2	1.181	30.00	2.835	72.00	0.748	19.00	0.748	19.00	One Seal
71143645	1306L	2	1.181	30.00	2.835	72.00	0.748	19.00	0.748	19.00	One Seal
1122281	6306C3	2	1.181	30.00	2.835	72.00	0.748	19.00	0.748	19.00	No Seals
AG512540	6206.2RSR.J22R	2	1.181	30.00	2.441	62.00	0.630	16.00	0.630	16.00	Two Seals
AG000057	88506A	1	1.181	30.00	2.441	62.00	0.945	24.00	0.630	16.00	No Seals
804039	W306PP	2	1.181	30.00	2.835	72.00	0.748	19.00	0.748	19.00	Two Seals
71396472	2306 E-2RS1TN9	2	1.181	30.00	2.835	72.00	1.063	27.00	1.063	27.00	Two Shields
AG510343	6306-2RLD	2	1.181	30.00	2.835	72.00	0.748	19.00	0.748	19.00	Two Seals
1139003V	6306-2RS1/C3	2	1.181	30.00	2.835	72.00	0.748	19.00	0.748	19.00	Two Seals
831484M1	1654NSTN	2	1.250	31.75	2.500	63.50	0.625	16.00	0.625	16.00	Two Shields
72098661	62/32	2	1.260	32.00	2.559	65.00	0.669	17.00	0.669	17.00	No Seals
3910739	BD35-12DU8A	2	1.378	35.00	2.520	64.00	1.457	37.00	1.457	37.00	Two Seals
W9112180	207KRR4	1	1.378	35.00	2.677	68.00	0.945	24.00	0.827	21.00	Two Seals
70058974	207	2	1.378	35.00	2.835	72.00	0.669	17.00	0.669	17.00	No Seals
7714298	207KRR8	2	1.378	35.00	2.835	72.00	0.840	21.33	0.840	21.33	Two Seals
17526	207P Z6	2	1.378	35.00	2.835	72.00	0.669	17.00	0.669	17.00	One Seal
KS5030A	6007 RSJ	2	1.378	35.00	2.441	62.00	0.551	14.00	0.551	14.00	One Seal
72100838	6007-NR	2	1.378	35.00	2.441	62.00	0.550	14.00	0.550	14.00	No Seals
70210290	207ZJ	2	1.378	35.00	2.834	72.00	0.667	16.93	0.667	16.93	One Shield



# Cylindrical Ball Bearings

## Listed in Ascending Order by Interior Diameter

Cylindrical - Round Bore (cont.)											
AGCO Part No.	Manufacturer Part No.	Type	A		B		C		D		Seal Information
			Interior Diameter (in)	(mm)	Outside Diameter (in)	(mm)	Inner Race Width (in)	(mm)	Outer Race Width (in)	(mm)	
700712383	6207	2	1.378	35.00	2.835	72.00	0.472	12.00	0.472	12.00	No Seals
1140823V	6207.2RSR.C3.J22R	2	1.378	35.00	2.835	72.00	0.669	17.00	0.669	17.00	Two Seals
1109058V	6207.C3.J22R	2	1.378	35.00	2.835	72.00	0.472	12.00	0.472	12.00	No Seals
114093M1	6207-2RS1	2	1.378	35.00	2.835	72.00	0.669	17.00	0.669	17.00	Two Seals
1140823	6207LU	2	1.378	35.00	2.835	72.00	0.669	17.00	0.669	17.00	One Seal
842117M1	307Z	2	1.378	35.00	3.150	80.00	0.827	21.00	0.827	21.00	One Shield
354920V1	6307 2RS	2	1.378	35.00	3.150	80.00	0.827	21.00	0.827	21.00	Two Seals
835163M1	6007-2RS1	2	1.378	35.00	2.441	62.00	0.551	14.00	0.551	14.00	Two Seals
72503499	60072RS1C3	2	1.378	35.00	2.441	62.00	0.551	14.00	0.551	14.00	Two Seals
30-3065162	6007-2RS2/C4LHT23	2	1.378	35.00	2.441	62.00	0.551	14.00	0.551	14.00	Two Seals
3000724X1	6007RS	2	1.378	35.00	2.441	62.00	0.551	14.00	0.551	14.00	One Seal
71132366	207KRR3	1	1.378	35.00	2.835	72.00	0.984	25.00	0.669	17.00	Two Seals
70210290	207ZJ	2	1.378	35.00	2.835	72.00	0.669	17.00	0.669	17.00	One Shield
1140823	6207.2RSR.C3.J22R	2	1.378	35.00	2.835	72.00	0.669	17.00	0.669	17.00	Two Seals
1047237M1	6207.2RSR.C3.J22R	2	1.378	35.00	2.835	72.00	0.669	17.00	0.669	17.00	Two Seals
17389	6207.C3.J22R	2	1.378	35.00	2.835	72.00	0.669	17.00	0.669	17.00	No Seals
1109058	6207.C3.J22R	2	1.378	35.00	2.835	72.00	0.669	17.00	0.669	17.00	No Seals
71324230	88107 2RR4C3 GA2	1	1.378	35.00	2.835	72.00	0.984	25.00	0.669	17.00	Two Seals
842990M1	88107BVVN2	2	1.378	35.00	2.835	72.00	0.664	16.87	0.664	16.87	Two Seals
70212243	207PR	2	1.378	35.00	2.835	72.00	0.669	17.00	0.669	17.00	Two Seals
104089W1	6207-2Z/C3	2	1.378	35.00	2.835	72.00	0.669	17.00	0.669	17.00	Two Shields
72097938	6207NR	2	1.378	35.00	2.835	72.00	0.669	17.00	0.669	17.00	No Seals
1447415M1	6207RS	2	1.378	35.00	2.835	72.00	0.669	17.00	0.669	17.00	One Seal
2389930	6307C3	2	1.378	35.00	3.150	80.00	0.827	21.00	0.827	21.00	No Seals
72092851	6307NR	2	1.378	35.00	3.150	80.00	0.827	21.00	0.827	21.00	No Seals
354920X1	6307 2RS	2	1.378	35.00	3.150	80.00	0.827	21.00	0.827	21.00	Two Seals
2759934M1	X376RSCG6Q	2	1.378	35.00	4.000	101.60	1.125	28.58	1.125	28.58	Two Seals
20-0007597	S13R	2	1.500	38.10	2.625	66.68	0.437	11.11	0.437	11.11	One Seal
71131910	208KRR4	1	1.531	38.89	3.150	80.00	1.083	27.51	0.827	21.00	Two Seals
W158363A	88128 GGN	1	1.531	38.89	3.150	80.00	1.083	27.51	0.827	21.00	Two Seals
1138875	6008RSRC3	2	1.575	40.00	2.677	68.00	0.591	15.00	0.591	15.00	One Seal
WAC10938A	208 KRR2	1	1.575	40.00	3.150	80.00	1.063	27.00	0.827	21.00	Two Seals
831469M1	208-2Z	2	1.575	40.00	3.150	80.00	0.709	18.00	0.709	18.00	Two Shields
70210027	208K C2	2	1.575	40.00	3.150	80.00	0.709	18.00	0.709	18.00	No Seals
15895	6308 2RS/C3	2	1.575	40.00	3.543	90.00	0.906	23.00	0.906	23.00	Two Seals
832464M1	408	2	1.575	40.00	4.331	110.00	1.060	27.00	1.060	27.00	No Seals
842415M1	408	2	1.575	40.00	4.331	110.00	1.060	27.00	1.060	27.00	No Seals
W9111190	619082RS1/C3	2	1.575	40.00	2.441	62.00	0.521	13.22	0.521	13.22	Two Seals
72505492	6008.2RSR.C3.J22R	2	1.575	40.00	2.577	65.46	0.591	15.00	0.591	15.00	Two Seals
70928929	6008RSRC3	2	1.575	40.00	2.677	68.00	0.591	15.00	0.591	15.00	One Seal



# Cylindrical Ball Bearings

## Listed in Ascending Order by Interior Diameter

Cylindrical - Round Bore (cont.)											
AGCO Part No.	Manufacturer Part No.	Type	A		B		C		D		Seal Information
			Interior Diameter (in)	Interior Diameter (mm)	Outside Diameter (in)	Outside Diameter (mm)	Inner Race Width (in)	Inner Race Width (mm)	Outer Race Width (in)	Outer Race Width (mm)	
842727M1	6008RSRC3	2	1.575	40.00	2.677	68.00	0.591	15.00	0.591	15.00	One Seal
195505M1	208Z	2	1.575	40.00	3.150	80.00	0.709	18.00	0.709	18.00	One Shield
195505V1	208Z	2	1.575	40.00	3.150	80.00	0.709	18.00	0.709	18.00	One Shield
352976X1	6208 2RS1/C3	2	1.575	40.00	3.150	80.00	0.709	18.00	0.709	18.00	Two Seals
833059M1	6208 2RS1/C3	2	1.575	40.00	3.150	80.00	0.709	18.00	0.709	18.00	Two Seals
833059V1	6208 2RS1/C3	2	1.575	40.00	3.150	80.00	0.709	18.00	0.709	18.00	Two Seals
70528519	6208 C3	2	1.575	40.00	3.150	80.00	0.709	18.00	0.709	18.00	No Seals
354353X1	6208NR	2	1.575	40.00	3.150	80.00	0.709	18.00	0.709	18.00	No Seals
71118304	6208-RS	2	1.575	40.00	3.150	80.00	0.709	18.00	0.709	18.00	One Seal
72090062	62208 2RS1C3	2	1.575	40.00	3.150	80.00	0.906	23.00	0.906	23.00	Two Seals
450	308	2	1.575	40.00	3.543	90.00	0.901	23.00	0.901	23.00	No Seals
833647M1	308	2	1.575	40.00	3.543	90.00	0.901	23.00	0.901	23.00	No Seals
72100175	6308	2	1.575	40.00	3.543	90.00	0.906	23.00	0.906	23.00	No Seals
834988M1	6308-RS1	2	1.575	40.00	3.543	90.00	0.906	23.00	0.906	23.00	One Seal
832982M1	6308 2RS/C3	2	1.575	40.00	3.543	90.00	0.906	23.00	0.906	23.00	Two Seals
834470M1	BL308ZZNP/2A	2	1.575	40.00	3.543	90.00	0.906	23.00	0.906	23.00	Two Shields
1101409	6008 C3	2	1.575	40.00	2.677	68.00	0.591	15.00	0.591	15.00	No Seals
30-3065146	6008 2RS2NR/C4P	2	1.575	40.00	2.667	68.00	0.591	15.00	0.591	15.00	Two Seals
72505492V	6008.2RSR.C3.J22R	2	1.575	40.00	2.677	68.00	0.591	15.00	0.591	15.00	Two Seals
72160313	60082RSC4GA2	2	1.575	40.00	2.677	68.00	0.591	15.00	0.591	15.00	Two Seals
3008355X1	6008NR	2	1.575	40.00	2.677	68.00	0.591	15.00	0.591	15.00	No Seals
N11490	208W C2	2	1.575	40.00	3.150	80.00	0.709	18.00	0.709	18.00	No Seals
70528519V	6208 C3	2	1.575	40.00	3.150	80.00	0.709	18.00	0.709	18.00	No Seals
700726228	6208-2RS1TN9/C3VE	2	1.575	40.00	3.150	80.00	0.709	18.00	0.709	18.00	Two Seals
KS5031	6208ZNR	2	1.575	40.00	3.150	80.00	0.709	18.00	0.709	18.00	One Shield
KS5003	BL208NR	2	1.575	40.00	3.150	80.00	0.709	18.00	0.709	18.00	No Seals
832345M1	308Z	2	1.575	40.00	3.543	90.00	0.906	23.00	0.906	23.00	One Shield
700718362	6308 2RS1NTN9/C4	2	1.575	40.00	3.543	90.00	0.906	23.00	0.906	23.00	Two Seals
195498M1	6009NR	2	1.772	45.00	2.953	75.00	0.625	16.00	0.625	16.00	No Seals
195498V1	6009NR	2	1.772	45.00	2.953	75.00	0.628	16.00	0.628	16.00	No Seals
526057	TMB009LLUC3/5C	2	1.772	45.00	2.953	75.00	0.630	16.00	0.630	16.00	Two Seals
1139359	5209	2	1.772	45.00	3.346	85.00	1.189	30.00	1.189	30.00	No Seals
71120308	6209 NR C3	2	1.772	45.00	3.330	85.00	0.740	19.00	0.740	19.00	No Seals
832450M1	6309 RS	2	1.772	45.00	3.937	100.00	0.984	25.00	0.984	25.00	One Seal
834869M1	6309-2RS1C3	2	1.772	45.00	3.937	100.00	0.984	25.00	0.984	25.00	Two Seals
1109136	6309N/C3	2	1.772	45.00	3.930	100.00	0.980	25.00	0.980	25.00	No Seals
843473M1	51209	2	1.772	45.00	2.874	73.00	0.787	20.00	0.787	20.00	No Seals
700721594	6309-2RS1C3	2	1.772	45.00	3.937	100.00	0.984	25.00	0.984	25.00	Two Seals
700721594V	6309-2RS1C3	2	1.772	45.00	3.937	100.00	0.984	25.00	0.984	25.00	Two Seals
3734275M1	6309C3	2	1.772	45.00	3.937	100.00	0.984	25.00	0.984	25.00	No Seals



# Cylindrical Ball Bearings

## Listed in Ascending Order by Interior Diameter

Cylindrical - Round Bore (cont.)											
AGCO Part No.	Manufacturer Part No.	Type	A		B		C		D		Seal Information
			Interior Diameter (in)	Interior Diameter (mm)	Outside Diameter (in)	Outside Diameter (mm)	Inner Race Width (in)	Inner Race Width (mm)	Outer Race Width (in)	Outer Race Width (mm)	
70241833	6009	2	1.772	45.00	2.953	75.00	0.630	16.00	0.630	16.00	No Seals
526057	6009 2RS1C3	2	1.772	45.00	2.953	75.00	0.630	16.00	0.630	16.00	Two Seals
3002233X1	6009 C3	2	1.772	45.00	2.953	75.00	0.630	16.00	0.630	16.00	No Seals
528116	TMB009LLUC3/5C	2	1.772	45.00	2.953	75.00	0.630	16.00	0.630	16.00	Two Seals
528116V	TMB009LLUC3/5C	2	1.772	45.00	2.953	75.00	0.630	16.00	0.630	16.00	Two Seals
832333M1	209	2	1.772	45.00	3.347	85.00	0.748	19.00	0.748	19.00	No Seals
833309M1	3209A C3	2	1.772	45.00	3.347	85.00	1.189	30.20	1.189	30.20	No Seals
1109070	6209.C3.J22R	2	1.772	45.00	3.347	85.00	0.748	19.00	0.748	19.00	No Seals
1138480	6209-2RS1C3	2	1.772	45.00	3.347	85.00	0.748	19.00	0.748	19.00	Two Seals
707636	6209NR	2	1.772	45.00	3.347	85.00	0.748	19.00	0.748	19.00	No Seals
732103	6209-RS1/C3	2	1.772	45.00	3.347	85.00	0.748	19.00	0.748	19.00	One Seal
71145314	6209-RS1/C3	2	1.772	45.00	3.347	85.00	0.748	19.00	0.748	19.00	One Seal
18546X	6209-RS1/C3	2	1.772	45.00	3.347	85.00	0.748	19.00	0.748	19.00	One Seal
70058968	M6209	2	1.772	45.00	3.347	85.00	0.748	19.00	0.748	19.00	No Seals
3724538M1	6409	2	1.772	45.00	4.724	120.00	1.142	29.00	1.142	29.00	No Seals
2759935M1	309SZZ4	2	1.772	45.00	5.000	127.00	1.250	31.75	1.250	31.75	Two Shields
195494V1	6010-Z	2	1.969	50.00	3.150	80.00	0.630	16.00	0.630	16.00	One Shield
1675274M1	6210 ZNBR	2	1.969	50.00	3.543	90.00	0.787	20.00	0.787	20.00	One Shield
1675274V1	6210 ZNBR	2	1.969	50.00	3.543	90.00	0.787	20.00	0.787	20.00	One Shield
195493M1	6210 ZNBR	2	1.969	50.00	3.543	90.00	0.787	20.00	0.787	20.00	One Shield
71117404V	6210-RS1/C3	2	1.969	50.00	3.543	90.00	0.787	20.00	0.787	20.00	One Seal
1104732	6010-2RS1/C3GJN	2	1.969	50.00	3.150	80.00	0.630	16.00	0.630	16.00	Two Seals
106049A	6010-2RS1/C3GJN	2	1.969	50.00	3.150	80.00	0.630	16.00	0.630	16.00	Two Seals
353253X1	6010-2RS1/C3GJN	2	1.969	50.00	3.150	80.00	0.630	16.00	0.630	16.00	Two Seals
WZ579	6010-2RS1/C3GJN	2	1.969	50.00	3.150	80.00	0.630	16.00	0.630	16.00	Two Seals
195494M1	6010-Z	2	1.969	50.00	3.150	80.00	0.630	16.00	0.630	16.00	One Shield
1109182	16010 C3	2	1.969	50.00	3.150	80.00	0.394	10.00	0.394	10.00	No Seals
1108986	6010C3	2	1.969	50.00	3.150	80.00	0.630	16.00	0.630	16.00	No Seals
3003277X1	6010C3	2	1.969	50.00	3.150	80.00	0.591	15.00	0.591	15.00	No Seals
842504M1	210RS1/MT33	2	1.969	50.00	3.543	90.00	0.787	20.00	0.787	20.00	One Seal
15192	5210 ZZ	2	1.969	50.00	3.543	90.00	1.188	30.16	1.188	30.16	Two Shields
70223712	6210 ZNR	2	1.969	50.00	3.543	90.00	0.787	20.00	0.787	20.00	One Shield
17522	6210-2RS-C3	2	1.969	50.00	3.543	90.00	0.787	20.00	0.787	20.00	Two Seals
12395	6210C3.J22R	2	1.969	50.00	3.543	90.00	0.787	20.00	0.787	20.00	No Seals
72503933	210	2	1.969	50.00	3.543	90.00	0.787	20.00	0.787	20.00	No Seals
391162X1	6210	2	1.969	50.00	3.543	90.00	0.787	20.00	0.787	20.00	No Seals
354919X1	6210 2RSGA2	2	1.969	50.00	3.543	90.00	0.787	20.00	0.787	20.00	Two Seals
71169762	6210LUNRSC3/3A	2	1.969	50.00	3.150	80.00	0.630	16.00	0.630	16.00	One Seal
71116581	6210.2RSRC3.J22R	2	1.969	50.00	3.543	90.00	0.787	20.00	0.787	20.00	Two Seals
1109073	6210C3.J22R	2	1.969	50.00	3.543	90.00	0.787	20.00	0.787	20.00	No Seals



# Cylindrical Ball Bearings

## Listed in Ascending Order by Interior Diameter

Cylindrical - Round Bore (cont.)											
AGCO Part No.	Manufacturer Part No.	Type	A		B		C		D		Seal Information
			Interior Diameter (in)	Interior Diameter (mm)	Outside Diameter (in)	Outside Diameter (mm)	Inner Race Width (in)	Inner Race Width (mm)	Outer Race Width (in)	Outer Race Width (mm)	
70224837	6210NRC3	2	1.969	50.00	3.543	90.00	0.787	20.00	0.787	20.00	No Seals
71117404	6210-RS1/C3	2	1.969	50.00	3.543	90.00	0.787	20.00	0.787	20.00	One Seal
3734238M1	6210ZZC3	2	1.969	50.00	3.543	90.00	0.787	20.00	0.787	20.00	Two Seals
831962M1	M6210C3	2	1.969	50.00	3.543	90.00	0.787	20.00	0.787	20.00	No Seals
842516M1	M6210C3	2	1.969	50.00	3.543	90.00	0.787	20.00	0.787	20.00	No Seals
71335182	62102RS1VE391	2	1.969	50.00	3.543	90.00	0.787	20.00	0.787	20.00	One Seal
3003258X1	6210RS	2	1.969	50.00	3.543	90.00	0.787	20.00	0.787	20.00	One Seal
195493V1	6210ZZNR	2	1.969	50.00	3.543	90.00	0.787	20.00	0.787	20.00	Two Shields
71154852	6310	2	1.969	50.00	4.331	110.00	1.063	27.00	1.063	27.00	No Seals
71195912	6310-2RS	2	1.969	50.00	4.331	110.00	1.063	27.00	1.063	27.00	Two Seals
834880M1	6310ZZNR	2	1.969	50.00	4.331	110.00	1.063	27.00	1.063	27.00	Two Shields
71151719	WK2250.T1428	1	2.125	54.00	2.500	63.50	1.500	38.00	0.747	19.00	Two Seals
1171767	6811	2	2.165	55.00	2.835	72.00	0.354	9.00	0.354	9.00	No Seals
72099498	6911 LLBC3/2E	2	2.165	55.00	3.150	80.00	0.500	12.70	0.500	12.70	Two Seals
834218V1	6011	2	2.165	55.00	3.543	90.00	0.709	18.00	0.709	18.00	No Seals
71344589	6011 NR	2	2.165	55.00	3.543	90.00	0.709	18.00	0.709	18.00	No Seals
70526542	6011 2RS	2	2.165	55.00	3.543	90.00	0.709	18.00	0.709	18.00	Two Seals
3734295M1	1211	2	2.165	55.00	3.637	92.38	0.827	21.00	0.827	21.00	No Seals
834851M1	6211 NR/C3	2	2.165	55.00	3.937	100.00	0.827	21.00	0.827	21.00	No Seals
195507M1	6211-Z	2	2.165	55.00	3.937	100.00	0.827	21.00	0.827	21.00	One Shield
70231175	BL211ZNRC3	2	2.165	55.00	3.937	100.00	0.827	21.00	0.827	21.00	One Shield
72513918	6211	2	2.165	55.00	3.937	100.00	0.827	21.00	0.827	21.00	No Seals
1692601M1	6211.C3.J22R	2	2.165	55.00	3.937	100.00	0.827	21.00	0.827	21.00	No Seals
31-1653360	MRC211M	2	2.165	55.00	3.920	100.00	0.820	21.00	0.820	21.00	No Seals
103633W1	6311ZC3	2	2.165	55.00	4.724	120.00	1.142	29.00	1.142	29.00	One Shield
71398331	6311-2RS1/C3GJN	2	2.165	55.00	4.724	120.00	1.142	29.00	1.142	29.00	Two Seals
15337	SKF 311	2	2.165	55.00	4.724	120.00	1.142	29.00	1.142	29.00	No Seals
N15337	SKF 311	2	2.165	55.00	4.724	120.00	1.142	29.00	1.142	29.00	No Seals
70276826	6007	2	2.165	55.00	3.543	90.00	0.709	18.00	0.709	18.00	No Seals
834218M1	6011	2	2.165	55.00	3.543	90.00	0.709	18.00	0.709	18.00	No Seals
391261X1	6011	2	2.165	55.00	3.543	90.00	0.709	18.00	0.709	18.00	No Seals
8051005	22211 E/C3	2	2.165	55.00	3.937	100.00	0.984	25.00	0.984	25.00	No Seals
843278M1	3211 C3	2	2.165	55.00	3.937	100.00	1.311	33.30	1.311	33.30	No Seals
70242703	5211WL	2	2.165	55.00	3.937	100.00	1.313	33.34	1.313	33.34	No Seals
71179458	6211-2RS1C3	2	2.165	55.00	3.937	100.00	0.827	21.00	0.827	21.00	Two Seals
195507V1	6211-Z	2	2.165	55.00	3.937	100.00	0.827	21.00	0.827	21.00	One Shield
71340495	6311-2RS1/C3	2	2.165	55.00	4.724	120.00	1.142	29.00	1.142	29.00	Two Seals
831187M1	6211-2RS1C3	2	2.165	55.00	3.937	100.00	0.827	21.00	0.827	21.00	Two Seals
832544M2	62112RSNR	2	2.165	55.00	3.937	100.00	0.827	21.00	0.827	21.00	Two Seals
831186M1	6211-Z	2	2.165	55.00	3.937	100.00	0.827	21.00	0.827	21.00	One Shield





# Cylindrical Ball Bearings

## Listed in Ascending Order by Interior Diameter

Cylindrical - Round Bore (cont.)											
AGCO Part No.	Manufacturer Part No.	Type	A		B		C		D		Seal Information
			Interior Diameter (in)	Interior Diameter (mm)	Outside Diameter (in)	Outside Diameter (mm)	Inner Race Width (in)	Inner Race Width (mm)	Outer Race Width (in)	Outer Race Width (mm)	
833733M1	60122RS	2	2.362	60.00	3.740	95.00	0.709	18.00	0.709	18.00	Two Seals
3734221M1	6212C3	2	2.362	60.00	4.331	110.00	0.866	22.00	0.866	22.00	No Seals
165971A	6212-NR	2	2.362	60.00	4.331	110.00	0.866	22.00	0.866	22.00	No Seals
12365	6212-RS1	2	2.362	60.00	4.331	110.00	0.866	22.00	0.866	22.00	One Seal
1051469M1	6212ZC3	2	2.362	60.00	4.331	110.00	0.866	22.00	0.866	22.00	One Shield
833273M1	212WD C1	2	2.362	60.00	4.330	110.00	0.866	22.00	0.866	22.00	One Shield
70240103	5212	2	2.362	60.00	4.331	110.00	1.437	36.50	1.437	36.50	No Seals
71363435	6212 2RS1	2	2.362	60.00	4.381	110.00	0.866	22.00	0.866	22.00	Two Seals
353034X1	6212 2RS1	2	2.362	60.00	4.381	110.00	0.866	22.00	0.866	22.00	Two Seals
832811M1	6212 2RS1	2	2.362	60.00	4.381	110.00	0.866	22.00	0.866	22.00	Two Seals
712083	312NPP	2	2.362	60.00	5.118	130.00	1.221	31.00	1.221	31.00	Two Seals
1109147	6312NR	2	2.362	60.00	5.118	130.00	1.221	31.00	1.221	31.00	No Seals
72091001	16013	2	2.559	65.00	3.937	100.00	0.433	11.00	0.433	11.00	No Seals
339673X1	6013	2	2.559	65.00	3.937	100.00	0.709	18.00	0.709	18.00	No Seals
71160100	6013.2RSR.C3.J22R	2	2.559	65.00	3.936	100.00	0.709	18.00	0.709	18.00	Two Seals
71370205	6213-2RS1	2	2.559	65.00	4.724	120.00	0.906	23.00	0.906	23.00	Two Seals
833373M1	6213-2RS1	2	2.559	65.00	4.724	120.00	0.906	23.00	0.906	23.00	Two Seals
72090065	6313C3	2	2.559	65.00	5.512	140.00	1.290	32.77	1.290	32.77	No Seals
72091001V	16013	2	2.559	65.00	3.937	100.00	0.433	11.00	0.433	11.00	No Seals
70937250	6014.2RSR.C3.J22R	2	2.756	70.00	4.331	110.00	0.787	20.00	0.787	20.00	Two Seals
1108994	6014 C3	2	2.756	70.00	4.331	110.00	0.787	20.00	0.787	20.00	No Seals
70937250V	6014.2RSR.C3.J22R	2	2.756	70.00	4.331	110.00	0.787	20.00	0.787	20.00	Two Seals
1108994	6014-C3	2	2.756	70.00	4.331	110.00	0.787	20.00	0.787	20.00	No Seals
832251M1	70 BC 10	2	2.755	70.00	4.330	110.00	0.787	20.00	0.787	20.00	Two Seals
1109090	6214	2	2.756	70.00	4.921	125.00	0.945	24.00	0.945	24.00	No Seals
1130642	6214N	2	2.756	70.00	4.921	125.00	0.945	24.00	0.945	24.00	No Seals
70928286	2152NR	2	2.953	75.00	5.118	130.00	0.984	25.00	0.984	25.00	No Seals
7713894	215WNPP	2	2.953	75.00	5.118	130.00	0.984	25.00	0.984	25.00	Two Seals
1109091	6215 C3	2	2.953	75.00	5.118	130.00	0.984	25.00	0.984	25.00	No Seals
833195M1	6215-2Z	2	2.953	75.00	5.118	130.00	0.984	25.00	0.984	25.00	Two Shields
842046M1	6215-Z	2	2.953	75.00	5.118	130.00	0.984	25.00	0.984	25.00	One Shield
71195913	6015 2RS1	2	2.953	75.00	4.528	115.00	0.787	20.00	0.787	20.00	Two Seals
842133M1	215-2Z/BL	2	2.953	75.00	5.118	130.00	0.984	25.00	0.984	25.00	Two Shields
1109092	6215N	2	2.953	75.00	5.118	130.00	0.984	25.00	0.984	25.00	No Seals
70928286	215ZNR	2	2.953	75.00	5.118	130.00	0.984	25.00	0.984	25.00	One Shield
W9112830	62152RSGA2	2	2.953	75.00	5.118	130.00	0.984	25.00	0.984	25.00	Two Seals
1109093	6216	2	3.150	80.00	5.512	140.00	1.024	26.00	1.024	26.00	No Seals
12402	6017	2	3.347	85.00	5.118	130.00	0.866	22.00	0.866	22.00	No Seals
W9112600	6017-2RS1/C3	2	3.347	85.00	5.117	130.00	0.866	22.00	0.866	22.00	Two Seals
1109094	6217	2	3.347	85.00	5.906	150.00	1.102	28.00	1.102	28.00	No Seals



# Cylindrical Ball Bearings

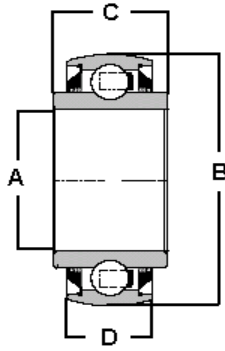
## Listed in Ascending Order by Interior Diameter

Cylindrical - Round Bore (cont.)											
AGCO Part No.	Manufacturer Part No.	Type	A		B		C		D		Seal Information
			Interior Diameter (in)	Interior Diameter (mm)	Outside Diameter (in)	Outside Diameter (mm)	Inner Race Width (in)	Inner Race Width (mm)	Outer Race Width (in)	Outer Race Width (mm)	
832316M1	6217 Z3C/2A	2	3.347	85.00	5.906	150.00	1.102	28.00	1.102	28.00	One Shield
W9112640	6217LLU/2A	2	3.347	85.00	5.906	150.00	1.102	28.00	1.102	28.00	Two Seals
842047M1	6018Z	2	3.543	90.00	5.512	140.00	0.945	24.00	0.945	24.00	One Shield
1109002	6018	2	3.543	90.00	5.512	140.00	0.945	24.00	0.945	24.00	No Seals
1109096	6219	2	3.740	95.00	6.693	170.00	1.260	32.00	1.260	32.00	No Seals
700717727	6020-2RS1	2	3.937	100.00	5.906	150.00	0.984	25.00	0.984	25.00	Two Seals
211964	6022	2	4.331	110.00	6.693	170.00	1.102	28.00	1.102	28.00	No Seals
Special Ball Bearings											
7714660	8386TN	1	0.250	6.35	1.125	28.58	0.344	8.74	0.280	7.11	No Seals
700722661	SR342-436RS	1	0.250	6.35	1.250	31.75	0.500	12.70	0.310	7.87	Two Seals
71141240	D3300-13DSI	1	0.376	9.55	2.250	57.15	1.000	25.40	0.875	22.23	Two Seals

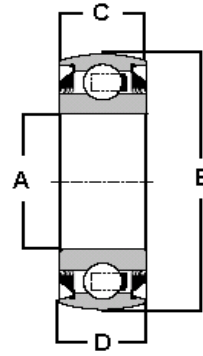


# Spherical Ball Bearings

## Listed in Ascending Order by Interior Diameter



Type 3



Type 4

AGCO offers a wide range of bearings from a number of manufacturers. These Manufacturer Part Numbers are listed for reference only. The part number will not guarantee a specific manufacturer.

Spherical - Hex Bore											
AGCO Part No.	Manufacturer Part No.	Type	A Interior Diameter		B Outside Diameter		C Inner Race Width		D Outer Race Width		Seal Information
			(in)	(mm)	(in)	(mm)	(in)	(mm)	(in)	(mm)	
70575154	BS223193	3	0.866	22.00	2.047	52.00	0.984	25.00	0.591	15.00	Two Seals
31-2475140	205KRRB2 C1	3	0.875	22.25	2.047	52.00	1.000	25.40	0.586	14.87	Two Seals
N856695	2AH05-7/8	3	0.875	22.25	2.047	52.00	1.000	25.40	0.591	15.00	Two Seals
713172	206KRRB6	3	1.000	25.40	2.441	62.00	0.945	24.00	0.720	18.29	Two Seals
7714603	G206KRRB6	4	1.000	25.40	2.441	62.00	0.945	24.00	0.945	24.00	Two Seals
844075M1	207KRRB9	3	1.125	28.60	2.834	72.00	1.484	37.70	0.669	17.00	Two Seals
71197194	207KRRB9	3	1.125	28.60	2.834	72.00	1.484	37.70	0.669	17.00	Two Seals
713834	SBX07A42LLMC3Q1	4	1.250	31.75	2.835	72.00	1.484	40.00	1.484	40.00	Two Seals
70575883	W208PPB16	3	1.260	32.00	3.150	80.00	1.417	36.00	0.669	17.00	Two Seals
70586143	GW208PPB29	3	1.299	33.00	3.150	80.00	1.457	37.00	1.181	30.00	Two Seals
Spherical - Round Bore											
831091M1	CS202LLU/2A	4	0.591	15.00	1.378	35.00	0.433	11.00	0.433	11.00	Two Seals
832009M1	CS203LLU	4	0.669	17.00	1.575	40.00	0.472	12.00	0.472	12.00	Two Seals
293011M1	CS 205D1LLRV1	4	0.984	25.00	2.047	52.00	0.591	15.00	0.591	15.00	Two Seals
831112M1	CS205LLU	4	0.984	25.00	2.047	52.00	0.591	15.00	0.591	15.00	Two Seals
833757M1	6305-2RS SPH	4	0.984	25.00	2.441	62.00	0.669	17.00	0.669	17.00	Two Seals
11407	BS221261L1	3	1.000	25.40	2.047	52.00	1.236	31.39	0.591	15.00	Two Seals
11407V	BS221261L1	3	1.000	25.40	2.047	52.00	1.236	31.39	0.591	15.00	Two Seals
70536147	SBX06A59LLXQ1	3	1.125	28.58	2.441	62.00	0.945	24.00	0.630	16.00	Two Seals
71505895	207KRRB12	3	1.126	28.60	2.835	72.00	0.984	25.00	0.669	17.00	Two Seals
834533M1	6306-2RS	4	1.181	30.00	2.835	72.00	0.748	19.00	0.748	19.00	Two Seals
W510514E	206KRRB	4	1.181	30.00	2.441	62.00	0.630	16.00	0.630	16.00	Two Seals
831087M1	6206-2RS	4	1.181	30.00	2.441	62.00	0.630	16.00	0.630	16.00	Two Seals
834750M1	6206-RS	4	1.181	30.00	2.441	62.00	0.630	16.00	0.630	16.00	One Seal
17637	207KRR PRB	3	1.378	35.00	2.835	72.00	0.984	25.00	0.669	17.00	Two Seals
831822M1	CS207LLU	4	1.378	35.00	2.835	72.00	0.669	17.00	0.669	17.00	Two Seals
831822V1	CS207LLU	4	1.378	35.00	2.835	72.00	0.669	17.00	0.669	17.00	Two Seals



# Spherical Ball Bearings

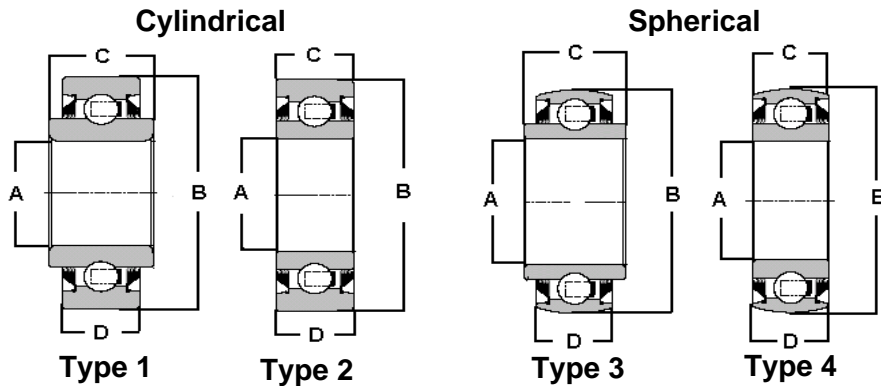
## Listed in Ascending Order by Interior Diameter

Spherical - Round Bore (cont.)											
AGCO Part No.	Manufacturer Part No.	Type	A		B		C		D		Seal Information
			Interior Diameter (in)	Interior Diameter (mm)	Outside Diameter (in)	Outside Diameter (mm)	Inner Race Width (in)	Inner Race Width (mm)	Outer Race Width (in)	Outer Race Width (mm)	
831861M1	CS307LLU	4	1.378	35.00	3.150	80.00	0.827	21.00	0.827	21.00	Two Seals
34-0103	W209PPB4 C2	4	1.535	39.00	3.347	85.00	1.188	30.16	1.188	30.16	Two Seals
353152X1	CS204LLU	4	1.575	40.00	3.150	80.00	0.709	18.00	0.709	18.00	Two Seals
832087M1	CS208LLU	4	1.575	40.00	3.150	80.00	0.709	18.00	0.709	18.00	Two Seals
843291M1	1-726308-RS	4	1.575	40.00	3.543	90.00	0.906	23.00	0.906	23.00	One Seal
31-1588410	6308-2RS	4	1.575	40.00	3.543	90.00	0.906	23.00	0.906	23.00	Two Seals
831134M1	CS209LLU	4	1.772	45.00	3.346	85.00	0.748	19.00	0.748	19.00	Two Seals
842079M1	CS309LLU_2A	4	1.772	45.00	3.937	100.00	0.984	25.00	0.984	25.00	Two Seals
31-0072	W209PPB2 C4	4	1.772	45.00	3.347	85.00	1.188	30.16	1.188	30.16	Two Seals
71141190	1726309 2RS1	4	1.772	45.00	3.937	100.00	0.984	25.00	0.984	25.00	Two Seals
E10771	3AC10-1.15/16D1V1	4	1.938	49.21	3.543	90.00	1.188	30.16	1.188	30.16	Two Seals
833741M1	CS210LLU	4	1.969	50.00	3.543	90.00	0.787	20.00	0.787	20.00	Two Seals
71154722	1726310 2RS	4	1.969	50.00	4.331	110.00	1.063	27.00	1.063	27.00	Two Seals
842434M1	6210-RS	4	1.969	50.00	3.543	90.00	0.787	20.00	0.787	20.00	One Seal
842529M1	6311-2NSL	4	2.165	55.00	4.724	120.00	1.137	28.87	1.137	28.87	No Seals
834676M1	CS212D1V2	4	2.362	60.00	4.331	110.00	0.866	22.00	0.866	22.00	Two Seals
72161859	RYLE 212	4	2.362	60.00	4.331	110.00	0.866	22.00	0.866	22.00	No Seals
834871M1	CS213D1V2	4	2.559	65.00	4.724	120.00	0.905	23.00	0.905	23.00	Two Seals
844490M1	6313-2RS	4	2.559	65.00	5.512	140.00	1.299	33.00	1.299	33.00	Two Seals
Spherical - Spline Bore											
106823	207KRRB12SPL	3	1.465	37.21	2.835	72.00	0.984	25.00	0.669	17.00	Two Seals
Spherical - Square Bore											
70589573	GW209PPB5	3	1.250	31.80	3.346	85.00	1.438	36.53	1.188	30.18	Two Seals



# Ball Bearings

Listed in Ascending Order by Manufacturer Part No.



AGCO offers a wide range of bearings from a number of manufacturers. These Manufacturer Part Numbers are listed for reference only. The part number will not guarantee a specific manufacturer.

Spherical and Cylindrical Ball Bearings											
AGCO Part No.	Manufacturer Part No.	T	B	A		B		C		D	
				yp	re	Interior Diameter (in)	Interior Diameter (mm)	Outside Diameter (in)	Outside Diameter (mm)	Inner Race Width (in)	Inner Race Width (mm)
3734295M1	1211	2	rd	2.165	55.00	3.637	92.38	0.827	21.00	0.827	21.00
14292X	1305	2	rd	0.984	25.00	2.441	62.00	0.669	17.00	0.669	17.00
1109310	1306L	2	rd	1.181	30.00	2.835	72.00	0.748	19.00	0.748	19.00
71143645	1306L	2	rd	1.181	30.00	2.835	72.00	0.748	19.00	0.748	19.00
1109182	16010 C3	2	rd	1.969	50.00	3.150	80.00	0.394	10.00	0.394	10.00
72091001	16013	2	rd	2.559	65.00	3.937	100.00	0.433	11.00	0.433	11.00
72091001V	16013	2	rd	2.559	65.00	3.937	100.00	0.433	11.00	0.433	11.00
K4823	1623 DCTN	2	rd	0.625	15.88	1.375	34.93	0.438	11.11	0.438	11.11
H475627R91	1630 DC	2	rd	0.750	19.05	1.625	41.26	0.500	12.70	0.500	12.70
834054M1	1635	2	rd	0.750	19.05	1.750	44.45	0.500	12.70	0.500	12.70
195464M1	1641 DC	2	rd	1.000	25.40	2.000	50.80	0.558	14.16	0.558	14.16
833906M1	16412RS	2	rd	1.000	25.40	2.000	50.80	0.562	14.27	0.562	14.27
831484M1	1654NSTN	2	rd	1.250	31.75	2.500	63.50	0.625	16.00	0.625	16.00
843291M1	1-726308-RS	4	rd	1.575	40.00	3.543	90.00	0.906	23.00	0.906	23.00
71141190	1726309 2RS1	4	rd	1.772	45.00	3.937	100.00	0.984	25.00	0.984	25.00
71154722	1726310 2RS	4	rd	1.969	50.00	4.331	110.00	1.063	27.00	1.063	27.00
1070839M1	202KRR7	2	rd	0.500	12.70	1.500	38.00	0.567	14.40	0.567	14.40
70335306	203KR2	2	rd	0.625	15.88	1.575	40.00	0.551	14.00	0.551	14.00
3643380M1	203KRR2	1	rd	0.640	16.26	1.575	40.00	0.720	18.29	0.472	12.00
710673	203KRR5	1	rd	0.515	13.08	1.575	40.00	0.720	18.29	0.473	12.00
W9110090	203KRR6 C1	2	rd	0.625	15.88	1.850	47.00	0.720	18.29	0.720	18.29
832768M1	203NPP9	2	rd	0.625	15.88	1.575	40.00	0.500	12.70	0.500	12.70
834732M1	203SZZ38	2	rd	0.625	15.88	1.575	40.00	0.472	12.00	0.472	12.00
852270	204PY3 E8728	1	rd	0.636	16.15	1.780	45.21	0.735	18.67	0.610	15.49
70571020	204RR8 E8728	2	rd	0.631	16.03	1.781	45.22	0.610	15.49	0.610	15.49
70205756	205KL C3	1	rd	0.984	25.00	2.047	52.00	0.625	15.88	0.591	15.00
W232380B	205KRR2 C1	1	hx	0.876	22.25	2.047	52.00	1.000	25.40	0.590	15.00
31-2475140	205KRRB2 C1	3	hx	0.875	22.25	2.047	52.00	1.000	25.40	0.586	14.87



# Ball Bearings

Listed in Ascending Order by Manufacturer Part No.

Spherical and Cylindrical Ball Bearings (cont.)											
AGCO Part No.	Manufacturer Part No.	T	B	A		B		C		D	
				Interior Diameter (in)	(mm)	Outside Diameter (in)	(mm)	Inner Race Width (in)	(mm)	Outer Race Width (in)	(mm)
361364	205KRRP2	1	rd	0.750	19.05	2.047	52.00	0.838	21.29	0.591	15.00
SNDR30005	205KRRP2	1	rd	0.750	19.05	2.047	52.00	0.838	21.29	0.591	15.00
W9111910	206 NRJ	2	rd	1.181	30.00	2.441	62.00	0.630	16.00	0.630	16.00
W9111930	206J	2	rd	1.181	30.00	2.441	62.00	0.630	16.00	0.630	16.00
71302496	206KRR7 C1	1	rd	1.181	30.00	2.441	62.00	0.945	24.00	0.630	16.00
842374M1	206KRR8	1	rd	1.181	30.00	2.441	62.00	0.945	24.00	0.630	16.00
W510514E	206KRRB	4	rd	1.181	30.00	2.441	62.00	0.630	16.00	0.630	16.00
713172	206KRRB6	3	hx	1.000	25.40	2.441	62.00	0.945	24.00	0.720	18.29
70058974	207	2	rd	1.378	35.00	2.835	72.00	0.669	17.00	0.669	17.00
17637	207KRR PRB	3	rd	1.378	35.00	2.835	72.00	0.984	25.00	0.669	17.00
71132366	207KRR3	1	rd	1.378	35.00	2.835	72.00	0.984	25.00	0.669	17.00
W9112180	207KRR4	1	rd	1.378	35.00	2.677	68.00	0.945	24.00	0.827	21.00
7714298	207KRR8	2	rd	1.378	35.00	2.835	72.00	0.840	21.33	0.840	21.33
71505895	207KRRB12	3	rd	1.126	28.60	2.835	72.00	0.984	25.00	0.669	17.00
106823	207KRRB12SPL	3	sp	1.465	37.21	2.835	72.00	0.984	25.00	0.669	17.00
844075M1	207KRRB9	3	hx	1.125	28.60	2.834	72.00	1.484	37.70	0.669	17.00
71197194	207KRRB9	3	hx	1.125	28.60	2.834	72.00	1.484	37.70	0.669	17.00
17526	207P Z6	2	rd	1.378	35.00	2.835	72.00	0.669	17.00	0.669	17.00
70212243	207PR	2	rd	1.378	35.00	2.835	72.00	0.669	17.00	0.669	17.00
70210290	207ZJ	2	rd	1.378	35.00	2.835	72.00	0.669	17.00	0.669	17.00
WAC10938A	208 KRR2	1	rd	1.575	40.00	3.150	80.00	1.063	27.00	0.827	21.00
831469M1	208-ZZ	2	rd	1.575	40.00	3.150	80.00	0.709	18.00	0.709	18.00
70210027	208K C2	2	rd	1.575	40.00	3.150	80.00	0.709	18.00	0.709	18.00
71131910	208KRR4	1	rd	1.531	38.89	3.150	80.00	1.083	27.51	0.827	21.00
N11490	208W C2	2	rd	1.575	40.00	3.150	80.00	0.709	18.00	0.709	18.00
195505M1	208Z	2	rd	1.575	40.00	3.150	80.00	0.709	18.00	0.709	18.00
195505V1	208Z	2	rd	1.575	40.00	3.150	80.00	0.709	18.00	0.709	18.00
832333M1	209	2	rd	1.772	45.00	3.347	85.00	0.748	19.00	0.748	19.00
70596130	20SBG2209E3	1	sq	1.299	33.00	3.346	85.00	1.417	36.00	1.181	30.00
72503933	210	2	rd	1.969	50.00	3.543	90.00	0.787	20.00	0.787	20.00
842504M1	210RS1/MT33	2	rd	1.969	50.00	3.543	90.00	0.787	20.00	0.787	20.00
833273M1	212WD C1	2	rd	2.362	60.00	4.330	110.00	0.866	22.00	0.866	22.00
70928286	2152NR	2	rd	2.953	75.00	5.118	130.00	0.984	25.00	0.984	25.00
842133M1	215-ZZ/BL	2	rd	2.953	75.00	5.118	130.00	0.984	25.00	0.984	25.00
7713894	215WNPP	2	rd	2.953	75.00	5.118	130.00	0.984	25.00	0.984	25.00
70928286	215ZNR	2	rd	2.953	75.00	5.118	130.00	0.984	25.00	0.984	25.00
8051005	22211 E/C3	2	rd	2.165	55.00	3.937	100.00	0.984	25.00	0.984	25.00
71396472	2306 E-2RS1TN9	2	rd	1.181	30.00	2.835	72.00	1.063	27.00	1.063	27.00
N856695	2AH05-7/8	3	hx	0.875	22.25	2.047	52.00	1.000	25.40	0.591	15.00
842117M1	307Z	2	rd	1.378	35.00	3.150	80.00	0.827	21.00	0.827	21.00



# Ball Bearings

Listed in Ascending Order by Manufacturer Part No.

Spherical and Cylindrical Ball Bearings (cont.)											
AGCO Part No.	Manufacturer Part No.	T y p e	B o r e	A		B		C		D	
				Interior Diameter (in)	(mm)	Outside Diameter (in)	(mm)	Inner Race Width (in)	(mm)	Outer Race Width (in)	(mm)
450	308	2	rd	1.575	40.00	3.543	90.00	0.901	23.00	0.901	23.00
833647M1	308	2	rd	1.575	40.00	3.543	90.00	0.901	23.00	0.901	23.00
832345M1	308Z	2	rd	1.575	40.00	3.543	90.00	0.906	23.00	0.906	23.00
2759935M1	309SZZ4	2	rd	1.772	45.00	5.000	127.00	1.250	31.75	1.250	31.75
712083	312NPP	2	rd	2.362	60.00	5.118	130.00	1.221	31.00	1.221	31.00
834183M1	3203-A/C3/TS	2	rd	0.669	17.00	1.575	40.00	0.688	17.46	0.688	17.46
1047513M1	3204ATN9/C3	2	rd	0.787	20.00	1.850	47.00	0.820	20.83	0.820	20.83
833309M1	3209A_C3	2	rd	1.772	45.00	3.347	85.00	1.189	30.20	1.189	30.20
843278M1	3211 C3	2	rd	2.165	55.00	3.937	100.00	1.311	33.30	1.311	33.30
7711534	37PP C3	2	rd	0.276	7.00	0.866	22.00	0.276	7.00	0.276	7.00
E10771	3AC10-1.15/16D1V1	4	rd	1.938	49.21	3.543	90.00	1.188	30.16	1.188	30.16
832464M1	408	2	rd	1.575	40.00	4.331	110.00	1.060	27.00	1.060	27.00
842415M1	408	2	rd	1.575	40.00	4.331	110.00	1.060	27.00	1.060	27.00
70800420	488016	2	rd	0.630	16.00	1.378	35.00	0.566	14.38	0.566	14.38
70800421	488503	2	rd	0.669	17.00	1.575	40.00	0.654	16.60	0.654	16.60
843473M1	51209	2	rd	1.772	45.00	2.874	73.00	0.787	20.00	0.787	20.00
71391540	5200 A2RS1TN9/C3	2	rd	0.394	10.00	1.181	30.00	0.551	14.00	0.551	14.00
1904850M1	5201KDD	2	rd	0.480	12.00	1.260	32.00	0.620	15.75	0.620	15.75
1173588	5203KCL	2	rd	0.669	17.00	1.575	40.00	0.669	17.00	0.669	17.00
SN7218	5203KYY2	1	rd	0.669	17.00	1.575	40.00	1.737	44.12	1.540	39.12
7714629	5203PP4	2	rd	0.669	17.00	1.575	40.00	0.813	20.64	0.813	20.64
W10P1499	5204 H	2	rd	0.787	20.00	1.850	47.00	0.811	20.60	0.811	20.60
71336974	5204PP A4257	2	rd	0.787	20.00	1.850	47.00	0.938	23.81	0.938	23.81
AG514757	5205-A2RS	2	rd	0.984	25.00	2.047	52.00	0.787	20.00	0.787	20.00
1139359	5209	2	rd	1.772	45.00	3.346	85.00	1.189	30.00	1.189	30.00
15192	5210 ZZ	2	rd	1.969	50.00	3.543	90.00	1.188	30.16	1.188	30.16
70242703	5211WL	2	rd	2.165	55.00	3.937	100.00	1.313	33.34	1.313	33.34
70240103	5212	2	rd	2.362	60.00	4.331	110.00	1.437	36.50	1.437	36.50
1171646	526072A	2	rd	0.591	15.00	1.250	31.75	0.590	15.00	0.590	15.00
30-3022617	5304	2	rd	0.787	20.00	2.047	52.00	0.874	22.20	0.874	22.20
3435646M1	6002LLU/5C3	2	rd	0.591	15.00	1.260	32.00	0.354	9.00	0.354	9.00
6664999	6003-2RS1	2	rd	0.669	17.00	1.378	35.00	0.394	10.00	0.394	10.00
1136079	6004 2RS (A)	2	rd	0.787	20.00	1.654	42.00	0.472	12.00	0.472	12.00
526253	6004 C3	2	rd	0.787	20.00	1.654	42.00	0.472	12.00	0.472	12.00
1136079V	6004.2RSR	2	rd	0.787	20.00	1.654	42.00	0.472	12.00	0.472	12.00
70931690	6004LLUNR	2	rd	0.787	20.00	1.654	42.00	0.472	12.00	0.472	12.00
33-0065471	6004LU	2	rd	0.787	20.00	1.654	42.00	0.472	12.00	0.472	12.00
1124697	6005-RS1	2	rd	0.984	25.00	1.850	47.00	0.472	12.00	0.472	12.00
72098927	6006	2	rd	1.181	30.00	2.165	55.00	0.512	13.00	0.512	13.00
1139517	6006LLUC3/5C	2	rd	1.181	30.00	2.165	55.00	0.512	13.00	0.512	13.00



# Ball Bearings

Listed in Ascending Order by Manufacturer Part No.

Spherical and Cylindrical Ball Bearings (cont.)											
AGCO Part No.	Manufacturer Part No.	T y p e	B o r e	A		B		C		D	
				Interior Diameter (in)	(mm)	Outside Diameter (in)	(mm)	Inner Race Width (in)	(mm)	Outer Race Width (in)	(mm)
390940X1	6006LU	2	rd	1.181	30.00	2.165	55.00	0.512	13.00	0.512	13.00
70276826	6007	2	rd	2.165	55.00	3.543	90.00	0.709	18.00	0.709	18.00
KS5030A	6007 RSJ	2	rd	1.378	35.00	2.441	62.00	0.551	14.00	0.551	14.00
835163M1	6007-2RS1	2	rd	1.378	35.00	2.441	62.00	0.551	14.00	0.551	14.00
72503499	60072RS1C3	2	rd	1.378	35.00	2.441	62.00	0.551	14.00	0.551	14.00
30-3065162	6007-2RS2/C4LHT23	2	rd	1.378	35.00	2.441	62.00	0.551	14.00	0.551	14.00
72100838	6007-NR	2	rd	1.378	35.00	2.441	62.00	0.550	14.00	0.550	14.00
3000724X1	6007RS	2	rd	1.378	35.00	2.441	62.00	0.551	14.00	0.551	14.00
30-3065146	6008 2RS2NR/C4P	2	rd	1.575	40.00	2.667	68.00	0.591	15.00	0.591	15.00
1101409	6008 C3	2	rd	1.575	40.00	2.677	68.00	0.591	15.00	0.591	15.00
72505492	6008.2RSR.C3.J22R	2	rd	1.575	40.00	2.577	65.46	0.591	15.00	0.591	15.00
72505492V	6008.2RSR.C3.J22R	2	rd	1.575	40.00	2.677	68.00	0.591	15.00	0.591	15.00
72160313	60082RSC4GA2	2	rd	1.575	40.00	2.677	68.00	0.591	15.00	0.591	15.00
3008355X1	6008NR	2	rd	1.575	40.00	2.677	68.00	0.591	15.00	0.591	15.00
1138875	6008RSRC3	2	rd	1.575	40.00	2.677	68.00	0.591	15.00	0.591	15.00
70928929	6008RSRC3	2	rd	1.575	40.00	2.677	68.00	0.591	15.00	0.591	15.00
842727M1	6008RSRC3	2	rd	1.575	40.00	2.677	68.00	0.591	15.00	0.591	15.00
70241833	6009	2	rd	1.772	45.00	2.953	75.00	0.630	16.00	0.630	16.00
526057	6009 2RS1C3	2	rd	1.772	45.00	2.953	75.00	0.630	16.00	0.630	16.00
3002233X1	6009 C3	2	rd	1.772	45.00	2.953	75.00	0.630	16.00	0.630	16.00
195498M1	6009NR	2	rd	1.772	45.00	2.953	75.00	0.625	16.00	0.625	16.00
195498V1	6009NR	2	rd	1.772	45.00	2.953	75.00	0.628	16.00	0.628	16.00
1104732	6010-2RS1/C3GJN	2	rd	1.969	50.00	3.150	80.00	0.630	16.00	0.630	16.00
106049A	6010-2RS1/C3GJN	2	rd	1.969	50.00	3.150	80.00	0.630	16.00	0.630	16.00
353253X1	6010-2RS1/C3GJN	2	rd	1.969	50.00	3.150	80.00	0.630	16.00	0.630	16.00
WZ579	6010-2RS1/C3GJN	2	rd	1.969	50.00	3.150	80.00	0.630	16.00	0.630	16.00
1108986	6010C3	2	rd	1.969	50.00	3.150	80.00	0.630	16.00	0.630	16.00
3003277X1	6010C3	2	rd	1.969	50.00	3.150	80.00	0.591	15.00	0.591	15.00
195494V1	6010-Z	2	rd	1.969	50.00	3.150	80.00	0.630	16.00	0.630	16.00
195494M1	6010-Z	2	rd	1.969	50.00	3.150	80.00	0.630	16.00	0.630	16.00
834218V1	6011	2	rd	2.165	55.00	3.543	90.00	0.709	18.00	0.709	18.00
834218M1	6011	2	rd	2.165	55.00	3.543	90.00	0.709	18.00	0.709	18.00
391261X1	6011	2	rd	2.165	55.00	3.543	90.00	0.709	18.00	0.709	18.00
70526542	6011 2RS	2	rd	2.165	55.00	3.543	90.00	0.709	18.00	0.709	18.00
71344589	6011 NR	2	rd	2.165	55.00	3.543	90.00	0.709	18.00	0.709	18.00
833733M1	60122RS	2	rd	2.362	60.00	3.740	95.00	0.709	18.00	0.709	18.00
339673X1	6013	2	rd	2.559	65.00	3.937	100.00	0.709	18.00	0.709	18.00
71160100	6013.2RSR.C3.J22R	2	rd	2.559	65.00	3.936	100.00	0.709	18.00	0.709	18.00
1108994	6014 C3	2	rd	2.756	70.00	4.331	110.00	0.787	20.00	0.787	20.00
70937250V	6014.2RSR.C3.J22R	2	rd	2.756	70.00	4.331	110.00	0.787	20.00	0.787	20.00





# Ball Bearings

Listed in Ascending Order by Manufacturer Part No.

Spherical and Cylindrical Ball Bearings (cont.)											
AGCO Part No.	Manufacturer Part No.	T y p e	B o r e	A		B		C		D	
				Interior Diameter (in)	(mm)	Outside Diameter (in)	(mm)	Inner Race Width (in)	(mm)	Outer Race Width (in)	(mm)
70937250	6014.2RSR.C3.J22R	2	rd	2.756	70.00	4.331	110.00	0.787	20.00	0.787	20.00
1108994	6014-C3	2	rd	2.756	70.00	4.331	110.00	0.787	20.00	0.787	20.00
71195913	6015 2RS1	2	rd	2.953	75.00	4.528	115.00	0.787	20.00	0.787	20.00
12402	6017	2	rd	3.347	85.00	5.118	130.00	0.866	22.00	0.866	22.00
W9112600	6017-2RS1/C3	2	rd	3.347	85.00	5.117	130.00	0.866	22.00	0.866	22.00
1109002	6018	2	rd	3.543	90.00	5.512	140.00	0.945	24.00	0.945	24.00
842047M1	6018Z	2	rd	3.543	90.00	5.512	140.00	0.945	24.00	0.945	24.00
700717727	6020-2RS1	2	rd	3.937	100.00	5.906	150.00	0.984	25.00	0.984	25.00
211964	6022	2	rd	4.331	110.00	6.693	170.00	1.102	28.00	1.102	28.00
74507158	60622VBF00	2	rd	0.438	11.13	0.906	23.00	0.315	8.00	0.315	8.00
700706189	608LLU/5C	2	rd	0.315	8.00	0.866	22.00	0.276	7.00	0.276	7.00
831777M1	609V	2	rd	1.000	25.40	2.010	51.00	0.645	16.38	0.645	16.38
W9111190	619082RS1/C3	2	rd	1.575	40.00	2.441	62.00	0.521	13.22	0.521	13.22
72098661	62/32	2	rd	1.260	32.00	2.559	65.00	0.669	17.00	0.669	17.00
642239M1	6201LLBC3/2A	2	rd	0.472	12.00	1.260	32.00	0.394	10.00	0.394	10.00
642239V1	6201LLBC3/2A	2	rd	0.472	12.00	1.260	32.00	0.394	10.00	0.394	10.00
1442075X1	6201-RS1	2	rd	0.472	12.00	1.260	32.00	0.394	10.00	0.394	10.00
832688M1	6201-RS1	2	rd	0.472	12.00	1.260	32.00	0.394	10.00	0.394	10.00
1440484X1	6202	2	rd	0.591	15.00	1.378	35.00	0.433	11.00	0.433	11.00
844096M1	6202 2RS	2	rd	0.500	12.70	1.378	35.00	0.433	11.00	0.433	11.00
833889M1	6202 RS	2	rd	0.591	15.00	1.378	35.00	0.433	11.00	0.433	11.00
21271A	6202 ZZ C3 Z14	2	rd	0.591	15.00	1.378	35.00	0.433	11.00	0.433	11.00
103300A	6202-ZZ/C3GJN	2	rd	0.591	15.00	1.378	35.00	0.433	11.00	0.433	11.00
833819M1	6202LLU/16	2	rd	0.630	16.00	1.378	35.00	0.433	11.00	0.433	11.00
175047M1	6202LLU/2A	2	rd	0.591	15.00	1.378	35.00	0.433	11.00	0.433	11.00
70525592	6203	2	rd	0.669	17.00	1.578	40.00	0.472	12.00	0.472	12.00
828123M2	6203 2RS1C3	2	rd	0.669	17.00	1.575	40.00	0.472	12.00	0.472	12.00
828123V2	6203 2RS1C3	2	rd	0.669	17.00	1.575	40.00	0.472	12.00	0.472	12.00
842045M1	6203/16	2	rd	0.630	16.00	1.575	40.00	0.472	12.00	0.472	12.00
832960M3	62032ZR.C3.J22R	2	rd	0.669	17.00	1.575	40.00	0.472	12.00	0.472	12.00
832960V3	62032ZR.C3.J22R	2	rd	0.669	17.00	1.575	40.00	0.472	12.00	0.472	12.00
833735M1	6203LLU/16/2A	2	rd	0.630	16.00	1.575	40.00	0.472	12.00	0.472	12.00
10473	6203LLUC4/5C	2	rd	0.669	17.00	1.575	40.00	0.472	12.00	0.472	12.00
828123N1	6203-ZZ	2	rd	0.669	17.00	1.575	40.00	0.472	12.00	0.472	12.00
527263	6204	2	rd	0.787	20.00	1.850	47.00	0.551	14.00	0.551	14.00
17519	62042RS	2	rd	0.787	20.00	1.850	47.00	0.551	14.00	0.551	14.00
1136653	62042RS	2	rd	0.787	20.00	1.850	47.00	0.551	14.00	0.551	14.00
1136653V	62042RS	2	rd	0.787	20.00	1.850	47.00	0.551	14.00	0.551	14.00
842947M1	6204-2RS-5/8	2	rd	0.625	15.88	1.850	47.00	0.551	14.00	0.551	14.00
200163M1	6204NR	2	rd	0.787	20.00	1.850	47.00	0.551	14.00	0.551	14.00



# Ball Bearings

Listed in Ascending Order by Manufacturer Part No.

Spherical and Cylindrical Ball Bearings (cont.)											
AGCO Part No.	Manufacturer Part No.	Type	A Interior Diameter		B Outside Diameter		C Inner Race Width		D Outer Race Width		
			(in)	(mm)	(in)	(mm)	(in)	(mm)	(in)	(mm)	
832686M1	6204-RS	2 rd	0.787	20.00	1.850	47.00	0.551	14.00	0.551	14.00	
832686V1	6204-RS	2 rd	0.787	20.00	1.850	47.00	0.551	14.00	0.551	14.00	
74044212	6204-RSH/C3	2 rd	0.787	20.00	1.850	47.00	0.551	14.00	0.551	14.00	
70573970	6204Z	2 rd	0.787	20.00	1.850	47.00	0.551	14.00	0.551	14.00	
K3352	6205 2RS C3 Z14	2 rd	0.984	25.00	2.047	52.00	0.591	15.00	0.591	15.00	
K3352V	6205 2RS C3 Z14	2 rd	0.984	25.00	2.047	52.00	0.591	15.00	0.591	15.00	
832778M1	6205 2RS C-4	2 rd	0.984	25.00	2.047	52.00	0.591	15.00	0.591	15.00	
1109045	6205-C3	2 rd	0.984	25.00	2.047	52.00	0.591	15.00	0.591	15.00	
72100764	6205LLNR	2 rd	0.984	25.00	2.047	52.00	0.591	15.00	0.591	15.00	
11489	6205NR	2 rd	0.984	25.00	2.047	52.00	0.591	15.00	0.591	15.00	
353067X1	6205-RLD	2 rd	0.984	25.00	2.047	52.00	0.591	15.00	0.591	15.00	
1109048	6205-Z/C3	2 rd	0.984	25.00	2.047	52.00	0.591	15.00	0.591	15.00	
3703004M1	6206	2 rd	1.181	30.00	2.441	62.00	0.630	16.00	0.630	16.00	
12773	6206 2RS C3 Z14	2 rd	1.181	30.00	2.441	62.00	0.630	16.00	0.630	16.00	
1109055	6206 2RS C3 Z14	2 rd	1.181	30.00	2.441	62.00	0.630	16.00	0.630	16.00	
1109055V	6206 2RS C3 Z14	2 rd	1.181	30.00	2.441	62.00	0.630	16.00	0.630	16.00	
N12773	6206 2RS C3 Z14	2 rd	1.181	30.00	2.441	62.00	0.630	16.00	0.630	16.00	
71131263	6206 NRC3	2 rd	1.181	30.00	2.441	62.00	0.630	16.00	0.630	16.00	
AG512540	6206.2RSR.J22R	2 rd	1.181	30.00	2.441	62.00	0.630	16.00	0.630	16.00	
831087M1	6206-2RS	4 rd	1.181	30.00	2.441	62.00	0.630	16.00	0.630	16.00	
1174298	6206C3	2 rd	1.181	30.00	2.441	62.00	0.630	16.00	0.630	16.00	
1440494X1	6206C3	2 rd	1.181	30.00	2.441	62.00	0.630	16.00	0.630	16.00	
834750M1	6206-RS	4 rd	1.181	30.00	2.441	62.00	0.630	16.00	0.630	16.00	
1109052	6206-RS1/C3	2 rd	1.181	30.00	2.441	62.00	0.630	16.00	0.630	16.00	
700712383	6207	2 rd	1.378	35.00	2.835	72.00	0.472	12.00	0.472	12.00	
1140823V	6207.2RSR.C3.J22R	2 rd	1.378	35.00	2.835	72.00	0.669	17.00	0.669	17.00	
1140823	6207.2RSR.C3.J22R	2 rd	1.378	35.00	2.835	72.00	0.669	17.00	0.669	17.00	
1047237M1	6207.2RSR.C3.J22R	2 rd	1.378	35.00	2.835	72.00	0.669	17.00	0.669	17.00	
17389	6207.C3.J22R	2 rd	1.378	35.00	2.835	72.00	0.669	17.00	0.669	17.00	
1109058V	6207.C3.J22R	2 rd	1.378	35.00	2.835	72.00	0.472	12.00	0.472	12.00	
1109058	6207.C3.J22R	2 rd	1.378	35.00	2.835	72.00	0.669	17.00	0.669	17.00	
114093M1	6207-2RS1	2 rd	1.378	35.00	2.835	72.00	0.669	17.00	0.669	17.00	
104089W1	6207-2Z/C3	2 rd	1.378	35.00	2.835	72.00	0.669	17.00	0.669	17.00	
1140823	6207LU	2 rd	1.378	35.00	2.835	72.00	0.669	17.00	0.669	17.00	
72097938	6207NR	2 rd	1.378	35.00	2.835	72.00	0.669	17.00	0.669	17.00	
1447415M1	6207RS	2 rd	1.378	35.00	2.835	72.00	0.669	17.00	0.669	17.00	
352976X1	6208 2RS1/C3	2 rd	1.575	40.00	3.150	80.00	0.709	18.00	0.709	18.00	
833059M1	6208 2RS1/C3	2 rd	1.575	40.00	3.150	80.00	0.709	18.00	0.709	18.00	
833059V1	6208 2RS1/C3	2 rd	1.575	40.00	3.150	80.00	0.709	18.00	0.709	18.00	
70528519	6208 C3	2 rd	1.575	40.00	3.150	80.00	0.709	18.00	0.709	18.00	



# Ball Bearings

Listed in Ascending Order by Manufacturer Part No.

Spherical and Cylindrical Ball Bearings (cont.)											
AGCO Part No.	Manufacturer Part No.	Type	Bore	A		B		C		D	
				Interior Diameter (in)	(mm)	Outside Diameter (in)	(mm)	Inner Race Width (in)	(mm)	Outer Race Width (in)	(mm)
70528519V	6208 C3	2	rd	1.575	40.00	3.150	80.00	0.709	18.00	0.709	18.00
700726228	6208-2RS1TN9/C3VE167	2	rd	1.575	40.00	3.150	80.00	0.709	18.00	0.709	18.00
354353X1	6208NR	2	rd	1.575	40.00	3.150	80.00	0.709	18.00	0.709	18.00
71118304	6208-RS	2	rd	1.575	40.00	3.150	80.00	0.709	18.00	0.709	18.00
KS5031	6208ZNR	2	rd	1.575	40.00	3.150	80.00	0.709	18.00	0.709	18.00
71120308	6209 NR C3	2	rd	1.772	45.00	3.330	85.00	0.740	19.00	0.740	19.00
1109070	6209.C3.J22R	2	rd	1.772	45.00	3.347	85.00	0.748	19.00	0.748	19.00
1138480	6209-2RS1C3	2	rd	1.772	45.00	3.347	85.00	0.748	19.00	0.748	19.00
707636	6209NR	2	rd	1.772	45.00	3.347	85.00	0.748	19.00	0.748	19.00
732103	6209-RS1/C3	2	rd	1.772	45.00	3.347	85.00	0.748	19.00	0.748	19.00
71145314	6209-RS1/C3	2	rd	1.772	45.00	3.347	85.00	0.748	19.00	0.748	19.00
18546X	6209-RS1/C3	2	rd	1.772	45.00	3.347	85.00	0.748	19.00	0.748	19.00
391162X1	6210	2	rd	1.969	50.00	3.543	90.00	0.787	20.00	0.787	20.00
354919X1	6210 2RSGA2	2	rd	1.969	50.00	3.543	90.00	0.787	20.00	0.787	20.00
1675274M1	6210 ZNBR	2	rd	1.969	50.00	3.543	90.00	0.787	20.00	0.787	20.00
1675274V1	6210 ZNBR	2	rd	1.969	50.00	3.543	90.00	0.787	20.00	0.787	20.00
195493M1	6210 ZNBR	2	rd	1.969	50.00	3.543	90.00	0.787	20.00	0.787	20.00
70223712	6210 ZNR	2	rd	1.969	50.00	3.543	90.00	0.787	20.00	0.787	20.00
71116581	6210.2RSRC3.J22R	2	rd	1.969	50.00	3.543	90.00	0.787	20.00	0.787	20.00
71335182	62102RS1VE391	2	rd	1.969	50.00	3.543	90.00	0.787	20.00	0.787	20.00
17522	6210-2RS-C3	2	rd	1.969	50.00	3.543	90.00	0.787	20.00	0.787	20.00
1109073	6210C3.J22R	2	rd	1.969	50.00	3.543	90.00	0.787	20.00	0.787	20.00
12395	6210C3.J22R	2	rd	1.969	50.00	3.543	90.00	0.787	20.00	0.787	20.00
71169762	6210LUNRSC3/3A	2	rd	1.969	50.00	3.150	80.00	0.630	16.00	0.630	16.00
70224837	6210NRC3	2	rd	1.969	50.00	3.543	90.00	0.787	20.00	0.787	20.00
3003258X1	6210RS	2	rd	1.969	50.00	3.543	90.00	0.787	20.00	0.787	20.00
842434M1	6210-RS	4	rd	1.969	50.00	3.543	90.00	0.787	20.00	0.787	20.00
71117404	6210-RS1/C3	2	rd	1.969	50.00	3.543	90.00	0.787	20.00	0.787	20.00
71117404V	6210-RS1/C3	2	rd	1.969	50.00	3.543	90.00	0.787	20.00	0.787	20.00
3734238M1	6210ZZC3	2	rd	1.969	50.00	3.543	90.00	0.787	20.00	0.787	20.00
195493V1	6210ZZNR	2	rd	1.969	50.00	3.543	90.00	0.787	20.00	0.787	20.00
72513918	6211	2	rd	2.165	55.00	3.937	100.00	0.827	21.00	0.827	21.00
834851M1	6211 NR/C3	2	rd	2.165	55.00	3.937	100.00	0.827	21.00	0.827	21.00
1692601M1	6211.C3.J22R	2	rd	2.165	55.00	3.937	100.00	0.827	21.00	0.827	21.00
71179458	6211-2RS1C3	2	rd	2.165	55.00	3.937	100.00	0.827	21.00	0.827	21.00
831187M1	6211-2RS1C3	2	rd	2.165	55.00	3.937	100.00	0.827	21.00	0.827	21.00
832544M2	62112RSNR	2	rd	2.165	55.00	3.937	100.00	0.827	21.00	0.827	21.00
195507M1	6211-Z	2	rd	2.165	55.00	3.937	100.00	0.827	21.00	0.827	21.00
195507V1	6211-Z	2	rd	2.165	55.00	3.937	100.00	0.827	21.00	0.827	21.00
831186M1	6211-Z	2	rd	2.165	55.00	3.937	100.00	0.827	21.00	0.827	21.00



# Ball Bearings

Listed in Ascending Order by Manufacturer Part No.

Spherical and Cylindrical Ball Bearings (cont.)											
AGCO Part No.	Manufacturer Part No.	T y p e	B o r e	A		B		C		D	
				Interior Diameter (in)	(mm)	Outside Diameter (in)	(mm)	Inner Race Width (in)	(mm)	Outer Race Width (in)	(mm)
71363435	6212 2RS1	2	rd	2.362	60.00	4.381	110.00	0.866	22.00	0.866	22.00
353034X1	6212 2RS1	2	rd	2.362	60.00	4.381	110.00	0.866	22.00	0.866	22.00
832811M1	6212 2RS1	2	rd	2.362	60.00	4.381	110.00	0.866	22.00	0.866	22.00
3734221M1	6212C3	2	rd	2.362	60.00	4.331	110.00	0.866	22.00	0.866	22.00
165971A	6212-NR	2	rd	2.362	60.00	4.331	110.00	0.866	22.00	0.866	22.00
12365	6212-RS1	2	rd	2.362	60.00	4.331	110.00	0.866	22.00	0.866	22.00
1051469M1	6212ZC3	2	rd	2.362	60.00	4.331	110.00	0.866	22.00	0.866	22.00
71370205	6213-2RS1	2	rd	2.559	65.00	4.724	120.00	0.906	23.00	0.906	23.00
833373M1	6213-2RS1	2	rd	2.559	65.00	4.724	120.00	0.906	23.00	0.906	23.00
1109090	6214	2	rd	2.756	70.00	4.921	125.00	0.945	24.00	0.945	24.00
1130642	6214N	2	rd	2.756	70.00	4.921	125.00	0.945	24.00	0.945	24.00
1109091	6215 C3	2	rd	2.953	75.00	5.118	130.00	0.984	25.00	0.984	25.00
W9112830	62152RSGA2	2	rd	2.953	75.00	5.118	130.00	0.984	25.00	0.984	25.00
833195M1	6215-2Z	2	rd	2.953	75.00	5.118	130.00	0.984	25.00	0.984	25.00
1109092	6215N	2	rd	2.953	75.00	5.118	130.00	0.984	25.00	0.984	25.00
842046M1	6215-Z	2	rd	2.953	75.00	5.118	130.00	0.984	25.00	0.984	25.00
1109093	6216	2	rd	3.150	80.00	5.512	140.00	1.024	26.00	1.024	26.00
1109094	6217	2	rd	3.347	85.00	5.906	150.00	1.102	28.00	1.102	28.00
832316M1	6217 Z3C/2A	2	rd	3.347	85.00	5.906	150.00	1.102	28.00	1.102	28.00
W9112640	6217LLU/2A	2	rd	3.347	85.00	5.906	150.00	1.102	28.00	1.102	28.00
1109096	6219	2	rd	3.740	95.00	6.693	170.00	1.260	32.00	1.260	32.00
72090062	62208 2RS1C3	2	rd	1.575	40.00	3.150	80.00	0.906	23.00	0.906	23.00
B1647	6302	2	rd	0.591	15.00	1.654	42.00	0.512	13.00	0.512	13.00
1104671	6302 RS	2	rd	0.591	15.00	1.654	42.00	0.512	13.00	0.512	13.00
3435718M1	6302-2RS1	2	rd	0.591	15.00	1.654	42.00	0.512	13.00	0.512	13.00
74253868	6303-C3 Z14	2	rd	0.669	17.00	1.850	47.00	0.551	14.00	0.551	14.00
71135350V	6303LLUC3/5C	2	rd	0.669	17.00	1.850	47.00	0.551	14.00	0.551	14.00
71135350	6303LLUC3/5C	2	rd	0.669	17.00	1.850	47.00	0.551	14.00	0.551	14.00
1440506X1	6304	2	rd	0.787	20.00	2.047	52.00	0.591	15.00	0.591	15.00
72104040	6304	2	rd	0.787	20.00	2.047	52.00	0.591	15.00	0.591	15.00
1136432	6304.2RSR.C3.J22R	2	rd	0.787	20.00	2.047	52.00	0.591	15.00	0.591	15.00
74044210	6304LU	2	rd	0.787	20.00	2.047	52.00	0.591	15.00	0.591	15.00
WT9480	6305	2	rd	0.984	25.00	2.441	62.00	0.669	17.00	0.669	17.00
834210M1	6305 RSC4	2	rd	0.984	25.00	2.441	62.00	0.669	17.00	0.669	17.00
70067916	6305/C3	2	rd	0.984	25.00	2.441	62.00	0.669	17.00	0.669	17.00
833757M1	6305-2RS	4	rd	0.984	25.00	2.441	62.00	0.669	17.00	0.669	17.00
1139002	63052RSC3GA2	2	rd	0.984	25.00	2.441	62.00	0.669	17.00	0.669	17.00
1069263M1	6305LLUC3/5C	2	rd	0.984	25.00	2.441	62.00	0.665	17.00	0.665	17.00
W9111900	6305NR	2	rd	0.984	25.00	2.441	62.00	0.669	17.00	0.669	17.00
1139002	6305RS	2	rd	0.984	25.00	2.441	62.00	0.472	12.00	0.472	12.00



# Ball Bearings

Listed in Ascending Order by Manufacturer Part No.

Spherical and Cylindrical Ball Bearings (cont.)											
AGCO Part No.	Manufacturer Part No.	T y p e	B o r e	A		B		C		D	
				Interior Diameter (in)	(mm)	Outside Diameter (in)	(mm)	Inner Race Width (in)	(mm)	Outer Race Width (in)	(mm)
832305M1	6305-RS1	2	rd	0.984	25.00	2.441	62.00	0.669	17.00	0.669	17.00
1123665	6305ZR.C3	2	rd	0.984	25.00	2.441	62.00	0.669	17.00	0.669	17.00
70097088	6306 NRJ	2	rd	1.181	30.00	2.834	72.00	0.743	19.00	0.743	19.00
AG510343	6306-2RLD	2	rd	1.181	30.00	2.835	72.00	0.748	19.00	0.748	19.00
834533M1	6306-2RS	4	rd	1.181	30.00	2.835	72.00	0.748	19.00	0.748	19.00
1139003	6306-2RS1/C3	2	rd	1.181	30.00	2.835	72.00	0.748	19.00	0.748	19.00
1139003V	6306-2RS1/C3	2	rd	1.181	30.00	2.835	72.00	0.748	19.00	0.748	19.00
1122281	6306C3	2	rd	1.181	30.00	2.835	72.00	0.748	19.00	0.748	19.00
354920V1	6307 2RS	2	rd	1.378	35.00	3.150	80.00	0.827	21.00	0.827	21.00
354920X1	6307 2RS	2	rd	1.378	35.00	3.150	80.00	0.827	21.00	0.827	21.00
2389930	6307C3	2	rd	1.378	35.00	3.150	80.00	0.827	21.00	0.827	21.00
72092851	6307NR	2	rd	1.378	35.00	3.150	80.00	0.827	21.00	0.827	21.00
72100175	6308	2	rd	1.575	40.00	3.543	90.00	0.906	23.00	0.906	23.00
15895	6308 2RS/C3	2	rd	1.575	40.00	3.543	90.00	0.906	23.00	0.906	23.00
832982M1	6308 2RS/C3	2	rd	1.575	40.00	3.543	90.00	0.906	23.00	0.906	23.00
700718362	6308 2RS1NTN9/C4	2	rd	1.575	40.00	3.543	90.00	0.906	23.00	0.906	23.00
31-1588410	6308-2RS	4	rd	1.575	40.00	3.543	90.00	0.906	23.00	0.906	23.00
834988M1	6308-RS1	2	rd	1.575	40.00	3.543	90.00	0.906	23.00	0.906	23.00
832450M1	6309 RS	2	rd	1.772	45.00	3.937	100.00	0.984	25.00	0.984	25.00
834869M1	6309-2RS1C3	2	rd	1.772	45.00	3.937	100.00	0.984	25.00	0.984	25.00
700721594	6309-2RS1C3	2	rd	1.772	45.00	3.937	100.00	0.984	25.00	0.984	25.00
700721594V	6309-2RS1C3	2	rd	1.772	45.00	3.937	100.00	0.984	25.00	0.984	25.00
3734275M1	6309C3	2	rd	1.772	45.00	3.937	100.00	0.984	25.00	0.984	25.00
1109136	6309N/C3	2	rd	1.772	45.00	3.930	100.00	0.980	25.00	0.980	25.00
71154852	6310	2	rd	1.969	50.00	4.331	110.00	1.063	27.00	1.063	27.00
71195912	6310-2RS	2	rd	1.969	50.00	4.331	110.00	1.063	27.00	1.063	27.00
834880M1	6310ZZNR	2	rd	1.969	50.00	4.331	110.00	1.063	27.00	1.063	27.00
842529M1	6311-2NSL	4	rd	2.165	55.00	4.724	120.00	1.137	28.87	1.137	28.87
71340495	6311-2RS1/C3	2	rd	2.165	55.00	4.724	120.00	1.142	29.00	1.142	29.00
71398331	6311-2RS1/C3GJN	2	rd	2.165	55.00	4.724	120.00	1.142	29.00	1.142	29.00
103633W1	6311ZC3	2	rd	2.165	55.00	4.724	120.00	1.142	29.00	1.142	29.00
1109147	6312NR	2	rd	2.362	60.00	5.118	130.00	1.221	31.00	1.221	31.00
844490M1	6313-2RS	4	rd	2.559	65.00	5.512	140.00	1.299	33.00	1.299	33.00
72090065	6313C3	2	rd	2.559	65.00	5.512	140.00	1.290	32.77	1.290	32.77
3734357M1	6405	2	rd	0.984	25.00	3.150	80.00	0.827	21.00	0.827	21.00
3724538M1	6409	2	rd	1.772	45.00	4.724	120.00	1.142	29.00	1.142	29.00
1171767	6811	2	rd	2.165	55.00	2.835	72.00	0.354	9.00	0.354	9.00
7040652	6904	2	rd	0.787	20.00	1.457	37.00	0.354	9.00	0.354	9.00
72099498	6911 LLBC3/2E	2	rd	2.165	55.00	3.150	80.00	0.512	13.00	0.512	13.00
832251M1	70 BC 10	2	rd	2.755	70.00	4.330	110.00	0.787	20.00	0.787	20.00



# Ball Bearings

Listed in Ascending Order by Manufacturer Part No.

Spherical and Cylindrical Ball Bearings (cont.)											
AGCO Part No.	Manufacturer Part No.	T y p e	B o r e	A		B		C		D	
				Interior Diameter (in)	(mm)	Outside Diameter (in)	(mm)	Inner Race Width (in)	(mm)	Outer Race Width (in)	(mm)
13851X	7109	2	rd	0.591	15.00	1.378	35.00	0.354	9.00	0.354	9.00
833877M1	7488	2	rd	0.750	19.05	1.781	45.22	0.610	15.49	0.610	15.49
832651M1	81119600	1	rd	0.640	16.26	1.575	40.00	0.720	18.29	0.472	12.00
Y710392	8212TN	1	rd	1.065	27.05	1.854	47.00	1.000	25.40	0.500	12.70
7714660	8386TN	1	rd	0.250	6.35	1.125	28.58	0.344	8.74	0.280	7.11
71324230	88107 2RR4C3 GA2	1	rd	1.378	35.00	2.835	72.00	0.984	25.00	0.669	17.00
842990M1	88107BVVN2	2	rd	1.378	35.00	2.835	72.00	0.664	16.87	0.664	16.87
W158363A	88128 GGN	1	rd	1.531	38.89	3.150	80.00	1.083	27.51	0.827	21.00
832628M1	88506A	1	rd	1.181	30.00	2.440	62.00	0.945	24.00	0.736	18.69
AG000057	88506A	1	rd	1.181	30.00	2.441	62.00	0.945	24.00	0.630	16.00
833612M1	9103KD	2	rd	0.669	17.00	1.378	35.00	0.389	9.87	0.389	9.87
71126056	BBY-5549	1	rd	0.625	15.88	1.850	47.00	0.720	18.29	0.472	12.00
3910739	BD35-12DU8A	2	rd	1.378	35.00	2.520	64.00	1.457	37.00	1.457	37.00
17703	BL205	2	rd	0.984	25.00	2.047	52.00	0.588	15.00	0.588	14.95
KS5003	BL208NR	2	rd	1.575	40.00	3.150	80.00	0.709	18.00	0.709	18.00
70231175	BL211ZNRC3	2	rd	2.165	55.00	3.937	100.00	0.827	21.00	0.827	21.00
834169M1	BL305LU/2A	2	rd	0.984	25.00	2.441	62.00	0.669	17.00	0.669	17.00
834470M1	BL308ZZNP/2A	2	rd	1.575	40.00	3.543	90.00	0.906	23.00	0.906	23.00
11407	BS221261L1	3	rd	1.000	25.40	2.047	52.00	1.236	31.39	0.591	15.00
11407V	BS221261L1	3	rd	1.000	25.40	2.047	52.00	1.236	31.39	0.591	15.00
70575154	BS223193	3	hx	0.866	22.00	2.047	52.00	0.984	25.00	0.591	15.00
293011M1	CS 205D1LLRV1	4	rd	0.984	25.00	2.047	52.00	0.591	15.00	0.591	15.00
831091M1	CS202LLU/2A	4	rd	0.591	15.00	1.378	35.00	0.433	11.00	0.433	11.00
832009M1	CS203LLU	4	rd	0.669	17.00	1.575	40.00	0.472	12.00	0.472	12.00
353152X1	CS204LLU	4	rd	1.575	40.00	3.150	80.00	0.709	18.00	0.709	18.00
831112M1	CS205LLU	4	rd	0.984	25.00	2.047	52.00	0.591	15.00	0.591	15.00
831822M1	CS207LLU	4	rd	1.378	35.00	2.835	72.00	0.669	17.00	0.669	17.00
831822V1	CS207LLU	4	rd	1.378	35.00	2.835	72.00	0.669	17.00	0.669	17.00
832087M1	CS208LLU	4	rd	1.575	40.00	3.150	80.00	0.709	18.00	0.709	18.00
831134M1	CS209LLU	4	rd	1.772	45.00	3.346	85.00	0.748	19.00	0.748	19.00
833741M1	CS210LLU	4	rd	1.969	50.00	3.543	90.00	0.787	20.00	0.787	20.00
834676M1	CS212D1V2	4	rd	2.362	60.00	4.331	110.00	0.866	22.00	0.866	22.00
834871M1	CS213D1V2	4	rd	2.559	65.00	4.724	120.00	0.905	23.00	0.905	23.00
831861M1	CS307LLU	4	rd	1.378	35.00	3.150	80.00	0.827	21.00	0.827	21.00
842079M1	CS309LLU-2A	4	rd	1.772	45.00	3.937	100.00	0.984	25.00	0.984	25.00
50377	CS3574X6	2	sp	0.756	19.20	1.850	47.00	0.551	14.00	0.551	14.00
71141240	D3300-13DSI	1	rd	0.376	9.55	2.250	57.15	1.000	25.40	0.875	22.23
854003	DAC1640442RSL	1	rd	0.669	17.00	1.575	40.00	1.737	44.12	1.540	39.12
EP5403	DC211TTR4	1	sq	1.500	38.10	3.937	100.00	1.750	44.45	1.313	33.34
700709106	DF0654LLUC4/5C	2	rd	1.181	30.00	2.165	55.00	0.906	23.00	0.906	23.00



# Ball Bearings

Listed in Ascending Order by Manufacturer Part No.

Spherical and Cylindrical Ball Bearings (cont.)											
AGCO Part No.	Manufacturer Part No.	T y p e	B o r e	A		B		C		D	
				Interior Diameter (in)	Interior Diameter (mm)	Outside Diameter (in)	Outside Diameter (mm)	Inner Race Width (in)	Inner Race Width (mm)	Outer Race Width (in)	Outer Race Width (mm)
71158140	EE3S Z	2	rd	0.375	9.53	0.875	22.23	0.281	7.14	0.281	7.14
833383M1	EE6	2	rd	0.750	19.05	1.625	41.28	0.312	8.00	0.312	8.00
7714603	G206KRRB6	4	hx	1.000	25.40	2.441	62.00	0.945	24.00	0.945	24.00
70586143	GW208PPB29	3	hx	1.299	33.00	3.150	80.00	1.457	37.00	1.181	30.00
70589573	GW209PPB5	3	sq	1.250	31.80	3.346	85.00	1.438	36.53	1.188	30.18
W247167B	H204RR11	1	rd	0.631	16.03	1.850	47.00	0.689	17.50	0.551	14.00
7711849	KP12A FS428	2	rd	0.750	19.05	1.625	41.28	0.437	11.10	0.437	11.10
71307332	KP12A-A2365	1	rd	0.750	19.05	1.625	41.28	0.437	11.10	0.375	9.53
K4727	KS10 FS160	1	rd	0.625	15.88	1.938	49.21	0.813	20.65	0.625	15.88
8050601	KSP10FS160	1	rd	0.625	15.88	1.938	49.21	0.813	20.65	0.625	15.87
70058968	M6209	2	rd	1.772	45.00	3.347	85.00	0.748	19.00	0.748	19.00
831962M1	M6210C3	2	rd	1.969	50.00	3.543	90.00	0.787	20.00	0.787	20.00
842516M1	M6210C3	2	rd	1.969	50.00	3.543	90.00	0.787	20.00	0.787	20.00
832334M1	M6306	2	rd	1.181	30.00	2.835	72.00	0.748	19.00	0.748	19.00
31-1653360	MRC211M	2	rd	2.165	55.00	3.920	100.00	0.820	21.00	0.820	21.00
899377M2	MS.11.C4	2	rd	1.125	28.58	2.812	71.41	0.813	20.64	0.813	20.64
700707402	P200PP Z10	2	rd	0.394	10.00	1.181	30.00	0.354	9.00	0.354	9.00
70536986	P204RR6 C1	2	rd	0.750	19.05	1.781	45.22	0.611	15.51	0.611	15.51
H467146R91	P205P Z3	2	rd	0.984	25.00	2.047	52.00	0.591	15.00	0.591	15.00
70804501	P304K Z5	2	rd	0.787	20.00	2.050	52.00	0.590	15.00	0.590	15.00
833905M1	R 14	2	rd	0.875	22.23	1.875	47.63	0.375	9.53	0.375	9.53
3760514M1	RMS92RKMC4	2	rd	1.125	28.58	2.813	71.44	0.813	20.64	0.813	20.64
72161859	RYLE 212	4	rd	2.362	60.00	4.331	110.00	0.866	22.00	0.866	22.00
20-0007597	S13R	2	rd	1.500	38.10	2.625	66.68	0.437	11.11	0.437	11.11
844237M1	S204ZZ	2	rd	0.787	20.00	1.850	47.00	0.813	20.64	0.813	20.64
70536147	SBX06A59LLXQ1	3	rd	1.125	28.58	2.441	62.00	0.945	24.00	0.630	16.00
713834	SBX07A42LLMC3Q1	4	hx	1.250	31.75	2.835	72.00	1.484	40.00	1.484	40.00
70406677	SBX1184LLSQ1	1	sq	1.500	38.10	3.937	100.00	1.750	44.45	1.438	36.52
1070411M1	SC0228LLU	2	rd	0.620	15.75	1.370	34.80	0.440	11.18	0.440	11.18
70340145	SC0228LLUC3	2	rd	0.625	15.88	1.375	34.93	0.433	11.00	0.433	11.00
6610653	SC0228LLUC3	2	rd	0.625	15.88	1.380	35.00	0.440	11.18	0.440	11.18
AG000355	SC0228LLUC3	2	rd	0.630	16.00	1.378	35.00	0.433	11.00	0.433	11.00
70536986	SCO440LL C3	2	rd	0.750	19.05	1.772	45.00	0.591	15.00	0.591	15.00
15337	SKF 311	2	rd	2.165	55.00	4.724	120.00	1.142	29.00	1.142	29.00
N15337	SKF 311	2	rd	2.165	55.00	4.724	120.00	1.142	29.00	1.142	29.00
700722661	SR342-436RS	1	rd	0.250	6.35	1.250	31.75	0.500	12.70	0.310	7.87
10493	SX0361LLCS41PX1	1	rd	0.640	16.26	1.575	40.00	0.720	18.29	0.472	12.00
526036	TMB005LLUC3/5C	2	rd	0.984	25.00	1.850	47.00	0.472	12.00	0.472	12.00
528393	TMB005LLUC3/5C	2	rd	0.984	25.00	1.850	47.00	0.472	12.00	0.472	12.00
528393V	TMB005LLUC3/5C	2	rd	0.984	25.00	1.850	47.00	0.472	12.00	0.472	12.00



# Ball Bearings

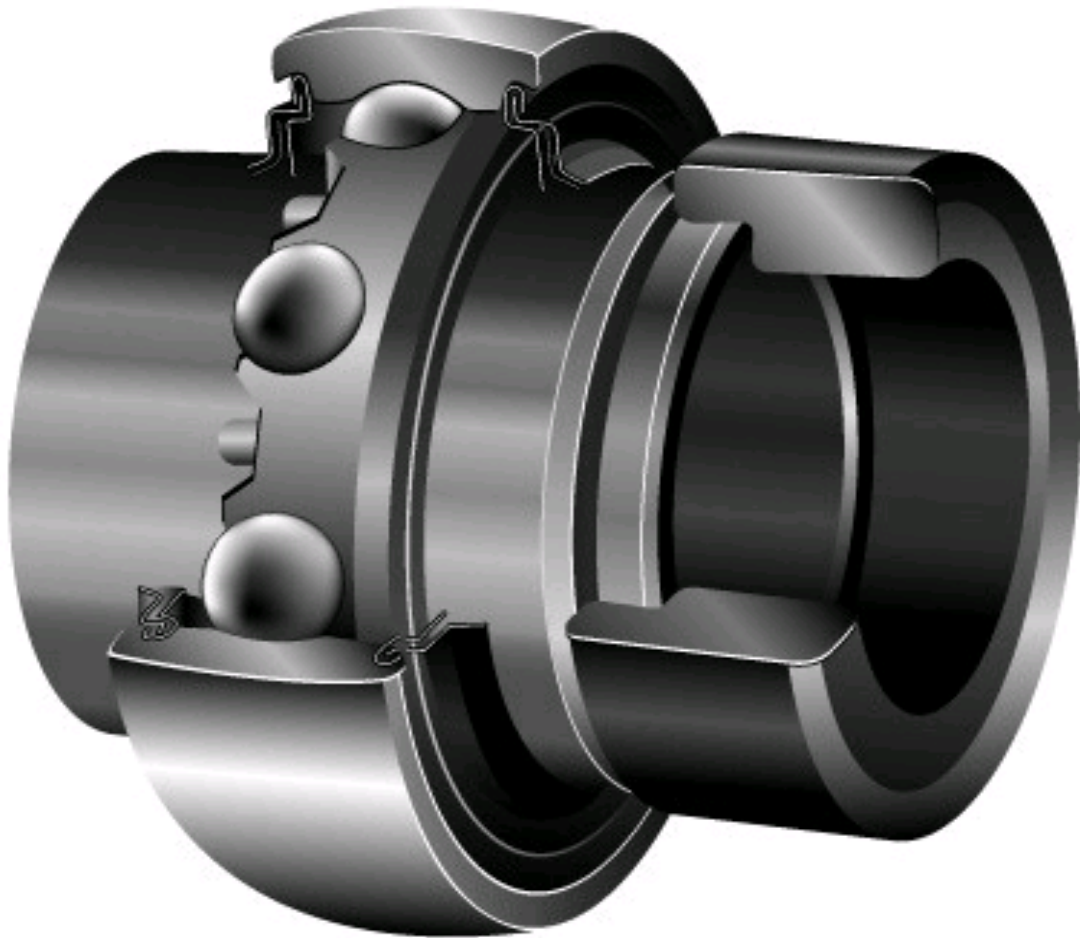
Listed in Ascending Order by Manufacturer Part No.

Spherical and Cylindrical Ball Bearings (cont.)											
AGCO Part No.	Manufacturer Part No.	T y p e	B o r e	A		B		C		D	
				Interior Diameter (in)	(mm)	Outside Diameter (in)	(mm)	Inner Race Width (in)	(mm)	Outer Race Width (in)	(mm)
526057	TMB009LLUC3/5C	2	rd	1.772	45.00	2.953	75.00	0.630	16.00	0.630	16.00
528116	TMB009LLUC3/5C	2	rd	1.772	45.00	2.953	75.00	0.630	16.00	0.630	16.00
528116V	TMB009LLUC3/5C	2	rd	1.772	45.00	2.953	75.00	0.630	16.00	0.630	16.00
17798	TMB205LLUC3/L014	2	rd	0.984	25.00	2.047	52.00	0.591	15.00	0.591	15.00
70575883	W208PPB16	3	hx	1.260	32.00	3.150	80.00	1.417	36.00	0.669	17.00
31-0072	W209PPB2 C4	4	rd	1.772	45.00	3.347	85.00	1.188	30.16	1.188	30.16
34-0103	W209PPB4 C2	4	rd	1.535	39.00	3.347	85.00	1.188	30.16	1.188	30.16
804039	W306PP	2	rd	1.181	30.00	2.835	72.00	0.748	19.00	0.748	19.00
71151719	WK2250.T1428	1	rd	2.125	54.00	2.500	63.50	1.500	38.00	0.747	19.00
833914M1	WS-1375-12	1	rd	0.750	19.05	1.500	38.23	0.510	13.00	0.443	11.25
2759934M1	X376RSCG6Q	2	rd	1.378	35.00	4.000	101.60	1.125	28.58	1.125	28.58





# Wide Inner Ring Bearings

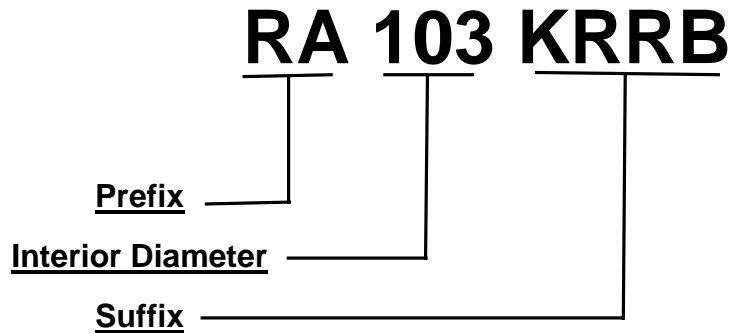




# Wide Inner Ring Bearings

## Introduction

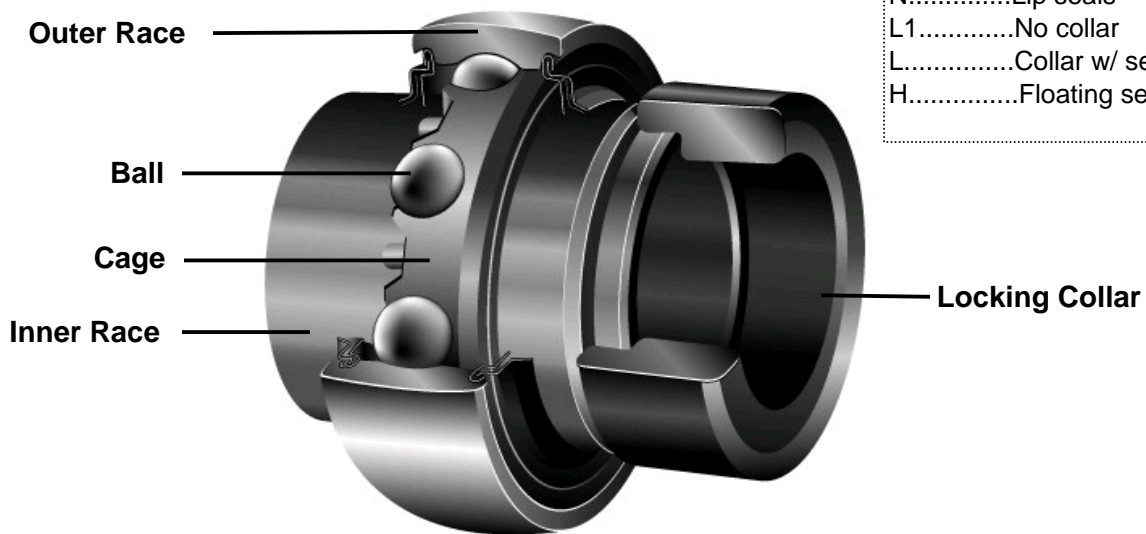
### How To Read A Manufacturer Wide Inner Ring Bearing Part Number



*(Example RA103KRRB: One side extended inner ring; 1-3/16" I.D.; Conrad; Two land riding seals; Spherical)*

### Wide Inner Ring Bearing Number Explanation

<u>Prefix</u>	<u>Interior Diameter</u>	<u>Suffix</u>
<p><b>Timken</b></p> <p>G.....Relubricatable</p> <p>RA...One side extended inner ring, eccentric lock collar</p> <p>GY, ER, YA.....Setscrew lock collar</p> <p><b>SKF</b></p> <p>YET...One side extended inner ring, eccentric lock collar</p> <p>YEL.....Wide inner ring, eccentric lock collar</p> <p>YAR.....Wide inner ring, setscrew lock collar</p> <p><b>Rexnord</b></p> <p>S.....Extended inner ring, spring locking collar</p> <p>U.....Wide inner ring, spring locking collar</p> <p>Y.....Wide inner ring, eccentric lock collar</p> <p>B.....Cylindrical O.D.</p>	<p>Last three numbers describe bore size: First in inches, last two in sixteenths:</p> <p>015.....15/16"</p> <p>103.....1-3/16"</p> <p>204.....2-1/4"</p> <p>25.....25mm (metric)</p> <p>35.....35mm (metric)</p>	<p><b>Timken</b></p> <p>W.....Max capacity filling slot</p> <p>K.....Conrad, non-filling slot</p> <p>B.....Spherical</p> <p>L : LL .....One seal : Two seals</p> <p>P : PP .....One seal : Two seals</p> <p>R : RR(2)..One land riding seal : Two land riding seals</p> <p>S .....External self-aligning</p> <p><b>SKF</b></p> <p>C.....Cylindrical O.D.</p> <p>W.....Non-Relubricatable</p> <p><b>Rexnord</b></p> <p>N.....Lip seals</p> <p>L1.....No collar</p> <p>L.....Collar w/ setscrews</p> <p>H.....Floating seals</p>



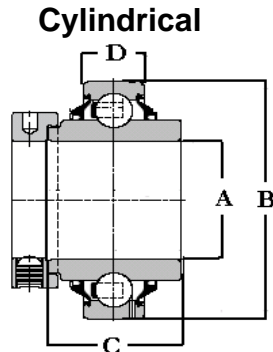


# Wide Inner Ring Bearings

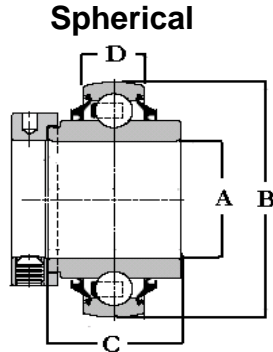
## Introduction

### Identifying the Differences Between Wide Inner Ring Bearings

Cylindrical bearings are designed with a flat outer race to restrict misalignment.



Spherical bearings are designed with a rounded outer race to accept misalignment.

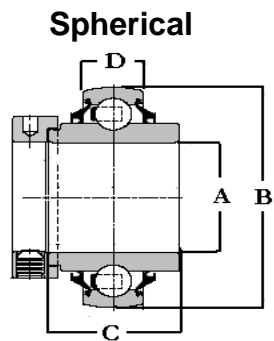
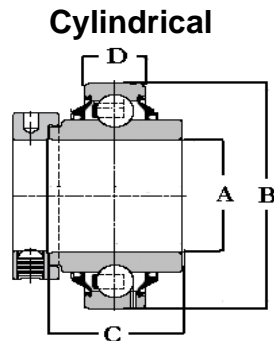


The wide inner ring bearings in this section are categorized by lubrication requirements and the outer race design: Cylindrical (flat) and Spherical (rounded).

A Cylindrical wide inner ring bearing is designed to mount in a straight-bored housing to restrict misalignment from the shaft or housing. A Spherical wide inner ring bearing is designed to mount in a corresponding spherical seat to allow for shaft and housing misalignment.

A Wide inner ring bearing can be used within a housing if the outside diameter (mm) is the same dimension as the Housing Series (mm). Example: 833447M1 (RA010RR + COL) has a 40mm Outside Diameter, which would fit in a 40 Series Housed Unit.

### Understanding the Bearing Page Layout



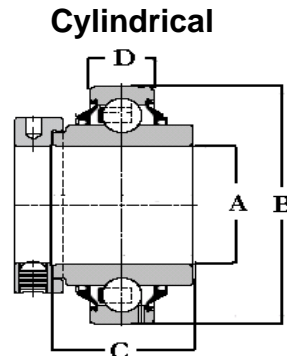
Cylindrical - Prelube									
AGCO Part No.	Manufacturer Part No.	A		B		C		D	
		Interior Diameter (in)	Interior Diameter (mm)	Outside Diameter (in)	Outside Diameter (mm)	Inner Race Width (in)	Inner Race Width (mm)	Outer Race Width (in)	Outer Race Width (mm)
833447M1	RA010RR + COL	0.625	15.88	1.575	40.00	0.750	19.05	0.512	13.00

The Illustrations at the beginning of each wide inner ring bearing section are used to help identify a bearing in the absence of the Manufacturer's Part Number. Column headings include: (A) Interior Diameter, (B) Outside Diameter, (C) Inner Race Width and (D) Outer Race Width.



# Wide Inner Ring Bearings

## Listed in Ascending Order by Interior Diameter



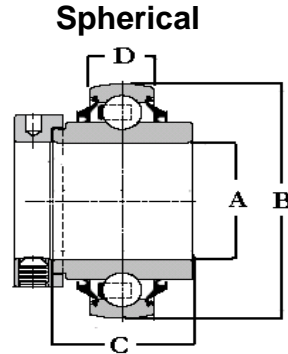
AGCO offers a wide range of bearings from a number of manufacturers. These Manufacturer Part Numbers are listed for reference only. The part number will not guarantee a specific manufacturer.

<b>Cylindrical - Prelube</b>									
AGCO Part No.	Manufacturer Part No.	A		B		C		D	
		Interior Diameter (in)	Interior Diameter (mm)	Outside Diameter (in)	Outside Diameter (mm)	Inner Race Width (in)	Inner Race Width (mm)	Outer Race Width (in)	Outer Race Width (mm)
833447M1	RA010RR + COL	0.625	15.88	1.575	40.00	0.750	19.05	0.512	13.00
7591-1	WB212EL	0.750	19.05	1.850	47.00	0.844	21.43	0.591	15.00
Y50443	RA012RR + COL	0.750	19.05	1.850	47.00	1.219	30.96	0.551	14.00
K3300	RA014RR L/C	0.875	22.23	2.047	52.00	0.843	21.41	0.591	15.00
70559857	1100KL + COL	1.000	25.40	2.047	52.00	1.375	34.93	0.591	15.00
12901	1100KRR C1 L/C	1.000	25.40	2.047	52.00	1.375	34.93	0.591	15.00
70547628	RA100RR + COL	1.000	25.40	2.047	52.00	0.844	21.43	0.591	15.00
843548M1	WB216UL	1.000	25.40	2.047	52.00	0.827	21.00	0.591	15.00
353128X1	RA101RR + COL	1.062	27.00	2.441	62.00	1.250	31.75	0.709	18.00
70590610	RA102RR + COL	1.125	28.58	2.441	62.00	0.938	23.83	0.709	18.00
832779M1	YET 206-102CW	1.125	28.58	2.441	62.00	1.406	35.72	0.709	18.00
834592M91	UB220NL	1.250	31.75	2.834	72.00	1.760	44.70	0.667	16.95
51672	RA103RR2 + COL	1.250	31.75	2.441	62.00	1.406	35.71	0.709	18.00
7713597	1103KRR3 C2 L/C	1.250	31.75	2.440	62.00	1.438	36.51	0.630	16.00
K3538	RA103RR2 L/C	1.250	31.75	2.441	62.00	0.937	23.80	0.709	18.00
W511257E	1104KRR + COL	1.250	31.75	2.835	72.00	1.484	37.70	0.669	17.00
710871	RA104RR L/C	1.250	31.75	2.835	72.00	1.000	25.40	0.748	19.00
714923	1106KRX2 + COL	1.375	34.93	2.835	72.00	1.484	37.69	0.748	19.00
51813	RA106RR + COL	1.375	34.93	2.835	72.00	1.531	38.89	0.748	19.00
8050080	RA106RR L/C	1.375	34.93	2.835	72.00	1.000	25.40	0.748	19.00
70533734	1107KRR + COL	1.438	36.53	2.835	72.00	1.484	37.69	0.748	19.00
843273M1	YET 208-108CW	1.500	38.10	3.150	80.00	1.719	43.66	0.827	21.00
SNDR30022	FHR208-24	1.500	38.10	3.150	80.00	1.188	30.16	0.866	22.00
8050825	RA108RR L/C	1.500	38.10	3.150	80.00	1.188	30.16	0.866	22.00
1043628M91	WB226UL + COL	1.625	41.28	3.347	85.00	1.180	29.97	0.866	22.00
71136941	1112KRR + COL	1.750	44.45	3.347	85.00	1.688	42.86	0.748	19.00
7711294	RA112RR + COL	1.750	44.45	3.347	85.00	1.024	26.01	0.748	19.00
6660460	AELS206-103-NW3	1.818	30.00	2.441	62.00	1.406	35.71	0.709	18.00
700710914	RA203RR L/C	2.188	55.56	3.937	100.00	1.281	32.54	0.945	24.00
<b>Cylindrical - Relube</b>									
831876M1	G1112KRR "A" COL	1.750	44.45	3.347	85.00	1.688	42.86	0.748	19.00



# Wide Inner Ring Bearings

## Listed in Ascending Order by Interior Diameter



AGCO offers a wide range of bearings from a number of manufacturers. These Manufacturer Part Numbers are listed for reference only. The part number will not guarantee a specific manufacturer.

Spherical - Prelube									
AGCO Part No.	Manufacturer Part No.	A		B		C		D	
		Interior Diameter (in)	Interior Diameter (mm)	Outside Diameter (in)	Outside Diameter (mm)	Inner Race Width (in)	Inner Race Width (mm)	Outer Race Width (in)	Outer Race Width (mm)
552-008	RA008RRB + COL	0.500	12.70	1.574	40.00	0.750	19.05	0.507	12.87
710632	RA010RRB	0.625	15.88	1.575	40.00	0.750	19.05	0.512	13.00
70530806	YET203-010W	0.625	15.88	1.575	40.00	0.752	19.10	0.472	12.00
11360	RA010RRB	0.625	15.88	1.575	40.00	0.750	19.05	0.512	13.00
353114X1	RA012RRB + COL	0.750	19.05	1.850	47.00	0.844	21.44	0.591	15.00
50807	1012KRRB + COL	0.750	19.05	1.850	47.00	1.344	34.14	0.551	14.00
12007	1014KPPB3 L/C	0.875	22.23	2.047	52.00	1.380	35.05	0.591	15.00
71308770	YET 205 014 + COL	0.875	22.23	2.047	52.00	0.846	21.49	0.591	15.00
29965X	1014KLLBFS161	0.875	22.23	2.047	52.00	1.375	34.93	0.591	15.00
70825972	1014KRRB + COL	0.875	22.23	2.047	52.00	1.375	34.93	0.591	15.00
W9111920	Y214N	0.875	22.23	2.047	52.00	1.375	34.93	0.591	15.00
W9112450	YEL205-014	0.875	22.23	2.047	52.00	1.374	34.90	0.591	15.00
834198M1	RA015RRB + COL	0.937	23.83	2.047	52.00	1.219	30.96	0.591	15.00
71308962	YEL 205-100-2FW/VT307B	1.000	25.40	2.047	52.00	1.375	34.93	0.591	15.00
71306657	YEL 205-100-2FWU	1.000	25.40	2.047	52.00	1.375	34.93	0.591	15.00
11407V	1100KRRB6	1.000	25.40	2.047	52.00	1.375	34.92	0.591	15.00
71308951	YET 205-100 W	1.000	25.40	2.047	52.00	0.846	21.49	0.591	15.00
353134X1	YET 206-101 W	1.063	26.97	2.441	62.00	0.937	23.80	0.709	18.00
70590709	RA102RRB + COL	1.125	28.58	2.441	62.00	0.938	23.81	0.709	18.00
70590704	RA102RRB L/C	1.125	28.58	2.441	62.00	0.938	23.83	0.709	18.00
7711260	1102KRRB + COL	1.125	28.58	2.440	62.00	1.437	36.50	0.709	18.00
844575M1	C30615C	1.181	30.00	2.835	72.00	1.693	43.00	0.906	23.00
W9110330	YET 206 103W	1.187	30.15	2.441	62.00	0.937	23.80	0.709	18.00
353161X1	YET 206-103W	1.187	30.15	2.441	62.00	0.937	23.80	0.709	18.00
W230548B	1103RRB	1.187	30.15	2.441	62.00	1.438	36.53	0.630	16.00
71308995	1103KRRB3 + COL	1.250	31.75	2.441	62.00	1.437	36.50	0.709	18.00
71308984	YET 206-104 + COLLAR	1.250	31.75	2.441	62.00	0.937	23.80	0.709	18.00
10033	RA104RRB L/C	1.250	31.75	2.835	72.00	1.000	25.40	0.748	19.00
N10830	YET 207-104 WU	1.250	31.75	2.835	72.00	1.000	25.40	0.669	17.00



# Wide Inner Ring Bearings

## Listed in Ascending Order by Interior Diameter

Spherical - Prelube (cont.)									
AGCO Part No.	Manufacturer Part No.	A		B		C		D	
		Interior Diameter (in)	Interior Diameter (mm)	Outside Diameter (in)	Outside Diameter (mm)	Inner Race Width (in)	Inner Race Width (mm)	Outer Race Width (in)	Outer Race Width (mm)
71309117	YEL-207-104 2FWU	1.250	31.75	2.835	72.00	1.484	37.69	0.748	19.00
105794	YHC 207 1042LS8WVT357	1.250	31.75	2.835	72.00	0.987	25.07	0.669	17.00
K2282	Y221NL1	1.312	33.35	2.835	72.00	1.484	37.70	0.669	17.00
SNRT160715	FH207-22	1.375	33.32	2.835	72.00	1.000	25.40	0.748	19.00
832440M1	N106KRRB	1.375	34.93	2.835	72.00	1.000	25.40	0.748	19.00
50021	RA106RRB + COL	1.375	34.93	2.835	72.00	1.000	25.40	0.748	19.00
71333775	YET 207-106WU/C3VT307B	1.375	34.93	2.835	72.00	1.000	25.40	0.748	19.00
71309128	1106KRRB + COL	1.375	34.93	2.835	72.00	1.484	37.69	0.748	19.00
K4037	1106KRRBC1 L/C	1.375	34.93	2.835	72.00	1.484	37.69	0.748	19.00
70547444	RA107RRB + COL	1.437	36.50	2.835	72.00	1.000	25.40	0.748	19.00
70596232	Y223NL	1.437	36.50	2.834	72.00	1.484	37.69	0.748	19.00
50468	RA108RRB + COL	1.500	38.10	3.150	80.00	1.719	43.66	0.866	22.00
Y713198	RA108RRB3 + COL	1.500	38.10	3.150	80.00	1.719	43.66	0.866	22.00
71122510	1108KRRB + COL	1.500	38.10	3.150	80.00	1.687	42.85	0.866	22.00
831778M1	SBX0838	1.500	38.10	3.150	80.00	1.500	38.10	0.709	18.00
712539	N108KRRB + COL	1.500	38.10	3.540	90.00	1.620	41.15	0.984	25.00
15892	N108KRRB	1.500	38.10	3.543	90.00	1.620	41.15	0.965	24.51
842874M1	RA109RRB + COL	1.562	39.67	3.150	80.00	1.000	25.40	0.709	18.00
700709619	RAE40RRB + COL	1.575	40.00	3.150	80.00	1.180	29.97	0.866	22.00
832746M1	RA110RRB/COL	1.625	41.28	3.347	85.00	1.024	26.01	0.748	19.00
70539158	1112KRRB + COL	1.750	44.45	3.346	85.00	1.688	42.88	0.748	19.00
51318	RA112RRB + COL	1.750	44.45	3.346	85.00	1.187	30.15	0.866	22.00
12340	WPS112GPN	1.750	44.45	3.346	85.00	1.690	42.93	0.748	19.00
31-0064	W228EL	1.750	44.45	3.347	85.00	1.188	30.18	0.868	22.05
71138465	RA114RRB+COL	1.890	48.00	3.543	90.00	1.181	30.00	0.866	22.00
834206M1	RA115RRB + COL	1.937	49.20	3.543	90.00	1.187	30.15	0.866	22.00
712943	RA115RRB2 + COL	2.000	50.80	3.540	90.00	1.188	30.18	0.866	22.00
712158	RA200RRB + COL	2.000	50.80	3.937	100.00	1.281	32.54	0.945	24.00
W15A14875	1202KRRB	2.125	53.98	3.937	100.00	2.188	55.58	0.827	21.00
832455M1	1203KRRB + COL	2.188	55.56	3.937	100.00	2.187	55.55	0.827	21.00
700704263	RA203RRB + COL	2.188	55.56	3.937	100.00	1.906	48.41	0.945	24.00
833809M3	N203KPPB2 L/C	2.188	55.56	4.724	120.00	2.188	55.56	1.142	29.00
71365065	YAR212-207W	2.875	73.03	4.331	110.00	2.562	65.07	1.024	26.00
Spherical - Relube									
844095M1	YET 205 100	1.000	25.40	2.047	52.00	0.846	21.49	0.591	15.00
710210	YG216NL (YG216N-W216-5)	1.000	25.40	2.047	52.00	1.375	34.93	0.591	15.00
12628	G1101KRRB	1.063	27.00	2.441	62.00	1.440	36.58	0.709	18.00
70590710	YET 206 102	1.125	28.58	2.441	62.00	0.938	23.81	0.709	18.00
1142452	GRAE30RRB + COL	1.180	30.00	2.440	62.00	1.410	35.81	0.630	16.00
Y711465	G1103KRRB + COL	1.188	30.18	2.441	62.00	1.437	36.50	0.709	18.00



# Wide Inner Ring Bearings

## Listed in Ascending Order by Interior Diameter

Spherical - Relube (cont.)									
AGCO Part No.	Manufacturer Part No.	A		B		C		D	
		Interior Diameter (in)	Interior Diameter (mm)	Outside Diameter (in)	Outside Diameter (mm)	Inner Race Width (in)	Inner Race Width (mm)	Outer Race Width (in)	Outer Race Width (mm)
70590711	GRA103RRB2 + COL	1.250	31.75	2.441	62.00	0.938	23.81	0.709	18.00
Y711895	GC1103KRRB + COL	1.250	31.75	2.441	62.00	1.437	36.50	0.709	18.00
843332M1	GRA103RRB2 + COL	1.250	31.75	2.441	62.00	0.937	23.80	0.709	18.00
3734388M1	UEL207-104D1V1	1.250	31.75	2.835	72.00	1.480	37.60	0.787	20.00
Y713453	WPS104TTRNCC3(G100)	1.250	31.75	2.835	72.00	1.484	37.69	0.748	19.00
17350	YEL 207-104-2FU	1.250	31.75	2.834	72.00	1.480	37.59	0.748	19.00
70590712	YET 207-104	1.250	31.75	2.835	72.00	1.000	25.40	0.748	19.00
11543	YG220E3L1	1.250	31.75	2.835	72.00	1.480	37.59	0.748	19.00
Y710434	G1104KRRB + COL	1.250	31.75	2.835	72.00	1.484	37.69	0.748	19.00
711846	GC1104KRRB + COL	1.250	31.75	2.835	72.00	1.484	37.69	0.748	19.00
7745-17	G1103KRRB3	1.250	31.75	2.441	62.00	1.457	37.00	0.709	18.00
N12979	G1106KPPB2 L/C	1.375	34.93	2.835	72.00	1.484	37.69	0.748	19.00
12640	G1106KRRB C1 L/C	1.375	34.93	2.835	72.00	1.484	37.69	0.748	19.00
711853	GC1106KRRB + COL	1.375	34.93	2.835	72.00	1.484	37.69	0.748	19.00
70542703	YEL 207-106 + COL	1.375	34.93	2.835	72.00	1.484	37.69	0.748	19.00
712315	YET 207 106	1.375	34.93	2.830	72.00	1.000	25.40	0.748	19.00
70590713	YET 207 106	1.375	34.93	2.835	72.00	1.000	25.40	0.748	19.00
6215759	JEL207D1	1.378	35.00	2.835	72.00	1.000	25.40	0.748	19.00
6215743	UEL207D1	1.378	35.00	2.835	72.00	1.480	37.60	0.787	20.00
843387M1	G1107KRRB/COL	1.437	36.50	2.834	72.00	1.479	37.58	0.748	19.00
711630	YET 207-107W	1.437	36.50	2.834	72.00	1.531	38.89	0.748	19.00
10970	G1108KRRB C1 L/C	1.500	38.10	3.150	80.00	1.685	42.80	0.866	22.00
17294	GC1108KRRB	1.500	38.10	3.150	80.00	1.734	44.04	0.827	21.00
N17294	GC1108KRRB + COL	1.500	38.10	3.150	80.00	1.734	44.04	0.827	21.00
712059	YEL 208-108	1.500	38.10	3.150	80.00	1.687	42.85	0.827	21.00
843636M1	GRA108RRB + COL	1.500	38.10	3.150	80.00	1.185	30.10	0.866	22.00
SNRT160500	HC208-24	1.500	38.10	3.150	80.00	1.687	42.85	0.866	22.00
3734161M1	GE40KRRB + COL	1.575	40.00	3.150	80.00	1.687	42.86	0.827	21.00
700701712	GRAE40RRB + COL	1.575	40.00	3.150	80.00	1.188	30.18	0.866	22.00
6573125	UC308D1	1.575	40.00	3.543	90.00	2.047	52.00	1.063	27.00
SNRT160600	HC209-28	1.750	44.45	3.347	85.00	1.687	42.85	0.866	22.00
15637	JL209-112D1	1.750	44.45	3.346	85.00	1.188	30.18	0.866	22.00
7745-37	YG228E3LK33	1.750	44.45	3.347	85.00	1.687	42.86	0.866	22.00
K4438	UG228NL	1.750	44.45	3.347	85.00	1.938	49.23	1.094	27.79
831877M1	YEL 209-112-2F	1.750	44.45	3.347	85.00	1.683	42.75	0.866	22.00
7710015	GC1112KRRB + COL	1.750	44.45	3.350	85.00	1.843	46.81	0.866	22.00
22602X	G1115KRRB + COL	1.938	49.23	3.543	90.00	1.938	49.23	0.905	23.00
7713647	WG2E52U + COL	2.000	50.80	3.540	90.00	1.188	30.18	0.866	22.00
714329	UG232NL	2.000	50.80	3.937	100.00	1.188	30.18	0.866	22.00
7713985	YG232E3L	2.000	50.80	3.937	100.00	2.187	55.55	0.984	25.00



# Wide Inner Ring Bearings

## Listed in Ascending Order by Interior Diameter

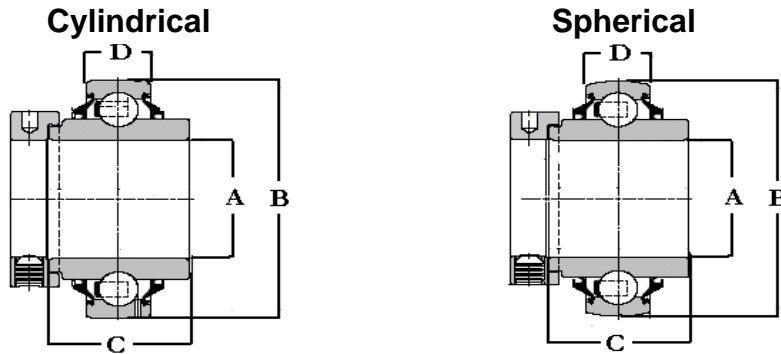
Spherical - Relube (cont.)									
AGCO Part No.	Manufacturer Part No.	A		B		C		D	
		Interior Diameter (in)	(mm)	Outside Diameter (in)	(mm)	Inner Race Width (in)	(mm)	Outer Race Width (in)	(mm)
15735	GRA200RRB W/COL	2.000	50.80	3.936	100.00	1.281	32.54	0.945	24.00
842608M1	GC1203KRRB	2.188	55.58	3.936	100.00	2.153	54.69	0.984	25.00
12705	YEL 211-203	2.187	55.55	3.937	100.00	2.190	55.63	1.142	29.00
2552530W1	GN207KRRB + COL	2.437	61.90	5.118	130.00	2.438	61.93	1.299	33.00
15862	G1211KRRB + COL	2.687	68.25	4.912	125.00	2.688	68.28	1.413	35.88
2490830W1	UL315-215D1	2.937	74.60	6.299	160.00	2.938	74.63	1.535	39.00





# Wide Inner Ring Bearings

## Listed in Ascending Order by Manufacturer Part No.



AGCO offers a wide range of bearings from a number of manufacturers. These Manufacturer Part Numbers are listed for reference only. The part number will not guarantee a specific manufacturer.

Wide Inner Ring Ball Bearings											
AGCO Part No.	Manufacturer Part No.	A		B		C		D		Type	Lube
		Interior Diameter (in)	(mm)	Outside Diameter (in)	(mm)	Inner Race Width (in)	(mm)	Outer Race Width (in)	(mm)		
50807	1012KRRB + COL	0.750	19.05	1.850	47.00	1.344	34.14	0.551	14.00	S	Pre
29965X	1014KLLBFS161	0.875	22.23	2.047	52.00	1.375	34.93	0.591	15.00	S	Pre
12007	1014KPPB3 L/C	0.875	22.23	2.047	52.00	1.380	35.05	0.591	15.00	S	Pre
70825972	1014KRRB + COL	0.875	22.23	2.047	52.00	1.375	34.93	0.591	15.00	S	Pre
70559857	1100KL + COL	1.000	25.40	2.047	52.00	1.375	34.93	0.591	15.01	C	Pre
12901	1100KRR C1 L/C	1.000	25.40	2.047	52.00	1.375	34.93	0.591	15.01	C	Pre
11407V	1100KRRB6	1.000	25.40	2.047	52.00	1.375	34.92	0.591	15.00	S	Pre
7711260	1102KRRB + COL	1.125	28.58	2.440	62.00	1.437	36.50	0.709	18.00	S	Pre
7713597	1103KRR3 C2 L/C	1.250	31.75	2.440	62.00	1.438	36.51	0.630	16.00	C	Pre
71308995	1103KRRB3 + COL	1.250	31.75	2.441	62.00	1.437	36.50	0.709	18.00	S	Pre
W230548B	1103RRB	1.187	30.15	2.441	62.00	1.438	36.53	0.630	16.00	S	Pre
W511257E	1104KRR + COL	1.250	31.75	2.835	72.00	1.484	37.70	0.669	17.00	C	Pre
71309128	1106KRRB + COL	1.375	34.93	2.835	72.00	1.484	37.69	0.748	19.00	S	Pre
K4037	1106KRRBC1 L/C	1.375	34.93	2.835	72.00	1.484	37.69	0.748	19.00	S	Pre
714923	1106KRX2 + COL	1.375	34.93	2.835	72.00	1.484	37.69	0.748	19.00	C	Pre
70533734	1107KRR + COL	1.438	36.53	2.835	72.00	1.484	37.69	0.748	19.00	C	Pre
71122510	1108KRRB + COL	1.500	38.10	3.150	80.00	1.687	42.85	0.866	22.00	S	Pre
71136941	1112KRR + COL	1.750	44.45	3.347	85.00	1.688	42.86	0.748	19.00	C	Pre
70539158	1112KRRB + COL	1.750	44.45	3.346	85.00	1.688	42.88	0.748	19.00	S	Pre
W15A14875	1202KRRB	2.125	53.98	3.937	100.00	2.188	55.58	0.827	21.00	S	Pre
832455M1	1203KRRB + COL	2.188	55.56	3.937	100.00	2.187	55.55	0.827	21.00	S	Pre
6660460	AELS206-103-NW3	1.818	30.00	2.441	62.00	1.406	35.71	0.709	18.00	C	Pre
844575M1	C30615C	1.181	30.00	2.835	72.00	1.693	43.00	0.906	23.00	S	Pre
SNRT160715	FH207-22	1.375	33.32	2.835	72.00	1.000	25.40	0.748	19.00	S	Pre
SNDR30022	FHR208-24	1.500	38.10	3.150	80.00	1.188	30.16	0.866	22.00	C	Pre
12628	G1101KRRB	1.063	27.00	2.441	62.00	1.440	36.58	0.709	18.00	S	Re
Y711465	G1103KRRB + COL	1.188	30.18	2.441	62.00	1.437	36.50	0.709	18.00	S	Re
7745-17	G1103KRRB3	1.250	31.75	2.441	62.00	1.457	37.00	0.709	18.00	S	Re
Y710434	G1104KRRB + COL	1.250	31.75	2.835	72.00	1.484	37.69	0.748	19.00	S	Re

**S: Spherical; C: Cylindrical**  
**Pre: Prelube; Re: Relube**



# Wide Inner Ring Bearings

## Listed in Ascending Order by Manufacturer Part No.

Wide Inner Ring Ball Bearings (cont.)											
AGCO Part No.	Manufacturer Part No.	A		B		C		D		Type	Lube
		Interior Diameter (in)	Interior Diameter (mm)	Outside Diameter (in)	Outside Diameter (mm)	Inner Race Width (in)	Inner Race Width (mm)	Outer Race Width (in)	Outer Race Width (mm)		
N12979	G1106KPPB2 L/C	1.375	34.93	2.835	72.00	1.484	37.69	0.748	19.00	S	Re
12640	G1106KRRB C1 L/C	1.375	34.93	2.835	72.00	1.484	37.69	0.748	19.00	S	Re
843387M1	G1107KRRB/COL	1.437	36.50	2.834	72.00	1.479	37.58	0.748	19.00	S	Re
10970	G1108KRRB C1 L/C	1.500	38.10	3.150	80.00	1.685	42.80	0.866	22.00	S	Re
831876M1	G1112KRR "A" COL	1.750	44.45	3.347	85.00	1.688	42.86	0.748	19.00	C	Re
22602X	G1115KRRB + COL	1.938	49.23	3.543	90.00	1.938	49.23	0.905	23.00	S	Re
15862	G1211KRRB + COL	2.687	68.25	4.912	125.00	2.688	68.28	1.413	35.88	S	Re
Y711895	GC1103KRRB + COL	1.250	31.75	2.441	62.00	1.437	36.50	0.709	18.00	S	Re
711846	GC1104KRRB + COL	1.250	31.75	2.835	72.00	1.484	37.69	0.748	19.00	S	Re
711853	GC1106KRRB + COL	1.375	34.93	2.835	72.00	1.484	37.69	0.748	19.00	S	Re
17294	GC1108KRRB	1.500	38.10	3.150	80.00	1.734	44.04	0.827	21.00	S	Re
N17294	GC1108KRRB + COL	1.500	38.10	3.150	80.00	1.734	44.04	0.827	21.00	S	Re
7710015	GC1112KRRB + COL	1.750	44.45	3.350	85.00	1.843	46.81	0.866	22.00	S	Re
842608M1	GC1203KRRB	2.188	55.58	3.936	100.00	2.153	54.69	0.984	25.00	S	Re
3734161M1	GE40KRRB + COL	1.575	40.00	3.150	80.00	1.687	42.86	0.827	21.00	S	Re
2552530W1	GN207KRRB + COL	2.437	61.90	5.118	130.00	2.438	61.93	1.299	33.00	S	Re
70590711	GRA103RRB2 + COL	1.250	31.75	2.441	62.00	0.938	23.81	0.709	18.00	S	Re
843332M1	GRA103RRB2 + COL	1.250	31.75	2.441	62.00	0.937	23.80	0.709	18.00	S	Re
843636M1	GRA108RRB + COL	1.500	38.10	3.150	80.00	1.185	30.10	0.866	22.00	S	Re
15735	GRA200RRB W/COL	2.000	50.80	3.936	100.00	1.281	32.54	0.945	24.00	S	Re
1142452	GRAE30RRB + COL	1.180	30.00	2.440	62.00	1.410	35.81	0.630	16.00	S	Re
700701712	GRAE40RRB + COL	1.575	40.00	3.150	80.00	1.188	30.18	0.866	22.00	S	Re
SNRT160500	HC208-24	1.500	38.10	3.150	80.00	1.687	42.85	0.866	22.00	S	Re
SNRT160600	HC209-28	1.750	44.45	3.347	85.00	1.687	42.85	0.866	22.00	S	Re
6215759	JEL207D1	1.378	35.00	2.835	72.00	1.000	25.40	0.748	19.00	S	Re
15637	JL209-112D1	1.750	44.45	3.346	85.00	1.188	30.18	0.866	22.00	S	Re
832440M1	N106KRRB	1.375	34.93	2.835	72.00	1.000	25.40	0.748	19.00	S	Pre
15892	N108KRRB	1.500	38.10	3.543	90.00	1.620	41.15	0.965	24.51	S	Pre
712539	N108KRRB + COL	1.500	38.10	3.540	90.00	1.620	41.15	0.984	25.00	S	Pre
833809M3	N203KPPB2 L/C	2.188	55.56	4.724	120.00	2.188	55.56	1.142	29.00	S	Pre
552-008	RA008RRB + COL	0.500	12.70	1.574	40.00	0.750	19.05	0.507	12.87	S	Pre
833447M1	RA010RR + COL	0.625	15.88	1.575	40.00	0.750	19.05	0.512	13.00	C	Pre
11360	RA010RRB	0.626	15.89	1.575	40.00	0.750	19.05	0.512	13.00	S	Pre
710632	RA010RRB	0.625	15.88	1.575	40.00	0.750	19.05	0.512	13.00	S	Pre
Y50443	RA012RR + COL	0.750	19.05	1.850	47.00	1.219	30.96	0.551	14.00	C	Pre
353114X1	RA012RRB + COL	0.750	19.05	1.850	47.00	0.844	21.44	0.591	15.00	S	Pre
K3300	RA014RR L/C	0.875	22.23	2.047	52.00	0.843	21.41	0.590	14.99	C	Pre
70547628	RA100RR + COL	1.000	25.40	2.047	52.00	0.844	21.43	0.591	15.00	C	Pre
353128X1	RA101RR + COL	1.062	27.00	2.441	62.00	1.250	31.75	0.709	18.00	C	Pre
70590610	RA102RR + COL	1.125	28.58	2.441	62.00	0.938	23.83	0.709	18.01	C	Pre

**S: Spherical; C: Cylindrical**  
**Pre: Prelube; Re: Relube**



# Wide Inner Ring Bearings

## Listed in Ascending Order by Manufacturer Part No.

Wide Inner Ring Ball Bearings (cont.)											
AGCO Part No.	Manufacturer Part No.	A		B		C		D		Type	Lube
		Interior Diameter (in)	Interior Diameter (mm)	Outside Diameter (in)	Outside Diameter (mm)	Inner Race Width (in)	Inner Race Width (mm)	Outer Race Width (in)	Outer Race Width (mm)		
70590709	RA102RRB + COL	1.125	28.58	2.441	62.00	0.938	23.81	0.709	18.00	S	Pre
70590704	RA102RRB L/C	1.125	28.58	2.441	62.00	0.938	23.83	0.709	18.00	S	Pre
51672	RA103RR2 + COL	1.250	31.75	2.441	62.00	1.406	35.71	0.709	18.00	C	Pre
K3538	RA103RR2 L/C	1.250	31.75	2.441	62.00	0.937	23.80	0.709	18.01	C	Pre
710871	RA104RR L/C	1.250	31.75	2.835	72.00	1.000	25.40	0.748	19.00	C	Pre
10033	RA104RRB L/C	1.250	31.75	2.835	72.00	1.000	25.40	0.748	19.00	S	Pre
51813	RA106RR + COL	1.375	34.93	2.835	72.00	1.531	38.89	0.748	19.00	C	Pre
8050080	RA106RR L/C	1.375	34.93	2.835	72.00	1.000	25.40	0.748	19.00	C	Pre
50021	RA106RRB + COL	1.375	34.93	2.835	72.00	1.000	25.40	0.748	19.00	S	Pre
70547444	RA107RRB + COL	1.437	36.50	2.835	72.00	1.000	25.40	0.748	19.00	S	Pre
8050825	RA108RR L/C	1.500	38.10	3.150	80.00	1.188	30.16	0.866	22.00	C	Pre
50468	RA108RRB + COL	1.500	38.10	3.150	80.00	1.719	43.66	0.866	22.00	S	Pre
Y713198	RA108RRB3 + COL	1.500	38.10	3.150	80.00	1.719	43.66	0.866	22.00	S	Pre
842874M1	RA109RRB + COL	1.562	39.67	3.150	80.00	1.000	25.40	0.709	18.00	S	Pre
832746M1	RA110RRB/COL	1.625	41.28	3.347	85.00	1.024	26.01	0.749	19.02	S	Pre
7711294	RA112RR + COL	1.750	44.45	3.347	85.00	1.024	26.01	0.748	19.00	C	Pre
51318	RA112RRB + COL	1.750	44.45	3.346	85.00	1.187	30.15	0.866	22.00	S	Pre
71138465	RA114RRB+COL	1.890	48.00	3.543	90.00	1.181	30.00	0.866	22.00	S	Pre
834206M1	RA115RRB + COL	1.937	49.20	3.543	90.00	1.187	30.15	0.866	22.00	S	Pre
712943	RA115RRB2 + COL	2.000	50.80	3.540	90.00	1.188	30.18	0.866	22.00	S	Pre
712158	RA200RRB + COL	2.000	50.80	3.937	100.00	1.281	32.54	0.945	24.00	S	Pre
700710914	RA203RR L/C	2.188	55.56	3.937	100.00	1.281	32.54	0.945	24.00	C	Pre
700704263	RA203RRB + COL	2.188	55.56	3.937	100.00	1.906	48.41	0.945	24.00	S	Pre
700709619	RAE40RRB + COL	1.575	40.00	3.150	80.00	1.180	29.97	0.866	22.00	S	Pre
834198M1	RAO15RRB + COL	0.937	23.83	2.047	52.00	1.219	30.96	0.591	15.00	S	Pre
831778M1	SBX0838	1.500	38.10	3.150	80.00	1.500	38.10	0.709	18.00	S	Pre
834592M91	UB220NL	1.250	31.75	2.834	72.00	1.760	44.70	0.667	16.95	C	Pre
6573125	UC308D1	1.575	40.00	3.543	90.00	2.047	52.00	1.063	27.00	S	Re
3734388M1	UEL207-104D1V1	1.250	31.75	2.835	72.00	1.480	37.60	0.787	20.00	S	Re
6215743	UEL207D1	1.378	35.00	2.835	72.00	1.480	37.60	0.787	20.00	S	Re
K4438	UG228NL	1.750	44.45	3.347	85.00	1.938	49.23	1.094	27.79	S	Re
714329	UG232NL	2.000	50.80	3.937	100.00	1.188	30.18	0.866	22.00	S	Re
2490830W1	UL315-215D1	2.937	74.60	6.299	160.00	2.938	74.63	1.535	39.00	S	Re
31-0064	W228EL	1.750	44.45	3.347	85.00	1.188	30.18	0.868	22.05	S	Pre
7591-1	WB212EL	0.750	19.05	1.850	47.00	0.844	21.43	0.591	15.00	C	Pre
843548M1	WB216UL	1.000	25.40	2.047	52.00	0.827	21.00	0.591	15.00	C	Pre
1043628M91	WB226UL + COL	1.625	41.28	3.347	85.00	1.180	29.97	0.866	22.00	C	Pre
7713647	WG2E52U + COL	2.000	50.80	3.540	90.00	1.188	30.18	0.866	22.00	S	Re
Y713453	WPS104TTRNCC3	1.250	31.75	2.835	72.00	1.484	37.69	0.748	19.00	S	Re
12340	WPS112GPN	1.750	44.45	3.346	85.00	1.690	42.93	0.748	19.00	S	Pre

**S: Spherical; C: Cylindrical**  
**Pre: Prelube; Re: Relube**



# Wide Inner Ring Bearings

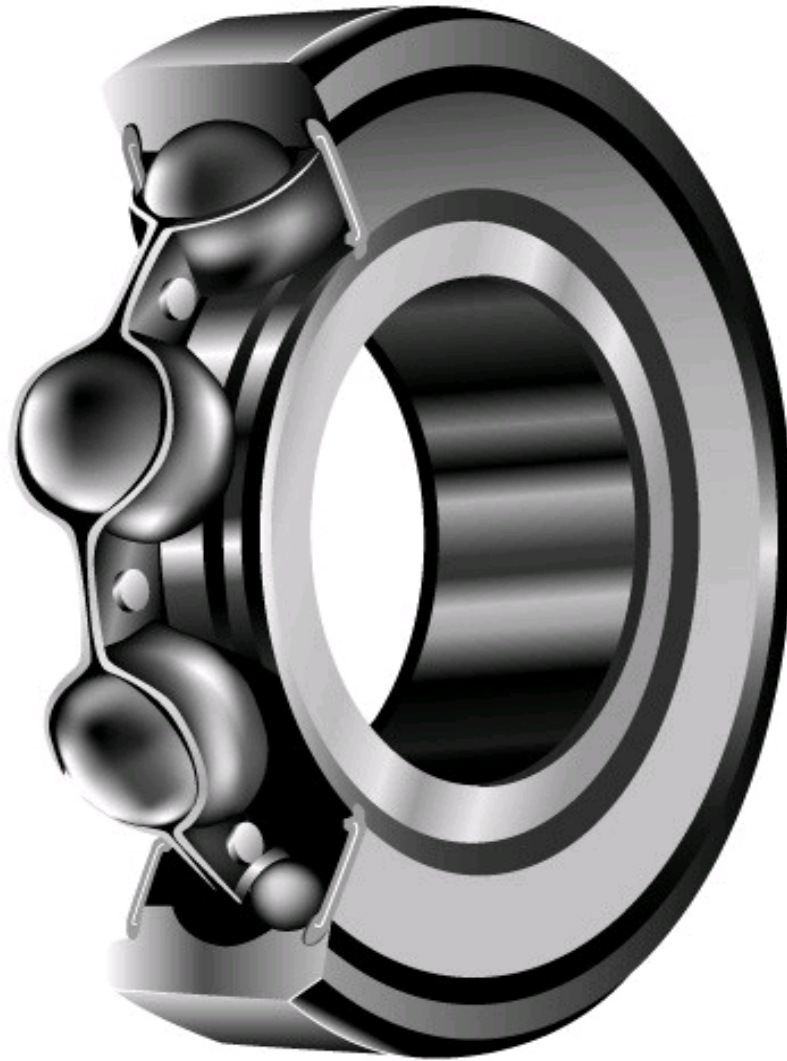
## Listed in Ascending Order by Manufacturer Part No.

Wide Inner Ring Ball Bearings (cont.)											
AGCO Part No.	Manufacturer Part No.	A		B		C		D		Type	Lube
		Interior Diameter (in)	Interior Diameter (mm)	Outside Diameter (in)	Outside Diameter (mm)	Inner Race Width (in)	Inner Race Width (mm)	Outer Race Width (in)	Outer Race Width (mm)		
W9111920	Y214N	0.875	22.23	2.047	52.00	1.375	34.93	0.591	15.00	S	Pre
K2282	Y221NL1	1.312	33.35	2.835	72.00	1.484	37.70	0.669	17.00	S	Pre
70596232	Y223NL	1.437	36.50	2.834	72.00	1.484	37.69	0.748	19.00	S	Pre
71365065	YAR212-207W	2.875	73.03	4.331	110.00	2.562	65.07	1.024	26.00	S	Pre
W9112450	YEL 205-014	0.875	22.23	2.047	52.00	1.374	34.90	0.591	15.00	S	Pre
71308962	YEL 205-100-2FW/VT307B	1.000	25.40	2.047	52.00	1.375	34.93	0.591	15.00	S	Pre
71306657	YEL 205-100-2FWU	1.000	25.40	2.047	52.00	1.375	34.93	0.591	15.00	S	Pre
71309117	YEL 207-104 2FWU	1.250	31.75	2.835	72.00	1.484	37.69	0.748	19.00	S	Pre
17350	YEL 207-104-2FU	1.250	31.75	2.834	72.00	1.480	37.59	0.748	19.00	S	Re
70542703	YEL 207-106 + COL	1.375	34.93	2.835	72.00	1.484	37.69	0.748	19.00	S	Re
712059	YEL 208-108	1.500	38.10	3.150	80.00	1.687	42.85	0.827	21.00	S	Re
831877M1	YEL 209-112-2F	1.750	44.45	3.347	85.00	1.683	42.75	0.866	22.00	S	Re
12705	YEL 211-203	2.187	55.55	3.937	100.00	2.190	55.63	1.142	29.00	S	Re
71308770	YET 205 014 + COL	0.875	22.23	2.047	52.00	0.846	21.49	0.591	15.00	S	Pre
844095M1	YET 205 100	1.000	25.40	2.047	52.00	0.846	21.49	0.591	15.00	S	Re
71308951	YET 205-100 W	1.000	25.40	2.047	52.00	0.846	21.49	0.591	15.00	S	Pre
70590710	YET 206 102	1.125	28.58	2.441	62.00	0.938	23.81	0.709	18.00	S	Re
W9110330	YET 206 103W	1.187	30.15	2.441	62.00	0.937	23.80	0.709	18.00	S	Pre
353134X1	YET 206-101 W	1.063	26.97	2.441	62.00	0.937	23.80	0.709	18.00	S	Pre
832779M1	YET 206-102CW	1.125	28.58	2.441	62.00	1.406	35.72	0.709	18.00	C	Pre
353161X1	YET 206-103W	1.187	30.15	2.441	62.00	0.937	23.80	0.709	18.00	S	Pre
71308984	YET 206-104 + COL	1.250	31.75	2.441	62.00	0.937	23.80	0.709	18.00	S	Pre
712315	YET 207 106	1.375	34.93	2.830	72.00	1.000	25.40	0.748	19.00	S	Re
70590713	YET 207 106	1.375	34.93	2.835	72.00	1.000	25.40	0.748	19.00	S	Re
70590712	YET 207-104	1.250	31.75	2.835	72.00	1.000	25.40	0.748	19.00	S	Re
N10830	YET 207-104 WU	1.250	31.75	2.835	72.00	1.000	25.40	0.669	17.00	S	Pre
71333775	YET 207-106WU/C3VT307B	1.375	34.93	2.835	72.00	1.000	25.40	0.748	19.00	S	Pre
711630	YET 207-107W	1.437	36.50	2.834	72.00	1.531	38.89	0.748	19.00	S	Re
843273M1	YET 208-108CW	1.500	38.10	3.150	80.00	1.719	43.66	0.827	21.00	C	Pre
70530806	YET203-010W	0.625	15.88	1.575	40.00	0.752	19.10	0.472	12.00	S	Pre
710210	YG216NL (YG216N-W216-5)	1.000	25.40	2.047	52.00	1.375	34.93	0.591	15.00	S	Re
11543	YG220E3L1	1.250	31.75	2.835	72.00	1.480	37.59	0.748	19.00	S	Re
7745-37	YG228E3LK33	1.750	44.45	3.347	85.00	1.687	42.86	0.866	22.00	S	Re
7713985	YG232E3L	2.000	50.80	3.937	100.00	2.187	55.55	0.984	25.00	S	Re
105794	YHC 207 1042LS8WVT357	1.250	31.75	2.835	72.00	0.987	25.07	0.669	17.00	S	Pre

S: Spherical; C: Cylindrical  
Pre: Prelube; Re: Relube



# Disc Harrow Bearings

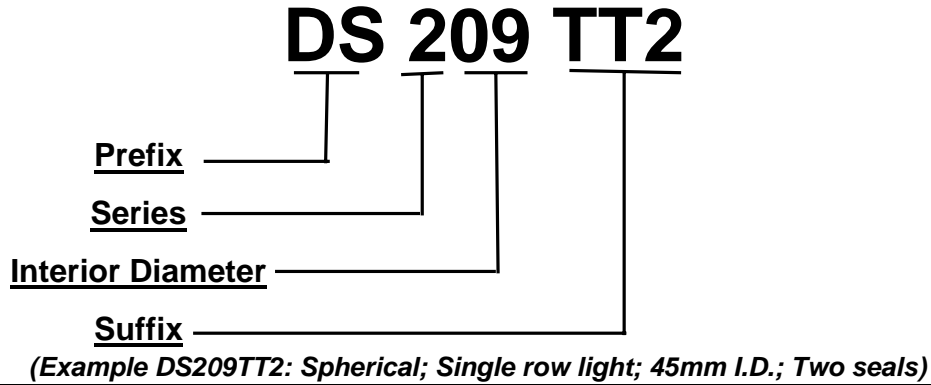




# Disc Harrow Bearings

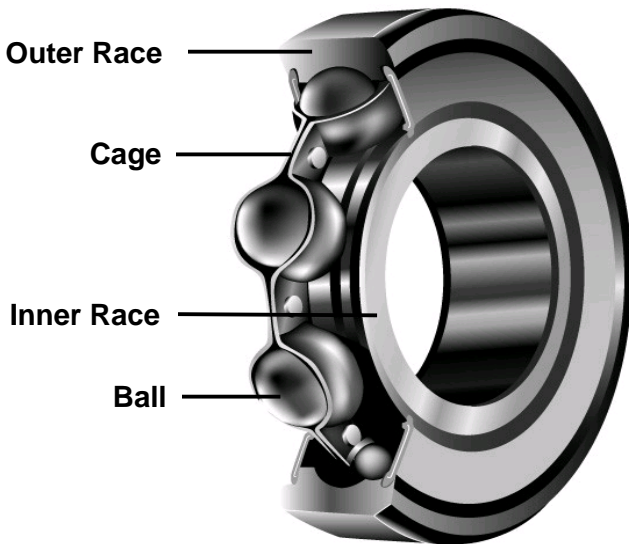
## Introduction

### How To Read A Manufacturer Disc Harrow Bearing Part Number



### Disc Harrow Bearing Number Explanation

<u>Prefix</u>	<u>Series</u>	<u>Interior Diameter</u>	<u>Suffix</u>
<p><b>Timken</b></p> <p>G.....Relubricatable</p> <p>W.....Wide-type</p> <p><b>BCA</b></p> <p>DS.....Spherical</p> <p>DC.....Cylindrical</p> <p>HPS ...Hex bore, spherical</p> <p>FD.....Flanged disc asy.</p> <p><b>NTN</b></p> <p>AS.....Square bore</p> <p>AC.....Round bore</p> <p>AH.....Hex bore</p>	<p><b>Timken BCA</b></p> <p>30... Single row metric, small</p> <p>100... Single row, extra large</p> <p>200... Single row, light</p> <p>300... Single row, medium</p>	<p>00... 10mm</p> <p>01... 12mm</p> <p>02... 15mm</p> <p>03... 17mm</p> <p>04... 20mm</p> <p>*04 and up: multiply the last two numbers by 5 to get bore size in millimeters</p>	<p><b>Timken</b></p> <p>B.....Spherical</p> <p>D : DD...One shield : Two shields</p> <p>L : LL .....One seal : Two seals</p> <p>P : PP....One seal : Two seals</p> <p>R : RR(2)..One land riding seal : Two land riding seals</p> <p><b>BCA</b></p> <p>T : TT(2)..One seal : Two seals</p> <p>R .....Relubricatable</p> <p>S : SS....One shield : Two shields</p> <p><b>NTN</b></p> <p>L : LL.....One seal : Two seals</p> <p>D1.....Relubricatable</p>

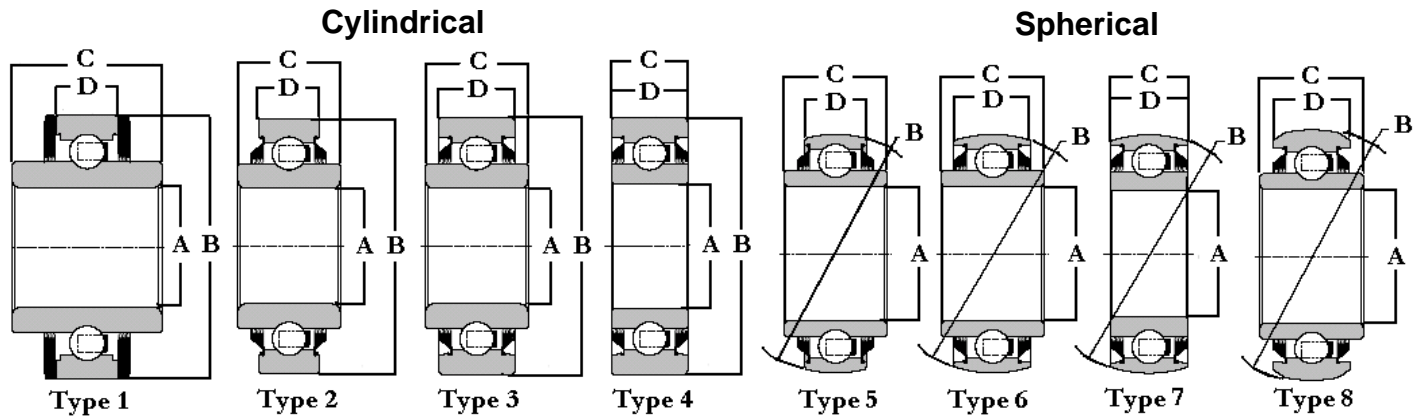




# Disc Harrow Bearings

## Introduction

### Identifying the Differences Between Disc Harrow Bearings

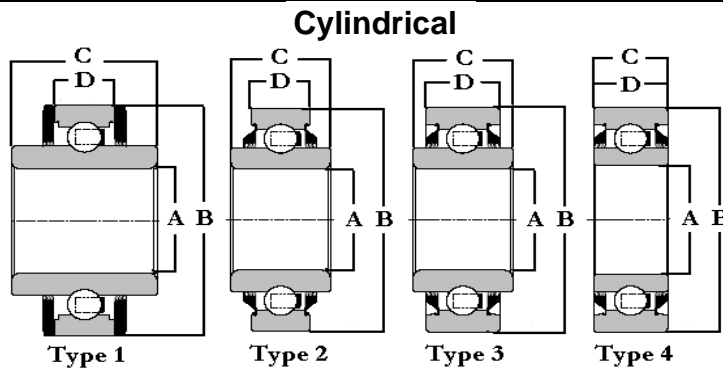


A Cylindrical ball bearing is categorized by Types 1 through 4. These types vary depending on the measurements of the outer race and inner race. A Cylindrical bearing is designed with a flat outer race that restricts misalignment from the shaft and housing.

A Spherical ball bearing is categorized by Types 5 through 8. These types vary depending on the measurements of the outer race and inner race. A Spherical bearing is designed with a rounded outer race that compensates for shaft and housing misalignment.

The All Makes Interchange (pages 105-111) and Cross Reference (pages 112-113) Bonus Sections identify other applications that can use the same AGCO bearing.

### Understanding the Bearing Page Layout



Cylindrical : Prelube											
AGCO Part No.	Manufacturer Part No.	A Interior Diameter		B Outside Diameter		C Inner Race Width		D Outer Race Width		Bore	Type
		(in)	(mm)	(in)	(mm)	(in)	(mm)	(in)	(mm)	hx	
842696M1	205KRR2	0.876	22.25	2.047	52.00	1.000	25.40	0.591	15.00	hx	2

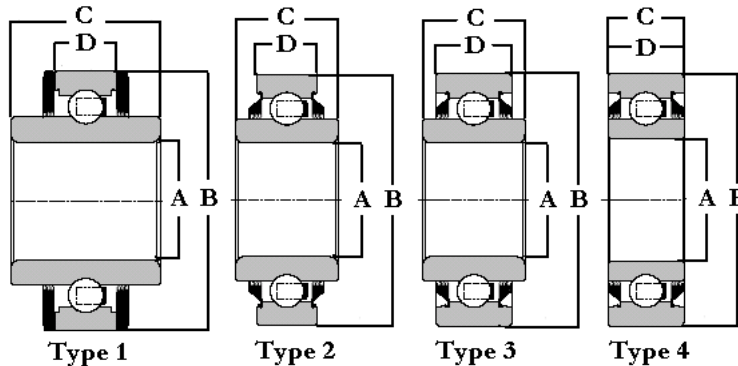
The Illustrations at the beginning of each disc harrow bearing section are used to help identify a bearing in the absence of the Manufacturer's Part Number. The column headings include: (A) Interior Diameter, (B) Outside Diameter, (C) Inner Race Width, (D) Outer Race Width, Bore and Type.



# Disc Harrow Bearings

## Listed In Ascending Order by Interior Diameter

### Cylindrical



AGCO offers a wide range of bearings from a number of manufacturers. These Manufacturer Part Numbers are listed for reference only. The part number will not guarantee a specific manufacturer.

Cylindrical - Prelube											
AGCO Part No.	Manufacturer Part No.	A		B		C		D		Bore	Type
		Interior Diameter (in)	Interior Diameter (mm)	Outside Diameter (in)	Outside Diameter (mm)	Inner Race Width (in)	Inner Race Width (mm)	Outer Race Width (in)	Outer Race Width (mm)		
1067542M1	DC205TTB	0.750	19.05	2.047	52.00	1.375	34.93	0.591	15.00	rd	2
842696M1	205KRR2	0.876	22.25	2.047	52.00	1.000	25.40	0.591	15.00	hx	2
842697M1	206KRR6	1.000	25.40	2.441	62.00	0.945	24.00	0.630	16.00	hx	2
1905669M1	W208PP8	1.125	28.58	3.150	80.00	1.438	36.51	1.188	30.18	sq	3
20-7002934	W208PP10	1.500	38.10	3.150	80.00	1.683	42.75	0.827	21.01	rd	2
1905665M1	W208PP5	1.500	38.10	3.150	80.00	1.420	36.07	0.708	17.98	rd	2
1905678M1	7AS11-1.1/2V1	1.500	38.10	3.940	100.00	1.313	33.34	1.310	33.27	sq	4
70406677	SBX1184LLSQ1	1.500	38.10	4.000	101.60	1.750	44.45	1.438	36.53	sq	3
Cylindrical - Relube											
1905672M1	GW208PP17	1.125	28.58	3.375	85.73	1.438	36.53	1.188	30.18	sq	3
1905677M1	GW210PP4	1.125	28.58	3.540	89.92	1.210	30.73	1.190	30.23	sq	4
70596130	GW209PP5	1.250	31.75	3.340	84.84	1.440	36.58	1.190	30.23	sq	1
EP5403	DC211TTR4	1.500	38.10	3.937	100.00	1.750	44.45	1.312	33.32	sq	3
3634465M1	GW211PP17	1.500	38.10	3.937	100.00	1.312	33.32	1.312	33.32	sq	3
70594491	7AS11-1.1/2D1V2	1.500	38.10	3.937	100.00	1.312	33.32	1.312	33.32	sq	4
1905679M1	GW211PP3	1.500	38.10	3.937	100.00	1.312	33.32	1.312	33.32	sq	4
SN5956	DC 211 TTR25N / 2A	1.750	44.45	3.937	100.00	1.312	33.32	1.312	33.32	rd	3
SN3091	GW211PP25-GX	1.750	44.45	3.937	100.00	1.750	44.45	1.313	33.34	rd	4

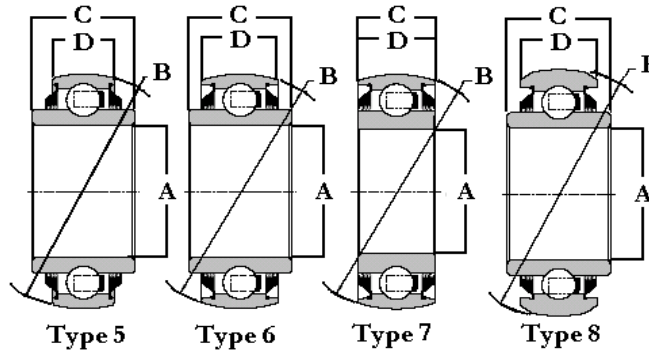




# Disc Harrow Bearings

## Listed In Ascending Order by Interior Diameter

### Spherical



AGCO offers a wide range of bearings from a number of manufacturers. These Manufacturer Part Numbers are listed for reference only. The part number will not guarantee a specific manufacturer.

Spherical - Prelube											
AGCO Part No.	Manufacturer Part No.	A		B		C		D		Bore	Type
		Interior Diameter (in)	Interior Diameter (mm)	Outside Diameter (in)	Outside Diameter (mm)	Inner Race Width (in)	Inner Race Width (mm)	Outer Race Width (in)	Outer Race Width (mm)		
552-204	DS208TT13	0.876	22.25	3.150	80.00	1.438	36.51	0.709	18.00	sq	5
1905671M1	W208PPB11	0.876	22.25	3.438	87.33	1.189	30.20	1.437	36.50	sq	8
833045M1	205KRRB2	0.876	22.25	2.847	72.31	1.000	25.40	0.591	15.00	hx	6
W221184B	DS208TT14	0.880	22.35	3.438	87.33	1.438	36.51	1.188	30.18	rd	8
1905685M1	205PPB7	0.938	23.81	2.047	52.00	1.378	35.00	0.591	15.01	rd	7
842704M1	HPS100GPN	1.000	25.40	2.441	62.00	0.945	24.00	0.876	22.25	hx	5
834367M1	W208PPB6	1.000	25.40	3.150	80.00	1.438	36.53	0.709	18.00	sq	5
1R41009	DS208TT5	1.125	28.58	3.150	80.00	1.438	36.53	0.709	18.00	sq	5
447899M1	DS208TT12B	1.125	28.58	3.443	87.45	1.438	36.53	1.188	30.18	sq	8
843638M1	W208PPB5 D5	1.125	28.58	3.347	85.00	1.438	36.53	0.709	18.00	sq	5
SN24A-5301	W208PPB5	1.125	28.58	3.150	80.00	1.438	36.53	0.709	18.00	sq	5
W237092B	1AC08-1.3/16C3	1.187	30.15	3.150	80.00	1.183	30.04	0.709	18.00	rd	5
70575883	W208PPB16	1.250	31.75	3.150	80.00	1.438	36.51	0.709	18.00	hx	5
842303M1	SBX09A47LLSC3/8AQ1	1.250	31.80	3.347	85.00	1.438	36.51	1.188	30.18	sq	6
1905664M1	W208PPB2	1.500	38.10	3.150	80.00	1.688	42.88	0.709	18.01	rd	5
832634M3	W208PPB23	1.500	38.10	3.150	80.00	1.688	42.86	1.188	30.16	rd	6
1905680M1	W211PPB6	1.500	38.10	4.125	104.78	1.750	44.45	1.437	36.50	sq	8
34-0103	DS209TT4	1.525	38.74	3.347	85.00	1.188	30.16	1.188	30.16	rd	7
1905673M1	W209PPB4	1.525	38.74	3.347	85.00	1.188	30.16	1.188	30.16	rd	7
31-0072	W209PPB2	1.771	45.00	3.347	85.00	1.188	30.16	1.188	30.16	rd	7
835050M4	DS209TT2	1.771	45.00	3.347	85.00	1.188	30.16	1.188	30.16	rd	7
831960M3	W210PPB2	1.938	49.21	3.543	90.00	1.188	30.16	1.188	30.16	rd	7
1905676M1	7AC10-1.15/16D1V1	1.938	49.21	3.543	90.00	1.188	30.16	1.188	30.16	rd	4
70430480	DS211TT2	2.187	55.56	3.937	100.00	1.313	33.33	1.313	33.33	rd	7
Spherical - Relube											
W20H5836	DS208TTR6	1.000	25.40	3.150	80.00	1.438	36.51	0.945	24.00	sq	6
1905667M1	GW208PPB5	1.125	28.58	3.150	80.00	1.438	36.53	0.827	21.01	sq	6
W238481B	2AS08-1.1/8D1V1	1.125	28.58	3.150	80.00	1.437	36.50	1.189	30.20	sq	6



# Disc Harrow Bearings

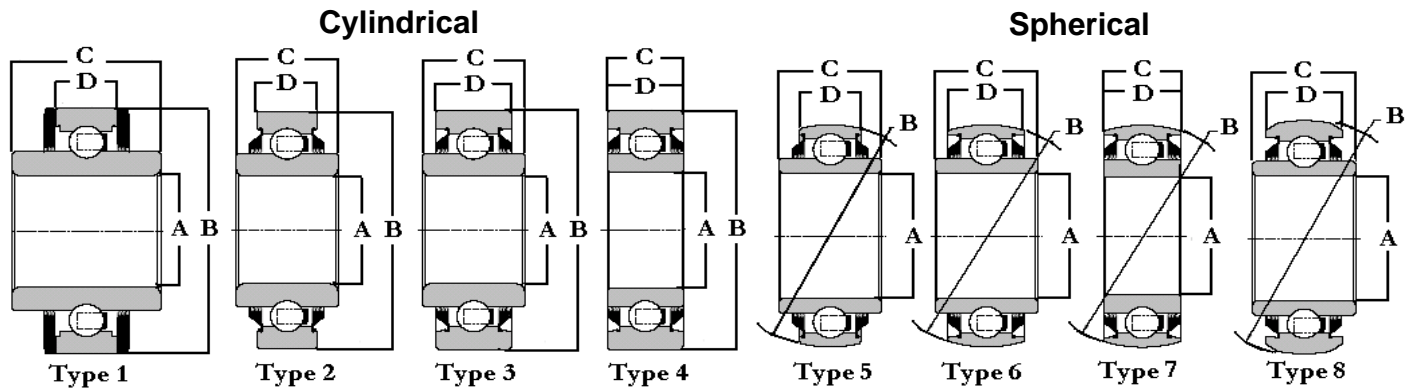
## Listed In Ascending Order by Interior Diameter

Spherical - Relube (cont.)											
AGCO Part No.	Manufacturer Part No.	A		B		C		D		Bore	Type
		Interior Diameter (in)	(mm)	Outside Diameter (in)	(mm)	Inner Race Width (in)	(mm)	Outer Race Width (in)	(mm)		
70586143	GW208PPB29	1.250	31.75	3.140	79.76	1.430	36.32	1.180	29.97	hx	5
70589573	GW209PPB5	1.250	31.75	3.347	85.00	1.438	36.53	1.188	30.18	sq	6
1905675M1	GW209PPB8	1.250	31.75	3.347	85.00	1.438	36.51	0.866	22.00	sq	5
3643382M1	DS211TT23	1.500	38.10	3.937	100.00	1.750	44.45	1.312	33.32	sq	7
70583939	3AS11-1.1/2D1V3	1.500	38.10	3.937	100.00	1.311	33.30	1.311	33.30	sq	7
832540M1	3AS11-1.1/2CN	1.500	38.10	3.937	100.00	1.311	33.30	1.311	33.30	sq	7
EP6576	GW209PPB4	1.525	39.00	3.347	85.00	1.188	30.16	1.188	30.16	rd	7
SN1829	GW209PPB4	1.525	39.00	3.347	85.00	1.188	30.16	1.188	30.16	rd	7
1905682M1	GW209PPB2	1.772	45.00	3.347	85.00	1.188	30.16	1.188	30.16	rd	7
SN2042	SBX1181LLSQ1	1.775	45.09	3.937	100.00	1.312	33.32	0.984	25.00	rd	7
8050056	GW209PPB11 PRB	1.781	45.24	3.347	85.00	1.438	36.51	0.866	22.00	rd	5
E10771	3AC10-1.15/16D1V1	1.938	49.21	3.543	90.00	1.188	30.16	1.188	30.16	rd	7
1905683M1	GW211PPB2	2.188	55.58	3.937	100.00	1.312	33.32	1.310	33.27	rd	7
1064283M1	GW211PPB8	2.188	55.58	3.937	100.00	1.312	33.32	0.984	25.00	rd	5
1905681M1	GW211PPB9	2.188	55.58	3.937	100.00	1.563	39.69	0.984	25.00	rd	5
Flanged Disc Units - Relube											
W238799B	DHU1 1/8 S209	1.125	28.58	5.000	127.00	1.688	42.88	1.672	42.47	sq	Flange
SNYYB3471	DHU1 1/8 S209	1.125	28.58	5.000	127.00	1.688	42.88	1.672	42.47	sq	Flange
3643338M1	81119700	1.125	28.58	5.000	127.00	1.688	42.88	1.672	42.47	sq	Flange
SNFK311007	FD2091-1/4 SQ	1.250	31.75	5.000	127.00	1.688	42.88	1.672	42.47	sq	Flange
700700613	DHU1-1/2R209	1.500	38.10	5.000	127.00	1.688	42.88	1.672	42.47	rd	Flange
W238813B	FD209TTREN/3A	1.500	38.86	5.000	127.00	1.688	42.88	1.672	42.47	rd	Flange
SN3215	FD209TTRJN/3AS	1.750	44.45	5.000	127.00	1.750	44.45	1.672	42.47	rd	Flange
1905686M1	ST491A	1.750	44.45	5.000	127.00	1.750	44.45	1.672	42.47	rd	Flange



# Disc Harrow Bearings

## All-Makes Interchange



All-Makes Interchange					
Manufacturer	AGCO Part No.	Interior Diameter	Type	Application	OEM Part No.
Allis-Chalmers™	70330133	1 rd	-	Bearing Asy. 2000 / 2200 Series Discs	
	70347918	1 hex	-	Disc Gang Asy: 2100, 2200HD, 2300, 2600, 3000 Series	
	70594491	1-1/2 sq	4	Bearing Insert for Disc Gang Cushion Asy: 2100, 2200HD, 2300, 2600, 3000 Series (Asy. 70597127)	70594491
	70586143	1-1/2 sq	5	2100, 2200HD, 2300, 2600, 3000 Series	
	70575883	1-1/2 sq	5	(Use Sleeve 70576424) 2100, 2200HD, 2300, 2600, 3000 Series	
Amco	1905667M1	1-1/8 sq	6	Disc Harrow	G10272
	W238481B	1-1/8 sq	6	13-1/2 Pulverising Disc	G10333
	1905677M1	1-1/8 sq	4	Disc Harrow	G10446
	1905677M1	1-1/8 sq	4	RB1, 2, 3, 4, 5, 6, WOD2, 341, 342, 343, 344, Disc Harrow	G11078
	1905679M1	1-1/2 sq	4	WOF3, WOF5, WOF6, WOJ3, WOJ4,	G11071
	EP5403	1-1/2 sq	3	Offset Disc	11503
	70583939	1-1/2 sq	7	Disc Harrow	G10906
	843638M1	1-1/8 sq	5	WTD5, WTD6, LFD2, LFDB2 Disc	10272
	834367M1	1 sq	5	LFBD2, LFB2, LTB2	11079
	1905676M1	1-15/16 rd	4	Disc Harrow	11052
1905678M1	1-1/2 sq	4	513, 517, 518, F15 Disc Harrow	11071	
Athens	1905667M1	1-1/8 sq	6		
	1905679M1	1-1/2 sq	4	Disc Harrow	
	70583939	1-1/2 sq	7	Disc Harrow, New Ground Disc	
	1905665M1	1-1/8 sq	2	Ridger	
	843638M1	1-1/8 sq	5	Ridger	
	834367M1	1 sq	5		
	1905678M1	1-1/2 sq	4	Levee Plow, 1st Series	
1905680M1	1-1/2 sq	8	Levee Plow, 2nd Series		
Badger	70406677	1-1/2 sq	3		8548104
Bingham	1905665M1	1-1/8 sq	2	Bedder	GA15



# Disc Harrow Bearings

## All-Makes Interchange



All-Makes Interchange (cont.)					
Manufacturer	AGCO Part No.	Interior Diameter	Type	Application	OEM Part No.
Blanton	1905665M1	1-1/8 sq	2	Disc Harrow	7129
	1905669M1	1-1/8 sq	3		BC1
	1905671M1	7/8 sq	8	Square Axle Disc	L512B
	447899M1	1-1/8 sq	8	Square Axle Disc	1023
Brillion	1905669M1	1-1/8 sq	3		9C16
	843638M1	1-1/8 sq	5		2J516
	832540M1	1-1/2 sq	7		3J131
Burch	70583939	1-1/2 sq	7	Offset Disc, Super Tandem	78672A
	1905665M1	1-1/8 sq	2	Ridger, 8 Row	9554A
	552-204	7/8 sq	5	Harrow	201A56
	843638M1	1-1/8 sq	5	Ridger, E-Z Set, E-2GO, Early	J9373
	831960M3	1-15/16 rd	7	EZ, EZ-A, EZ-B, 145 Disc Kwik Set, Hipper/Ridger	
	832540M1	1-1/2 sq	7	Offset Disc	203214
	1905680M1	1-1/2 sq	8	Super Tandem 1973-up	204-82
Bush Hog	1905672M1	1-1/8 sq	3	1422, 1423, 1424, 1426, 1432, 1436, 1438, 1439, 1444, w/1-1/8" Gang Bolt	14-36-183
	1905679M1	1-1/2 sq	4	145, 146, 246, 1435, 1437 w/1-1/2" Gang Bolt	1114-6-430
	1905665M1	1-1/8 sq	2	Bedder & Ridger	16-11-176
	447899M1	1-1/8 sq	8	Disc Harrow	14-24-26
	1905664M1	1-1/2 rd	5		1100082475
	834367M1	1 sq	5		14-22-63
	31-0072	1.771 rd	7	1432, 1436 Disc	14-4-5
	831960M3	1-15/16 rd	7	145	14-5-109
70430480	2-3/16 rd	7	Disc Harrow	14-6-168	
Caldwell	843638M1	1-1/8 sq	5	1-1/8 Axle Models	
Calkins	70589573	1-1/4 sq	6		5449031
Case IH	1905679M1	1-1/2 sq	4	E30, G109, G110, G119, K23, K23A, Disc Harrow	T51653
	EP5403	1-1/2 sq	3	K23B Disc Harrow	T56688
	1905683M1	2-3/16 rd	7		57559
	70583939	1-1/2 sq	7	K23, K23A, G59 Disc (Special O.D.)	T51610
	20-7002934	1-1/2 rd	2		H747303
	1905665M1	1-1/8 sq	2		H747139
	447899M1	1-1/8 sq	8	Disc Harrow	T28503
	843638M1	1-1/8 sq	5		T16288
	834367M1	1 sq	5	Small Ridger	T15820
	31-0072	1.771 rd	7		H747410
	1905678M1	1-1/2 sq	4		H747444
SN3215	1-3/4 rd	-	Replaces the ST491A Flange Assembly	ST491A	



# Disc Harrow Bearings

## All-Makes Interchange



All-Makes Interchange (cont.)					
Manufacturer	AGCO Part No.	Interior Diameter	Type	Application	OEM Part No.
Chas Machine	1905665M1	1-1/8 sq	2	Trencher	
Chatanooga	843638M1	1-1/8 sq	5		
	1905680M1	1-1/2 sq	8	Levi, Levi-Dyke Plow	
Crust Buster	1064283M1	2.188 rd	5		
Deutz-Allis	70583939	1-1/2 sq	7	2100, 2200HD, 2300, 2600, 3000 Series	70583939
	1905678M1	1-1/2 sq	4	K7 Disc	
	70406677	1-1/2 sq	3	3100, XK, WK, L, K, KT, WKT Disc	406677
DMI	EP6576	1.535 rd	7		21842400
Domries	1905676M1	1-15/16 rd	4	1-1/8 Axle Series	K85
	1905678M1	1-1/2 sq	4	1-1/2 Axle Series	
Dunham	447899M1	1-1/8 sq	8	Disc Harrow	
	843638M1	1-1/8 sq	5		GK260
Eversman	447899M1	1-1/8 sq	8		266740
	843638M1	1-1/8 sq	5		261750
Farmhand®	W238813B	1-1/2 rd	Flange	6000 Series Unimulcher	1A64318
	EP6576	1.535 rd	7	552A	EP6576
	EP5403	1-1/2 sq	3	6000 Series Unimulcher	EP5403
	1R41009	1-1/8 sq	5	Disc Harrow	1R41009
	31-0072	1.77 rd	7	Disc Harrow	310072
	34-0103	1.525	7	34 Wing Disc	
	1905673M1	1-1/2 rd	7	Disc Harrow	340103
FMC	20-7002934	1-1/2 rd	2		15148
	1905664M1	1-1/2 rd	5	Disc Harrow	15617
	842303M1	1-1/4 sq	6	Harvester	126-068
Ford	W238481B	1-1/8 sq	6	241, 242, 243, 246 Disc Harrow	SBP238481B
	1905682M1	1-3/4 rd	7	230, 201, 202, E, J, L Disc Harrow	7200460
	31-0072	1.771 rd	7	204, 210, 224, 230 Disc	113903
	1905676M1	1-15/16 rd	4		177849
	1905678M1	1-1/2 sq	4	219, 223 Cutting Disc	MULCBB112
	832540M1	1-1/2 sq	7	236 Cutting Disc	MULCB112SG
	W221184B	7/8 sq	8	Breaking Plow Coulter	201824
Forest City	1905665M1	1-1/8 sq	2	Ridger	



# Disc Harrow Bearings

## All-Makes Interchange



All-Makes Interchange (cont.)					
Manufacturer	AGCO Part No.	Interior Diameter	Type	Application	OEM Part No.
<b>G &amp; M</b>	831960M3	1-15/16 rd	7	3 pt. Vinyard Disc	
<b>Gehl</b>	1064283M1	2.188 rd	5		072056
<b>Glencoe®</b>	3634465M1	1-1/2 sq	3	OD650, TD580	
	1905673M1	1.535 rd	7	Soil Saver® and Series III	
	W238799B	1-1/8 sq	Flange	TD350, TD351	
	W238481B	1-1/8 sq	6	TD580, TD590	
	EP6576	1.535 rd	7	Soil Saver®, 8400 Yield Builder®, Soil Finisher®	
<b>Greenline</b>	1905679M1	1-1/2 sq	4	Disc Harrow	
<b>Hardee</b>	447899M1	1-1/8 sq	8	Disc Harrow	
<b>Hesston®</b>	700700613	1-1/2 rd	Flange	2540 Cutter Chisel	700612
<b>Hester</b>	1905665M1	1-1/8 sq	2	Disc Harrow	
<b>IMCO</b>	447899M1	1-1/8 sq	8	Wheel Disc	
<b>John Deere</b>	70583939	1-3/4 rd	7		AN240221
	1905667M1	1-1/8 sq	6	100, 110 Disc	A20175
	8050056	1-3/4 rd	5	210, 220, 230 Disc	A20649
	EP6576	1.535 rd	7		AN240220
	1905681M1	2-3/16 rd	5	310, 315, 330, 331, 335, 340, 350, 355, 360 Disc	B34215
	1905665M1	1-1/8 sq	2	F871, F901, F984, F981 F982 Bedder	JD9350
	1905669M1	1-1/8 sq	3	23, 2FK, F871, F901, F902, F984, Bedders	AA14878
	1905664M1	1-1/12 rd	5		AW20540
	843638M1	1-1/8 sq	5	8500, F810H, F850H	JD9248
842303M1	1-1/4 sq	6	9000 Drill, 4400 Combine	JD8664	
<b>Kewanee</b>	1905672M1	1-1/8 sq	3		G1436183
	W238481B	1-1/8 sq	6	100, 170, 400, 500, 600 Disc	B2151
	1905682M1	1-3/4 rd	7	209, 218 Disc	B7778
	1905679M1	1-1/2 sq	4		G1046430
	20-7002934	1-1/2 rd	2	Disc Harrow	B3625
	1905665M1	1-1/8 sq	2		B8018
	843638M1	1-1/8 sq	5	206, 400 Disc	B7980
	1905678M1	1-1/2 sq	4	Disc Harrow	B2055
<b>Kelly</b>	EP6576	1.535 rd	7		05A51001
	1905665M1	1-1/8 sq	5		06A51001
	1905665M1	1-1/8 sq	2	Coulter	06A51-001
<b>Kent</b>	700700613	1-1/2 rd	Flange	Disc Harrow	FC0481



# Disc Harrow Bearings

## All-Makes Interchange



All-Makes Interchange (cont.)					
Manufacturer	AGCO Part No.	Interior Diameter	Type	Application	OEM Part No.
King Plow	1905671M1	7/8 sq	8	CFB Disc Harrow	BB-2
	447899M1	1-1/8 sq	8	KGB, WGH, EZB, MFB, Disc Harrow	BB-2N
Krause	700700613	1-1/2 rd	Flange	1590, 1577A-1592A, 1900-1928, 1952-1979, 2100-2166, 2190-2196, 2200-2244, 3948-3957, 3990-3994, 4900-4945, 4900A-4927A, 4950-4994	40-109
	EP6576	1.535 rd	7	900-908, 952-969, 1144-1156, 1401-1428	612-10-2
	1064283M1	2.188 rd	5		2010-452
	W237092B	1-3/16 rd	5	405-408 Series	P-212-10-2
	1905673M1	1.535 rd	7	408A-412, 610-629, 636-641, 900-908, 952-969, 1144-1156, 1401-1428, 1900-1928, 1952-1979, 2135-2166	40-104
Landoll	700700613	1-1/2 rd	Flange	Disc Ripper	1065010011
	EP6576	1.535 rd	7		1065010003
Lilliston	1905675M1	1-1/4 sq	5		40-61-005
	447899M1	1-1/8 sq	8		37-61-001
Lockwood	20-7002934	1-1/2 rd	2		202112
Long	70583939	1-1/2 sq	7		9-92088
	1905671M1	7/8 sq	8	953, 956 Disc	9-90093
	447899M1	1-1/8 sq	5	958, 959 Disc	9-90092
	1905680M1	1-1/2 sq	8	958, 959, 960, 1090, Disc Harrow	9-90241
Massey Ferguson®	70589573	1-1/4 sq	6	520, 620, 820 Disc Harrow	842323M1
	70583939	1-1/2 sq	7	30, 40, 520, 620, 720 Disc Harrow	449432M1
	447899M1	1-1/8 sq	8	34MTD & 33 Rev Disc	
	1905664M1	1-1/2 rd	5	36, 52, 72 Disc Harrow	
	843638M1	1-1/8 sq	5	120, 220 Mounted Disc Harrow	
	834367M1	1 sq	5	21, 320 Disc Harrow	
	835050M4	1.771 rd	7	28, 33, 34 39 68 Disc Harrow	
	842303M1	1-1/4 sq	6	520, 620, 820 Disc Harrow	
	831960M3	1-15/16 rd	7	27 Flex Disc	
	1905678M1	1-1/2 sq	4	Disc Harrow	
	831960M3	2-3/16 rd	7	27 Flex Disc	
832540M1	1-1/2 sq	7	30, 38, 40, 41, 42, 520, 620, 720, 820, 730 Disc Harrow		
McClesky	447899M1	1-1/8 sq	8	F228, L150 Harrow	
Melroe	834367M1	1 sq	5		6519831
	1905678M1	1-1/2 sq	4		6510628
	70430480	2-3/16 rd	7		6517957
Midland	1905675M1	1-1/4 sq	5	Disc	15620



# Disc Harrow Bearings

## All-Makes Interchange



All-Makes Interchange (cont.)					
Manufacturer	AGCO Part No.	Interior Diameter	Type	Application	OEM Part No.
Minneapolis-Moline®	W20H5836	1 sq	6	KA Disc Harrow	20H5836
	1905665M1	1-1/8 sq	2	Hipper, Ridger	
	31-0072	1.771 rd	7	Disc Harrow	20H2152
Multi-Purpose	1905665M1	1-1/8 sq	2	Ridger	
	1905671M1	7/8 sq	5		42424
New Holland	W238481B	1-1/8 sq	6		SPB238481B
	1905682M1	1-3/4 rd	7		276882
	552-204	7/8 sq	5		NDAS4508FF
	843638M1	1-1/8 sq	5		NDAS4508BJ
Oliver®	W20H5836	1-1/8 sq	6	263 Disc	238481B
	W237092B	1-3/16 rd	5	241, 352, 250 Series Wheel Disc Harrow	237092B
Pico	843638M1	1-1/8 sq	5	LO, 175, 185, 200, 206, 250, 300, LT400, 720	744-P
	832540M1	1-1/2 sq	7	HD Levee Plow, WO Series Disc Harrow	4404-P
Piper	1905665M1	1-1/8 sq	2	Disc Harrow & Ridger	
	842303M1	1-1/4 sq	6	Do-all	
Rome	447899M1	1-1/8 sq	8	7-1/2 Disc Harrow	
Shaffer	31-0072	1.771 rd	7	Disc Harrow	
	831960M3	1-15/16 rd	7	Disc Harrow	
Strathmore	447899M1	1-1/8 sq	8	Disc Harrow, 13" Pulverizing Disc	
	1905676M1	1-15/16 rd	4		3055
	831960M3	1-15/16 rd	7		3056
Sunflower®	SNFK311007	1-1/4 sq	Flange	Disc Harrow	FK311007
	SNYYB3471	1-1/8 sq	Flange	3060, 3070 Fallow King; 4212, 4232 Trash Mulcher; 2433 Chisel; 3372, 3392, 3672, 3612 Blade Plow; 1234 Disc	YYB3471
	SN1829	1.535 rd	7		1829
	SN5956	1-3/4 rd	3	Disc Harrow	5956
	SN2042	1-3/4 rd	7	Disc Harrow	2042
	SN24A-5301	1-1/8 sq	1		24A5301
	W237092B	1-3/16 rd	5		1186
	SN3215	1-3/4 rd	-	Land Finisher, Field Cultivator	3215
	SN2906	2-1/4 rd	5		2906
	SN3090	1-3/4 rd	-	Trunnion Bearing Complete Assembly; Disc Harrows; Trash Mulchers; Disc Ripper; Disc Chisel; Soil Conditioner	3090
SN3091	1-3/4 rd	4	Trunnion Bearing Insert; Disc Harrows; Trash Mulchers; Disc Ripper; Disc Chisel; Soil Conditioner	3091	





# Disc Harrow Bearings

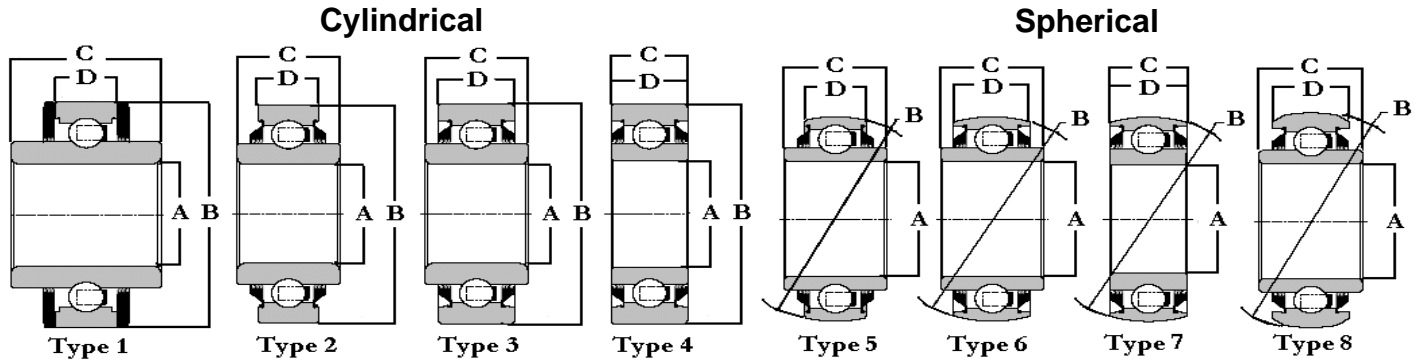
## All-Makes Interchange



All-Makes Interchange (cont.)					
Manufacturer	AGCO Part No.	Interior Diameter	Type	Application	OEM Part No.
Taylor	W238481B	1-1/8 sq	6	200000, Series Disc	207359
	70589573	1-1/4 sq	6	Disc Harrow	
	1064283M1	1-1/2 sq	7	Disc Harrow, Heavy Duty	207022
	1905665M1	1-1/8 sq	5		606973
	1905671M1	7/8 sq	8	Disc Harrow	206090
	447899M1	1-1/8 sq	8	Disc Harrow Light Duty, 12-1/2, 19, 21	204147
	552-204	7/8 sq	5		34392
	1905680M1	1-1/2 sq	8	Disc Harrow, Extra Heavy Duty	204679
Towner	1905665M1	1-1/8 sq	2	100, 101 Ridger	7992
	447899M1	1-1/8 sq	8	101 Ridger, 420, 425 Disc	15013
	1905680M1	1-1/2 sq	8	510, 515, 577, 532, 534, 535, 560, 600, 620, 621, 630 Disc Harrow	18300
Tufline	1905671M1	7/8 sq	8	Disc Harrow w/ 7/8 Gang Bolt	T603
	447899M1	1-1/8 sq	8	Disc Harrow 1-1/8	T602
	843638M1	1-1/8 sq	5	Disc Harrow, 1-1/8 Gang Bolt	T60
Unverferth	700700613	1-1/2 rd	Flange	Disc Harrow	91134
	31-0072	1.771 rd	7	Disc Harrow	7044
W & A Mfg	1905672M1	1-1/8 sq	3		481217
	1905679M1	1-1/2 sq	4		481213
	1905665M1	1-1/8 sq	2	Ridger & Does More	481202
White™	W238813B	1-1/2 rd	Flange	273, 274 Disc Harrow	W238813
	W238799B	1-1/8 sq	Flange	271, 272 Disc Harrow	238799B
	W238481B	1-1/8 sq	6	254, 255, 256, 263, 264, 271, 272 Disc Harrow	W238481B
	70583939	1-1/2 sq	7	265, 281 Disc Harrow	237909B
	W237092B	1-3/16 rd	5	251, 252, 253 Disc Harrow	237092B
	W221184B	7/8 sq	8	324 Mounted Plow	221184B
Wil-Rich	1905672M1	1-1/8 sq	3		24677
	1905683M1	2-3/16 rd	7	Disc Harrow	24022
	1905673M1	1.535 rd	7		34002



# Disc Harrow Bearings Cross Reference



AGCO offers a wide range of bearings from a number of manufacturers. These Manufacturer Part Numbers are listed for reference only. The part number will not guarantee a specific manufacturer.

Cylindrical - Prelube							
Interior Diameter	AGCO	NTN : BCA	Timken	Federal Mogul	Link-Belt	NDH	Bore
0.751	1067542M1	205TTB	205PP9FS576				rd
0.876	842696M1	HPC014GP	205KRR2C1				hx
1.000	842697M1	1AH06-1	206KRR6				hx
1.125	1905669M1	DC208TT8	W208PP8	T208S1	W208PP8	AS4508BD	sq
1.500	1905665M1		W208PP5	TN208S1	W208PP5	AS4508BH	rd
1.500	20-7002934		W208PP10				rd
1.500	1905678M1	7AS11-1.1/2V1	W211PP3	TW211S4	W211PP3	AS4511BD	sq
1.500	70406677	SBX1184LLSQ1	W211PP5	T211S4A		AS4511AE	sq
Cylindrical - Relube							
1.125	1905677M1	DC210TTR4	GW210PP4		GW210PP4	RAS4510B	sq
1.250	70596130	DC209TT5	GW209PP5				sq
1.500	3634465M1		GW211PP17				sq
1.500	70594491	7AS11-1.1/2D1V2	GW211PP3C5				sq
1.500	1905679M1	DC211TTR3	GW211PP3		GW211PP3	RAS4511BD	sq
1.750	SN3091		GW211PP37				rd
Spherical - Prelube							
0.875	1905671M1	W208PPB11	W208PPB11		W208PPB11		sq
0.878	833045M1	HPS014GPN	205KRRB2				hx
0.880	W221184B	DS208TT14					rd
1.000	842704M1	HPS100GPN	206KRRB6				hx
1.000	834367M1	DS208TT6	W208PPB6C4				sq
1.125	447899M1	DS208TT12B	W208PPB12		W208PPB12		sq
1.125	843638M1	1AS08-1.1/8C3	W208PPB5C5				sq
1.189	W237092B	1AC08-1.3/16C3	W208PPB7	TN208A	W208PPB7		rd
1.250	70575883		W208PPB16				hx
1.250	842303M1	SBX09A47LLSC3/8AQ1	W209PPB5		W209PPB5		sq
1.500	832634M3	DS208TT2A	W208PPB23	TS208H	W208PPB23		rd
1.500	1905664M1	W208PPB2	W208PPB2				rd
1.500	1905680M1	DS11TT6	W211PPB6	TSC211S4A		AS4511AC	sq



# Disc Harrow Bearings Cross Reference

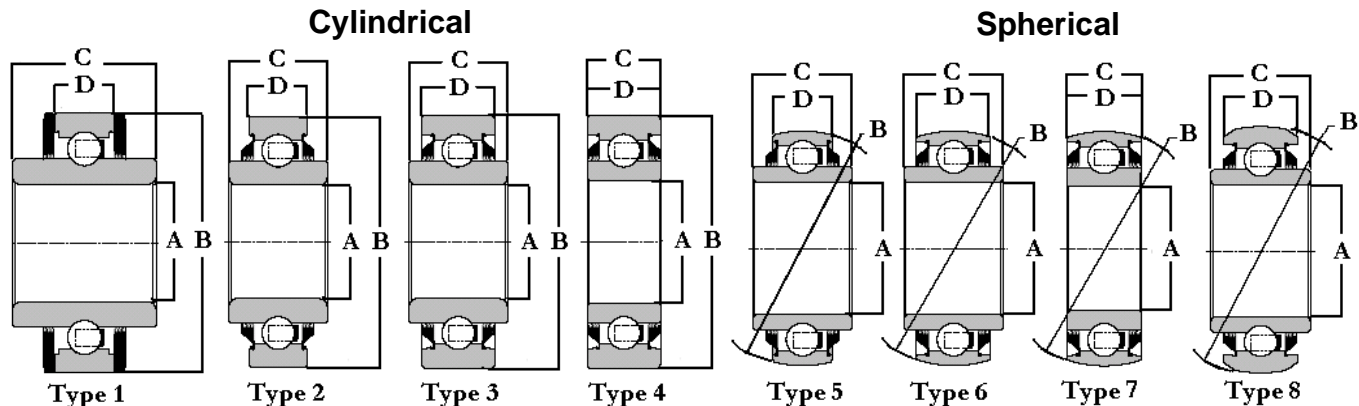


Spherical - Prelube (cont.)							
I.D.	AGCO	NTN : BCA	Timken	Federal Mogul	Link-Belt	NDH	Bore
1.525	1905673M1	DS209TT4	W209PPB4	TWS209A	W209PPB4	AS4509BD	rd
1.772	835050M4	DS209TT2	W209PPB2C3				rd
1.772	31-0072	DS209TT2	W209PPB2	TWS209	W209PPB2	AS4509BE	rd
1.772	1905682M1		GW209PPB2		GW209PPB2	RAS4509BE	rd
1.938	831960M3	W210PPB2 C4	W210PPB2	TWS210B	W210PPB2		rd
1.938	1905676M1	7AC10-1.15/16D1V1	W210PP2				rd
Spherical - Relube							
1.000	W20H5836	DS208TTR6	GW208PPB6		GW208PPB6	RAS4508AE	sq
1.125	1905667M1	DS208TTR5	GW208PPB5	TNS208S1R	GW208PPB5	RAS4508J	sq
1.125	1905672M1		GW208PP17				sq
1.125	W238481B	2AS08-1.1/8D1V1	GW208PPB8	TS208S1R	GW208PPB8	RAS4508EF	sq
1.250	70586143	HPS104TRBN	GW208PPB29				hx
1.250	70589573	GW209PPB5	GW209PPB5		GW209PPB5		sq
1.250	1905675M1		GW209PPB8		GW209PPB8		sq
1.500	3643382M1		GW211PPB23				sq
1.500	70583939	3AS11-1.1/2D1V3	GW211PPB3	TWS211S4R	GW211PPB3	RAS4511BE	sq
1.500	832540M1	3AS11-1.1/2CN	GW211PPB3	TWS211S4R	GW211PPB3	RAS4511BE	sq
1.525	EP6576	DS209TTR4	GW209PPB4	TWS209AR	GW209PPB4RA	S4509BD	rd
1.525	SN1829	DS209TTR4	GW209PPB4	TWS209AR	GW209PPB4RA	S4509BD	rd
1.781	8050056	DS209TTR10	GW209PPB11				rd
1.785	SN2042	SBX1181LLSQ1	GW211PPB13				rd
2.180	1905683M1	DS211TTR2	GW211PPB2		GW211PPB2		rd
2.200	1905681M1	DS211TTR9	GW211PPB9				rd
Flanged Disc Units - Relube							
1.500	W238813B	FD209TTREN/3A	DHU1-1/2R209				rd
1.500	700700613	FD209TTREN/3A	DHU1-1/2R209				rd
1.750	SN3215	FD209TTRJN/3AS	DHU 491 A				rd
1.750	1905686M1		ST491A				rd
1.250	SNFK311007	FD2091-1/4 SQ	DHU1-1/4S209				sq
1.125	SNYYB3471	FD209TTRMN/3AS	DHU1-1/8S209				sq
1.125	W238799B	FD209TTRMN/3AS	DHU1-1/8S209				sq
1.125	3643338M1	FD209TTRMN/3AS	DHU1-1/8S209				sq



# Disc Harrow Bearings

Listed In Ascending Order by Manufacturer Part No.



AGCO offers a wide range of bearings from a number of manufacturers. These Manufacturer Part Numbers are listed for reference only. The part number will not guarantee a specific manufacturer.

Disc Harrow Bearings												
AGCO Part No.	Manufacturer Part No.	A		B		C		D		Bore	Type	Lube
		Interior Diameter (in)	Interior Diameter (mm)	Outside Diameter (in)	Outside Diameter (mm)	Inner Race Width (in)	Inner Race Width (mm)	Outer Race Width (in)	Outer Race Width (mm)			
W237092B	1AC08-1.3/16C3	1.187	30.15	3.150	80.00	1.183	30.04	0.709	18.00	rd	5	Pre
842696M1	205KRR2 C1	0.876	22.25	2.047	52.00	1.000	25.40	0.591	15.00	hx	2	Pre
833045M1	205KRRB2	0.876	22.25	2.847	72.31	1.000	25.40	0.591	15.00	hx	6	Pre
1905685M1	205PPB7	0.938	23.81	2.047	52.00	1.378	35.00	0.591	15.01	rd	7	Pre
842697M1	206KRR6	1.000	25.40	2.441	62.00	0.945	24.00	0.630	16.00	hx	2	Pre
W238481B	2AS08-1.1/8D1V1	1.125	28.58	3.150	80.00	1.437	36.50	1.189	30.20	sq	6	Re
E10771	3AC10-1.15/16D1V1	1.938	49.21	3.543	90.00	1.188	30.16	1.188	30.16	rd	7	Re
832540M1	3AS11-1.1/2CN	1.500	38.10	3.937	100.00	1.311	33.30	1.311	33.30	sq	7	Re
70583939	3AS11-1.1/2D1V3	1.500	38.10	3.937	100.00	1.311	33.30	1.311	33.30	sq	7	Re
1905676M1	7AC10-1.15/16D1V1	1.938	49.21	3.543	90.00	1.188	30.18	1.188	30.18	rd	4	Pre
70594491	7AS11-1.1/2D1V2	1.500	38.10	3.937	100.00	1.312	33.32	1.312	33.32	sq	4	Re
1905678M1	7AS11-1.1/2V1	1.500	38.10	3.940	100.00	1.313	33.34	1.310	33.27	sq	4	Pre
3643338M1	81119700	1.125	28.58	5.000	127.00	1.688	42.88	1.672	42.47	sq	Flange	Re
SN5956	DC 211 TTR25N / 2A	1.750	44.45	3.937	100.00	1.312	33.32	1.312	33.32	rd	3	Re
1067542M1	DC205TTB	0.750	19.05	2.047	52.00	1.375	34.93	0.591	15.00	rd	2	Pre
EP5403	DC211TTR4	1.500	38.10	3.937	100.00	1.750	44.45	1.312	33.32	sq	3	Re
W238799B	DHU1 1/8 S209	1.125	28.58	5.000	127.00	1.688	42.88	1.672	42.47	sq	Flange	Re
SNYYB3471	DHU1 1/8 S209	1.125	28.58	5.000	127.00	1.688	42.88	1.672	42.47	sq	Flange	Re
700700613	DHU1-1/2R209	1.500	38.10	5.000	127.00	1.688	42.88	1.672	42.47	rd	Flange	Re
447899M1	DS208TT12B	1.125	28.58	3.443	87.45	1.438	36.53	1.188	30.18	sq	8	Pre
552-204	DS208TT13	0.876	22.25	3.150	80.00	1.438	36.51	0.709	18.00	sq	5	Pre
W221184B	DS208TT14	0.880	22.35	3.438	87.33	1.438	36.51	1.188	30.18	rd	8	Pre
1R41009	DS208TT5	1.125	28.58	3.150	80.00	1.438	36.53	0.709	18.00	sq	5	Pre
W20H5836	DS208TTR6	1.000	25.40	3.150	80.00	1.438	36.51	0.945	24.00	sq	6	Re
835050M4	DS209TT2	1.772	45.00	3.347	85.00	1.188	30.16	1.188	30.16	rd	7	Pre
34-0103	DS209TT4	1.525	38.74	3.347	85.00	1.188	30.16	1.188	30.16	rd	7	Pre
70430480	DS211TT2	2.187	55.56	3.937	100.00	1.313	33.33	1.313	33.33	rd	7	Pre
3643382M1	DS211TT23	1.500	38.10	3.937	100.00	1.750	44.45	1.312	33.32	sq	7	Re



# Disc Harrow Bearings

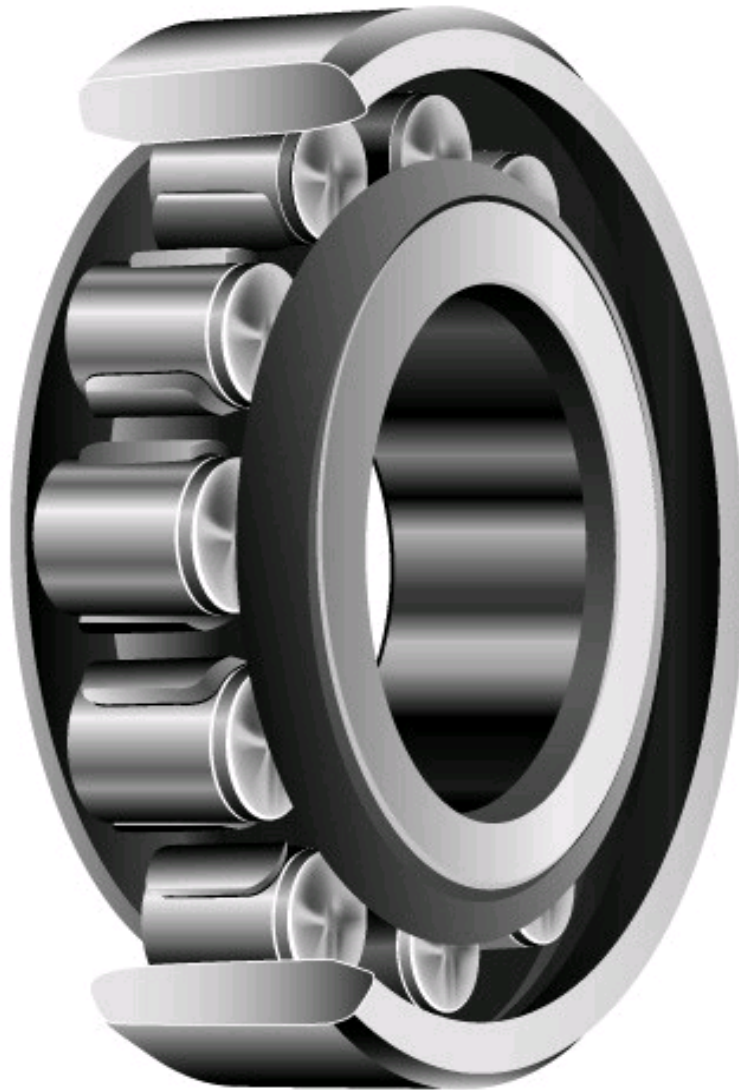
## Listed In Ascending Order by Manufacturer Part No.

Disc Harrow Bearings (cont.)												
AGCO Part No.	Manufacturer Part No.	A		B		C		D		Bore	Type	Lube
		Interior Diameter (in)	Interior Diameter (mm)	Outside Diameter (in)	Outside Diameter (mm)	Inner Race Width (in)	Inner Race Width (mm)	Outer Race Width (in)	Outer Race Width (mm)			
SNFK311007	FD2091-1/4 SQ	1.250	31.75	5.000	127.00	1.688	42.88	1.672	42.47	sq	Flange	Re
W238813B	FD209TTREN/3A	1.500	38.86	5.000	127.00	1.688	42.88	1.672	42.47	rd	Flange	Re
SN3215	FD209TTRJN/3AS	1.750	44.45	5.000	127.00	1.750	44.45	1.672	42.47	rd	Flange	Re
1905672M1	GW208PP17	1.125	28.58	3.375	85.73	1.438	36.53	1.188	30.18	sq	3	Re
70586143	GW208PPB29	1.250	31.75	3.140	79.76	1.430	36.32	1.180	29.97	hx	5	Re
1905667M1	GW208PPB5	1.125	28.58	3.150	80.00	1.438	36.53	0.827	21.01	sq	6	Re
70596130	GW209PP5	1.250	31.75	3.340	84.84	1.440	36.58	1.190	30.23	sq	1	Re
8050056	GW209PPB11 PRB	1.781	45.24	3.347	85.00	1.438	36.51	0.866	22.00	rd	5	Re
1905682M1	GW209PPB2	1.772	45.00	3.347	85.00	1.188	30.16	1.188	30.16	rd	7	Re
SN1829	GW209PPB4	1.525	39.00	3.347	85.00	1.188	30.16	1.188	30.16	rd	7	Re
EP6576	GW209PPB4	1.525	39.00	3.347	85.00	1.188	30.16	1.188	30.16	rd	7	Re
70589573	GW209PPB5	1.250	31.75	3.347	85.00	1.438	36.53	1.188	30.18	sq	6	Re
1905675M1	GW209PPB8	1.250	31.75	3.347	85.00	1.438	36.51	0.866	22.00	sq	5	Re
1905677M1	GW210PP4	1.125	28.58	3.540	89.92	1.210	30.73	1.190	30.23	sq	4	Re
3634465M1	GW211PP17	1.500	38.10	3.937	100.00	1.312	33.32	1.312	33.32	sq	3	Re
SN3091	GW211PP25-GX	1.775	45.09	3.937	100.00	1.750	44.45	1.313	33.34	rd	4	Re
1905679M1	GW211PP3	1.500	38.10	3.937	100.00	1.312	33.32	1.312	33.32	sq	4	Re
1905683M1	GW211PPB2	2.180	55.37	3.937	100.00	1.312	33.32	1.310	33.27	rd	7	Re
1064283M1	GW211PPB8	2.188	55.58	3.937	100.00	1.312	33.32	0.984	25.00	rd	5	Re
1905681M1	GW211PPB9	2.188	55.58	3.937	100.00	1.563	39.69	0.984	25.00	rd	5	Re
842704M1	HPS100GPN	1.000	25.40	2.441	62.00	0.945	24.00	0.876	22.25	hx	5	Pre
842303M1	SBX09A47LLSC3/8AQ1	1.250	31.80	3.347	85.00	1.438	36.51	1.188	30.18	sq	6	Pre
SN2042	SBX1181LLSQ1	1.775	45.09	3.937	100.00	1.312	33.32	0.984	25.00	rd	7	Re
70406677	SBX1184LLSQ1	1.500	38.10	4.000	101.60	1.750	44.45	1.438	36.53	sq	3	Pre
1905686M1	ST491A	1.750	44.45	5.000	127.00	1.750	44.45	1.672	42.47	rd	Flange	Re
20-7002934	W208PP10	1.500	38.10	3.150	80.00	1.683	42.75	0.827	21.01	rd	2	Pre
1905665M1	W208PP5	1.500	38.10	3.150	80.00	1.420	36.07	0.708	17.98	rd	2	Pre
1905669M1	W208PP8	1.125	28.58	3.150	80.00	1.438	36.51	1.188	30.18	sq	3	Pre
1905671M1	W208PPB11	0.876	22.25	3.438	87.33	1.189	30.20	1.437	36.50	sq	8	Pre
70575883	W208PPB16	1.250	31.75	3.150	80.00	1.438	36.51	0.709	18.00	hx	5	Pre
1905664M1	W208PPB2	1.500	38.10	3.150	80.00	1.688	42.88	0.709	18.01	rd	5	Pre
832634M3	W208PPB23	1.500	38.10	3.150	80.00	1.688	42.86	1.188	30.16	rd	6	Pre
SN24A-5301	W208PPB5	1.125	28.58	3.150	80.00	1.438	36.53	0.709	18.00	sq	5	Pre
843638M1	W208PPB5	1.125	28.58	3.347	85.00	1.438	36.53	0.709	18.00	sq	5	Pre
834367M1	W208PPB6	1.000	25.40	3.150	80.00	1.438	36.53	0.709	18.00	sq	5	Pre
31-0072	W209PPB2	1.772	45.00	3.347	85.00	1.188	30.16	1.188	30.16	rd	7	Pre
1905673M1	W209PPB4	1.525	38.74	3.347	85.00	1.188	30.16	1.188	30.16	rd	7	Pre
831960M3	W210PPB2	1.938	49.21	3.543	90.00	1.188	30.16	1.188	30.16	rd	7	Pre
1905680M1	W211PPB6	1.500	38.10	4.125	104.78	1.750	44.45	1.437	36.50	sq	8	Pre





# Roller Bearings





# Roller Bearings

## Introduction

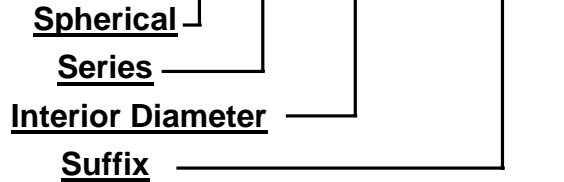
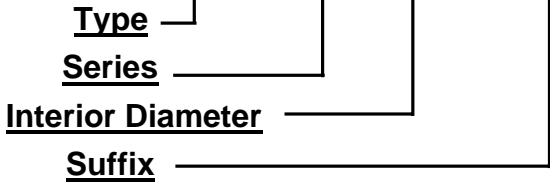
### How To Read A Manufacturer Roller Bearing Part Number

Cylindrical Roller Bearing Part No. Detail

Spherical Roller Bearing Part No. Detail

**NU 1205 E C2**

**22211 E C3**



(Example NU1205EC2: Straight inner ring, w/ outer ring and roller asy.; 25mm I.D.; Two ribbed outer ring; Larger internal clearance)

(Example 23240C3: Spherical, 55mm I.D.; Two ribbed outer ring; Larger internal clearance)

### Roller Bearing Number Explanation

#### Type

**NTN FAG Timken**

- N....Straight outer ring, w/ inner ring and roller asy.
- NU...Straight inner ring, w/ outer ring and roller asy.
- NF...1lip outer ring w/ inner ring and roller asy.
- NJ...1lip inner ring w/ outer ring and roller asy.
- NUP...Collar attached to ribless side of inner ring
- R, RN, RNU..Special cylindrical roller bearings

#### Link-Belt

- MU-TV..Straight outer ring w/ inner ring and roller asy.
- MA-TV..Straight inner ring w/ outer ring and roller asy.
- MR-TV..1lip inner ring w/ outer ring and roller asy.

#### Series

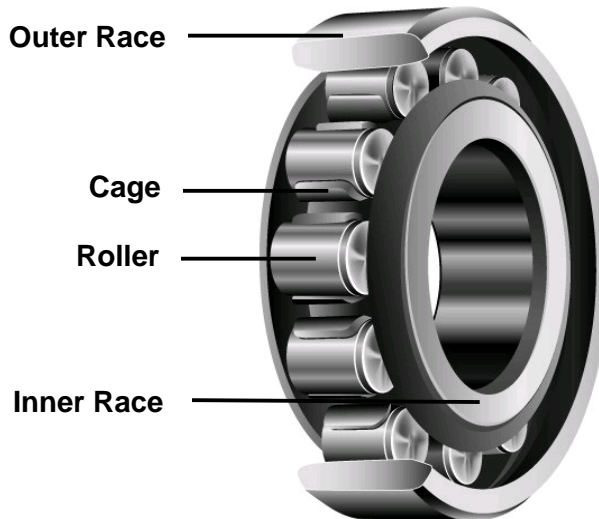
Identifies the variations in design of the rollers, cage, inner race and outer race.

#### Interior Diameter

Multiply the last two numbers by 5 to get the interior diameter size in millimeters.  
 $5 \times 5 = 25\text{mm}$   
 $40 \times 5 = 200\text{mm}$

#### Suffix

- C2,C3..Larger internal clearance
- E.....Two ribbed outer ring
- M1.....Machined brass cage
- T.....Glass fiber polyamide cage
- W33....Lubrication groove





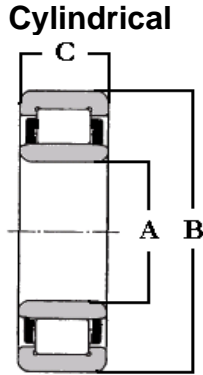


# Radial Roller Bearings

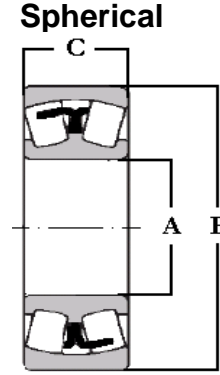
## Introduction

### Identifying the Differences Between Roller Bearings

A Cylindrical roller bearing is designed with a flat internal raceway.



A Spherical roller bearing is designed with a rounded internal raceway.

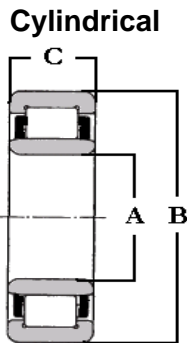


Roller bearings in this section are categorized by the internal race way design: Cylindrical (flat) and Spherical (rounded).

A Cylindrical roller bearing offers a higher load capacity than a ball bearing of the same size. A Spherical roller bearing is designed to accept a higher load capacity from the increase in surface contact area and the internal raceway design.

Roller bearings are commonly found in heavy-duty moderate speed applications.

### Understanding the Bearing Page Layout



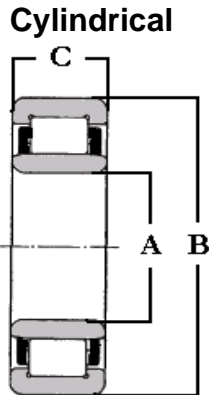
Cylindrical Roller Bearings				
AGCO Part No.	Manufacturer Part No.	A Interior Diameter (in) (mm)	B Outside Diameter (in) (mm)	C Width (in) (mm)
3003369X1	NJ309	0.787 20.00	2.047 52.00	0.591 15.00

The Illustrations at the beginning of each roller bearing section are used to help identify a bearing in the absence of the Manufacturer's Part Number. Column headings include: (A) Interior Diameter, (B) Outside Diameter and (C) Width.



# Radial Roller Bearings

## Listed in Ascending Order By Interior Diameter



AGCO offers a wide range of bearings from a number of manufacturers. These Manufacturer Part Numbers are listed for reference only. The part number will not guarantee a specific manufacturer.

Cylindrical Roller Bearings							
AGCO Part No.	Manufacturer Part No.	A Interior Diameter		B Outside Diameter		C Width	
		(in)	(mm)	(in)	(mm)	(in)	(mm)
70211700	NU303ECP	0.669	17.00	1.850	47.00	0.551	14.00
72094326	NUP2203E.TVP2	0.669	17.00	1.575	40.00	0.630	16.00
71374803	YCRSC-40	0.750	19.05	2.500	63.50	1.563	39.69
3003369X1	NJ309	0.787	20.00	2.047	52.00	0.591	15.00
30-3473759	NU304	0.787	20.00	2.047	52.00	0.591	15.00
1102016	NUP2204E.TVP2	0.787	20.00	1.850	47.00	0.709	18.00
8050635	MU1205TV	0.984	25.00	2.047	52.00	0.591	15.00
1117063	NJ205E.TVP2	0.984	25.00	2.047	52.00	0.591	15.00
74255338	NU205E	0.984	25.00	2.047	52.00	0.591	15.00
72103437	NUP205E.TVP2	0.984	25.00	2.047	52.00	0.591	15.00
195195M1	UC1305TM-1B	0.984	25.00	2.439	62.00	0.669	17.00
8050221	MU1305TM	0.984	25.00	2.441	62.00	0.669	17.00
72090832	NJ305E	0.984	25.00	2.441	62.00	0.669	17.00
1117154	NJ2305E.TVP2	0.984	25.00	2.441	62.00	0.945	24.00
1117358	NUP2305E.TVP2	0.984	25.00	2.441	62.00	0.945	24.00
11093	MU1206UM	1.181	30.00	2.440	62.00	0.625	16.00
191250M1	431935-C	1.181	30.00	2.438	61.94	0.750	19.05
191250V1	431935-C	1.181	30.00	2.438	61.94	0.750	19.05
1139101	NJ206E.TVP2	1.181	30.00	2.441	62.00	0.630	16.00
71193209	MR5206EL	1.181	30.00	2.438	61.91	0.938	23.81
3734345M1	NU207C3	1.378	35.00	2.835	72.00	0.669	17.00
3734344M1	NUP207	1.378	35.00	2.835	72.00	0.669	17.00
1177959	NUP207E.TVP2	1.378	35.00	2.835	72.00	0.669	17.00
1440591X1	MR1307TV	1.378	35.00	3.150	80.00	0.827	21.00
1101814	NJ307E.TVP2.C3	1.378	35.00	3.150	80.00	0.827	21.00
1117309	NUP307E.TVP2	1.378	35.00	3.150	80.00	0.827	21.00
1442067X1	NJ2307	1.378	35.00	3.150	80.00	1.220	31.00
1117066	NJ207E.TVP2	1.378	35.00	2.835	72.00	0.669	17.00



# Radial Roller Bearings

## Listed in Ascending Order By Interior Diameter

Cylindrical Roller Bearings (cont.)							
AGCO Part No.	Manufacturer Part No.	A		B		C	
		Interior Diameter (in)	(mm)	Outside Diameter (in)	(mm)	Width (in)	(mm)
11484	NJ207ECP	1.378	35.00	2.835	72.00	0.669	17.00
1612707M1	RNU-405	1.528	38.80	3.150	80.00	0.827	21.00
17288	MU1208UM	1.575	40.00	3.150	80.00	0.709	18.00
1137713	N208	1.575	40.00	3.150	80.00	0.709	18.00
1274034	NJ208ECPC3	1.575	40.00	3.150	80.00	0.709	18.00
1274034	NJ208ECPC3	1.575	40.00	3.150	80.00	0.709	18.00
3734346M1	NUP208C3	1.575	40.00	3.150	80.00	0.709	18.00
1102340	NUP2208E.TVP2	1.575	40.00	3.150	80.00	0.709	18.00
834822M1	NF308	1.575	40.00	3.543	90.00	0.906	23.00
72161843	83A551B	1.575	40.00	2.441	62.00	0.945	24.00
3387381M1	NU1007ECP	1.654	42.00	2.441	62.00	0.551	14.00
1117371	RNU207NETVP2	1.732	44.00	2.835	72.00	0.669	17.00
11095	MU1209TM	1.772	45.00	3.346	85.00	0.748	19.00
707698	MR5209EL	1.770	45.00	3.346	85.00	1.183	30.00
72160729	MU1209TV	1.772	45.00	3.346	85.00	0.748	19.00
71143657	NJ209	1.772	45.00	3.346	85.00	0.748	19.00
1137013	NU209NETVP2	1.772	45.00	3.346	85.00	0.748	19.00
843383M1	RNU2209	1.772	45.00	3.346	85.00	0.906	23.00
1139415	MSN1309EB	1.772	45.00	3.937	100.00	0.984	25.00
163715A	MU1309TM	1.772	45.00	3.937	100.00	0.984	25.00
72514364	MU1309UV	1.772	45.00	3.937	100.00	0.984	25.00
1117311	NUP309ECP	1.772	45.00	3.937	100.00	0.984	25.00
11083	NU3209	1.772	45.00	3.346	85.00	1.189	30.20
707679	MR1209TV	1.772	45.00	3.347	85.00	0.748	19.00
71166797	MR5209EL	1.772	45.00	3.347	85.00	1.183	30.00
1104028	NUP210E.TVP2	1.969	50.00	3.543	90.00	0.787	20.00
392040X1	NJ310	1.969	50.00	4.331	110.00	1.063	27.00
4311632	NUP310E.M1	1.969	50.00	4.331	110.00	1.063	27.00
1117071	NJ211E.TVP2	2.165	55.00	3.937	100.00	0.827	21.00
843686M1	RNU209FY	2.165	55.00	3.346	85.00	0.748	19.00
1103594	NUP211E.TVP2	2.165	55.00	3.937	100.00	0.827	21.00
3734348M1	NUP2211	2.165	55.00	3.937	100.00	0.984	25.00
1137019	RNU211E.TVP2	2.165	55.00	3.937	100.00	0.827	21.00
3003372X1	NUP-211	2.165	55.00	3.937	100.00	0.827	21.00
72160722	M1309EL	2.337	59.36	3.937	100.00	0.984	25.00
EE360	NU212	2.362	60.00	4.331	110.00	0.866	22.00
1117298	NUP212E	2.362	60.00	4.331	110.00	0.866	22.00
30-3300803	M1310EL	2.565	65.15	4.331	110.00	1.063	27.00
72160419	M1211EL	2.634	66.90	3.937	100.00	0.827	21.00
1117245	NU1014M1	2.756	70.00	4.331	110.00	0.787	20.00



# Radial Roller Bearings

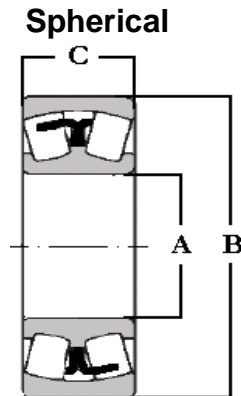
Listed in Ascending Order By Interior Diameter

Cylindrical Roller Bearings (cont.)							
AGCO Part No.	Manufacturer Part No.	A Interior Diameter		B Outside Diameter		C Width	
		(in)	(mm)	(in)	(mm)	(in)	(mm)
1137462	NUP214E.TVP2	2.756	70.00	4.921	125.00	0.551	14.00
8050593	SB-22315-SS	2.952	75.00	6.299	160.00	2.165	55.00
1231526	NJ1015M1	2.953	75.00	4.528	115.00	0.787	20.00



# Radial Roller Bearings

Listed in Ascending Order By Interior Diameter



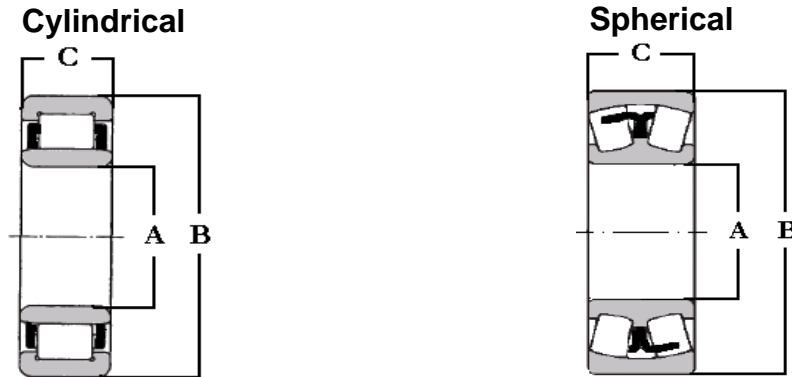
AGCO offers a wide range of bearings from a number of manufacturers. These Manufacturer Part Numbers are listed for reference only. The part number will not guarantee a specific manufacturer.

<b>Spherical Roller Bearings</b>							
AGCO Part No.	Manufacturer Part No.	A		B		C	
		Interior Diameter (in)	(mm)	Outside Diameter (in)	(mm)	Width (in)	(mm)
1142451	16205	0.787	20.00	1.040	26.41	0.827	21.00
700714310	BAH-0013	1.378	35.00	2.836	72.00	1.299	33.00
71309694	22208CCW33	1.575	40.00	3.150	80.00	0.906	23.00
71344496	22308CJW33C3	1.575	40.00	3.543	90.00	1.299	33.00
844520M1	21309E	1.772	45.00	3.937	100.00	0.984	25.00
8051005	22211E/C3	2.165	55.00	3.937	100.00	0.984	25.00
7713803	22313DIC3	2.559	65.00	5.511	140.00	1.885	48.00
700715741	22213E/C3W33	2.559	65.00	4.724	120.00	1.220	31.00
700716384	22315BD1C3	2.953	75.00	6.299	160.00	2.165	55.00
700706041	23030BD1C3	5.906	150.00	8.858	225.00	2.205	56.00



# Radial Roller Bearings

Listed in Ascending Order By Manufacturer Part No.



AGCO offers a wide range of bearings from a number of manufacturers. These Manufacturer Part Numbers are listed for reference only. The part number will not guarantee a specific manufacturer.

Cylindrical and Spherical Roller Bearings								
AGCO Part No.	Manufacturer Part No.	A		B		C		Type
		Interior Diameter (in)	(mm)	Outside Diameter (in)	(mm)	Width (in)	(mm)	
1142451	16205	0.787	20.00	1.040	26.41	0.827	21.00	Spherical
844520M1	21309E	1.772	45.00	3.937	100.00	0.984	25.00	Spherical
71309694	22208CCW33	1.575	40.00	3.150	80.00	0.906	23.00	Spherical
8051005	22211E/C3	2.165	55.00	3.937	100.00	0.984	25.00	Spherical
700715741	22213E/C3W33	2.559	65.00	4.724	120.00	1.220	31.00	Spherical
71344496	22308CJW33C3	1.575	40.00	3.543	90.00	1.299	33.00	Spherical
7713803	22313DIC3	2.559	65.00	5.511	140.00	1.885	48.00	Spherical
700716384	22315BD1C3	2.953	75.00	6.299	160.00	2.165	55.00	Spherical
700706041	23030BD1C3	5.906	150.00	8.858	225.00	2.205	56.00	Spherical
191250M1	431935-C	1.181	30.00	2.438	61.94	0.750	19.05	Cylindrical
191250V1	431935-C	1.181	30.00	2.438	61.94	0.750	19.05	Cylindrical
72161843	83A551B	1.575	40.00	2.441	62.00	0.945	24.00	Cylindrical
700714310	BAH-0013	1.378	35.00	2.836	72.00	1.299	33.00	Spherical
72160419	M1211EL	2.634	66.90	3.937	100.00	0.827	21.00	Cylindrical
72160722	M1309EL	2.337	59.36	3.937	100.00	0.984	25.00	Cylindrical
30-3300803	M1310EL	2.565	65.15	4.331	110.00	1.063	27.00	Cylindrical
707679	MR1209TV	1.772	45.00	3.347	85.00	0.748	19.00	Cylindrical
1440591X1	MR1307TV	1.378	35.00	3.150	80.00	0.827	21.00	Cylindrical
71193209	MR5206EL	1.188	30.16	2.438	61.91	0.938	23.81	Cylindrical
707698	MR5209EL	1.770	45.00	3.346	85.00	1.183	30.00	Cylindrical
71166797	MR5209EL	1.772	45.00	3.347	85.00	1.183	30.00	Cylindrical
1139415	MSN1309EB	1.772	45.00	3.937	100.00	0.984	25.00	Cylindrical
8050635	MU1205TV	0.984	25.00	2.047	52.00	0.591	15.00	Cylindrical
11093	MU1206UM	1.181	30.00	2.440	62.00	0.625	16.00	Cylindrical
17288	MU1208UM	1.575	40.00	3.150	80.00	0.709	18.00	Cylindrical
11095	MU1209TM	1.772	45.00	3.346	85.00	0.748	19.00	Cylindrical
72160729	MU1209TV	1.772	45.00	3.346	85.00	0.748	19.00	Cylindrical
8050221	MU1305TM	0.984	25.00	2.441	62.00	0.669	17.00	Cylindrical
163715A	MU1309TM	1.772	45.00	3.937	100.00	0.984	25.00	Cylindrical



# Radial Roller Bearings

Listed in Ascending Order By Manufacturer Part No.

Cylindrical and Spherical Roller Bearings (cont.)								
AGCO Part No.	Manufacturer Part No.	A		B		C		Type
		Interior Diameter (in)	(mm)	Outside Diameter (in)	(mm)	Width (in)	(mm)	
72514364	MU1309UV	1.772	45.00	3.937	100.00	0.984	25.00	Cylindrical
1137713	N208	1.575	40.00	3.150	80.00	0.709	18.00	Cylindrical
834822M1	NF308	1.575	40.00	3.543	90.00	0.906	23.00	Cylindrical
1231526	NJ1015M1	2.953	75.00	4.528	115.00	0.787	20.00	Cylindrical
1117063	NJ205E.TVP2	0.984	25.00	2.047	52.00	0.591	15.00	Cylindrical
1139101	NJ206E.TVP2	1.181	30.00	2.441	62.00	0.630	16.00	Cylindrical
1117066	NJ207E.TVP2	1.378	35.00	2.835	72.00	0.669	17.00	Cylindrical
11484	NJ207ECP	1.378	35.00	2.835	72.00	0.669	17.00	Cylindrical
1274034	NJ208ECP3	1.575	40.00	3.150	80.00	0.709	18.00	Cylindrical
71143657	NJ209	1.772	45.00	3.346	85.00	0.748	19.00	Cylindrical
1117071	NJ211E.TVP2	2.165	55.00	3.937	100.00	0.827	21.00	Cylindrical
1117154	NJ2305E.TVP2	0.984	25.00	2.441	62.00	0.945	24.00	Cylindrical
1442067X1	NJ2307	1.378	35.00	3.150	80.00	1.220	31.00	Cylindrical
72090832	NJ305E	0.984	25.00	2.441	62.00	0.669	17.00	Cylindrical
1101814	NJ307E.TVP2.C3	1.378	35.00	3.150	80.00	0.827	21.00	Cylindrical
3003369X1	NJ309	0.787	20.00	2.047	52.00	0.591	15.00	Cylindrical
392040X1	NJ310	1.969	50.00	4.331	110.00	1.063	27.00	Cylindrical
3387381M1	NU1007ECP	1.654	42.00	2.441	62.00	0.551	14.00	Cylindrical
1117245	NU1014M1	2.756	70.00	4.331	110.00	0.787	20.00	Cylindrical
74255338	NU205E	0.984	25.00	2.047	52.00	0.591	15.00	Cylindrical
3734345M1	NU207C3	1.378	35.00	2.835	72.00	0.669	17.00	Cylindrical
1137013	NU209NETVP2	1.772	45.00	3.346	85.00	0.748	19.00	Cylindrical
EE360	NU212	2.362	60.00	4.331	110.00	0.866	22.00	Cylindrical
70211700	NU303ECP	0.669	17.00	1.850	47.00	0.551	14.00	Cylindrical
30-3473759	NU304	0.787	20.00	2.047	52.00	0.591	15.00	Cylindrical
11083	NU3209	1.772	45.00	3.346	85.00	1.189	30.20	Cylindrical
72103437	NUP205E.TVP2	0.984	25.00	2.047	52.00	0.591	15.00	Cylindrical
3734344M1	NUP207	1.378	35.00	2.835	72.00	0.669	17.00	Cylindrical
1177959	NUP207E.TVP2	1.378	35.00	2.835	72.00	0.669	17.00	Cylindrical
3734346M1	NUP208C3	1.575	40.00	3.150	80.00	0.709	18.00	Cylindrical
1104028	NUP210E.TVP2	1.969	50.00	3.543	90.00	0.787	20.00	Cylindrical
3003372X1	NUP-211	2.165	55.00	3.937	100.00	0.827	21.00	Cylindrical
1103594	NUP211E.TVP2	2.165	55.00	3.937	100.00	0.827	21.00	Cylindrical
1117298	NUP212E	2.362	60.00	4.331	110.00	0.866	22.00	Cylindrical
1137462	NUP214E.TVP2	2.756	70.00	4.921	125.00	0.551	14.00	Cylindrical
72094326	NUP2203E.TVP2	0.669	17.00	1.575	40.00	0.630	16.00	Cylindrical
1102016	NUP2204E.TVP2	0.787	20.00	1.850	47.00	0.709	18.00	Cylindrical
1102340	NUP2208E.TVP2	1.575	40.00	3.150	80.00	0.709	18.00	Cylindrical
3734348M1	NUP2211	2.165	55.00	3.937	100.00	0.984	25.00	Cylindrical
1117358	NUP2305E.TVP2	0.984	25.00	2.441	62.00	0.945	24.00	Cylindrical
1117309	NUP307E.TVP2	1.378	35.00	3.150	80.00	0.827	21.00	Cylindrical



# Radial Roller Bearings

Listed in Ascending Order By Manufacturer Part No.

Cylindrical and Spherical Roller Bearings (cont.)								
AGCO Part No.	Manufacturer Part No.	A		B		C		Type
		Interior Diameter		Outside Diameter		Width		
		(in)	(mm)	(in)	(mm)	(in)	(mm)	
1117311	NUP309ECP	1.772	45.00	3.937	100.00	0.984	25.00	Cylindrical
4311632	NUP310E.M1	1.969	50.00	4.331	110.00	1.063	27.00	Cylindrical
1117371	RNU207NETVP2	1.732	44.00	2.835	72.00	0.669	17.00	Cylindrical
843686M1	RNU209FY	2.165	55.00	3.346	85.00	0.748	19.00	Cylindrical
1137019	RNU211E.TVP2	2.165	55.00	3.937	100.00	0.827	21.00	Cylindrical
843383M1	RNU2209	1.772	45.00	3.346	85.00	0.906	23.00	Cylindrical
1612707M1	RNU-405	1.528	38.80	3.150	80.00	0.827	21.00	Cylindrical
8050593	SB-22315-SS	2.952	75.00	6.299	160.00	2.165	55.00	Cylindrical
195195M1	UC1305TM-1B	0.984	25.00	2.439	62.00	0.669	17.00	Cylindrical
71374803	YCRSC-40	0.750	19.05	2.500	63.50	1.563	39.69	Cylindrical





# Tapered Roller Bearings





# Tapered Roller Bearings

## Introduction

### How To Read A Manufacturer Tapered Roller Bearing Part Number

Inch / Metric Series	International Standard Series
<b>4T- H825810</b>	<b>30308</b>
<p><b>Prefix</b> _____</p> <p><b>Angularity</b> _____</p> <p><b>Series</b> _____</p> <p><b>Component</b> _____</p> <p><i>(Example 4T-H825810: Case hardened; Heavy; Angularity is 36° to 44.9°; 5.01" to 6" I.D.; Cup)</i></p>	<p><b>Type</b> _____</p> <p><b>Width Series</b> _____</p> <p><b>Diameter Series</b> _____</p> <p><b>Interior Diameter</b> _____</p> <p><i>(Example 30308: Tapered Asy.; Small width; Large diameter; 40mm I.D.)</i></p>

### Tapered Roller Bearing Number Explanation

#### Inch / Metric Series

<u>Prefix</u>	<u>Angularity</u>	<u>Series</u>	<u>Component</u>
<p><b>NTN</b></p> <p>4T...Case hardened</p> <p><b>Timken Koyo NTN</b></p> <p>J .....Metric bore</p> <p>L.....Light</p> <p>LM....Light-medium</p> <p>M.....Medium</p> <p>H.....Heavy</p> <p>HM....Heavy-medium</p> <p>HH....Heavier than heavy</p>	<p><b>No.</b>    <b>Cup Angle</b></p> <p>1..... 0° to 23.9°</p> <p>2.....24° to 25.49°</p> <p>3.....25.5° to 26.9°</p> <p>4.....27° to 28.49°</p> <p>5.....28.5° to 30.49°</p> <p>6.....30.5° to 32.49°</p> <p>7.....32.5° to 35.9°</p> <p>8.....36° to 44.9°</p> <p>9.....45° to thrust only</p> <p>0....Thrust bearing only</p>	<p><b>No.</b>    <b>Interior Diameter (inches)</b></p> <p>00 - 19.....0 to 1"</p> <p>20 - 99.....1.01" to 2"</p> <p>000 - 029.....1.01" to 2"</p> <p>039 - 129.....2.01" to 3"</p> <p>130 - 189.....3.01" to 4"</p> <p>190 - 239.....4.01" to 5"</p> <p>240 - 289.....5.01" to 6"</p> <p>290 - 339.....6.01" to 7"</p>	<p><b>Cup:</b> 10 to 19</p> <p><b>Cone:</b> 30 to 49</p>

#### International Standard Series

<u>Type</u>	<u>Width Series</u>	<u>Diameter Series</u>
The first digit of the ISO series is always 3 to indicate the bearing is a tapered assembly	0, 2 or 3 represents the width series, 0 being the smallest and 3 the largest	0, 2 or 3 represents the diameter series, 0 being the smallest and 3 the largest

<u>Interior Diameter</u>
00... 10mm
01... 12mm
02... 15mm
03... 17mm
04... 20mm

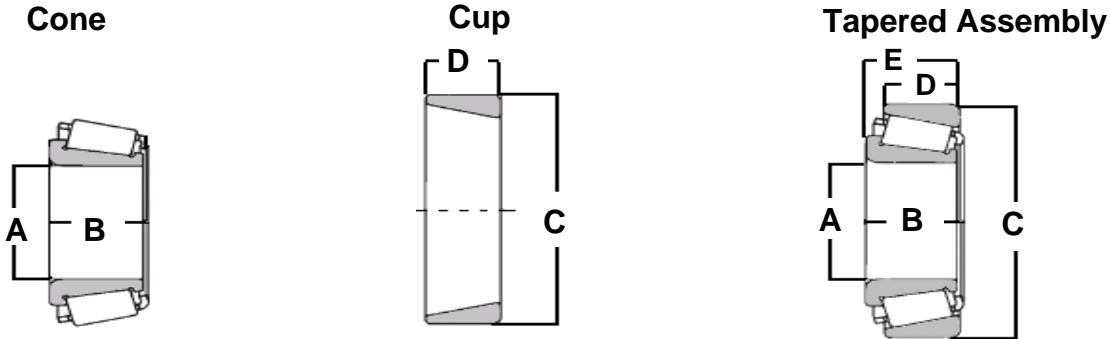
\*04 and up: multiply the last two numbers by 5 to get bore size in millimeters. **Metric:** The last two numbers is the size of the interior diameter in millimeters.



# Tapered Roller Bearings

## Introduction

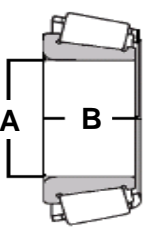
### Identifying the Advantages for Tapered Roller Bearings



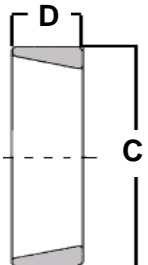
Tapered roller bearings are used in a number of applications throughout the off-road industry. The simple design of how the cone (inner ring) matches to the cup (outer ring) allows for applying both thrust (side-to-side) and radial (up and down) loads. In the Cup and Cone sections, there are dimensional and group number information listed. Group numbers are to be used in the Cups and Cones Interchange section to identify other possible cup and cone combinations. These groups (pages 151-177) feature the same internal construction and load capacities. Any cone within a group can be combined with any cup in the same group. *Example:* On page 130, 760906M1 is a Group 1 Cone. The corresponding cups that fit this Cone can be found in the Cups and Cones Interchange section on page 149. Part number 760906M1 can be used with the following cups: 760907M1 or 70207570. **Note: Although each bearing manufacturer follows ABMA (American Bearing Manufacturers Association) standards, it is not advisable to pair cups and cones from different manufacturers.**

### Understanding the Bearing Page Layout

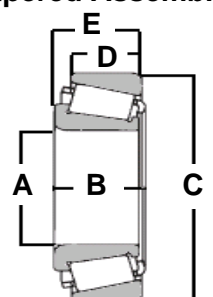
**Cone**



**Cup**



**Tapered Assembly**



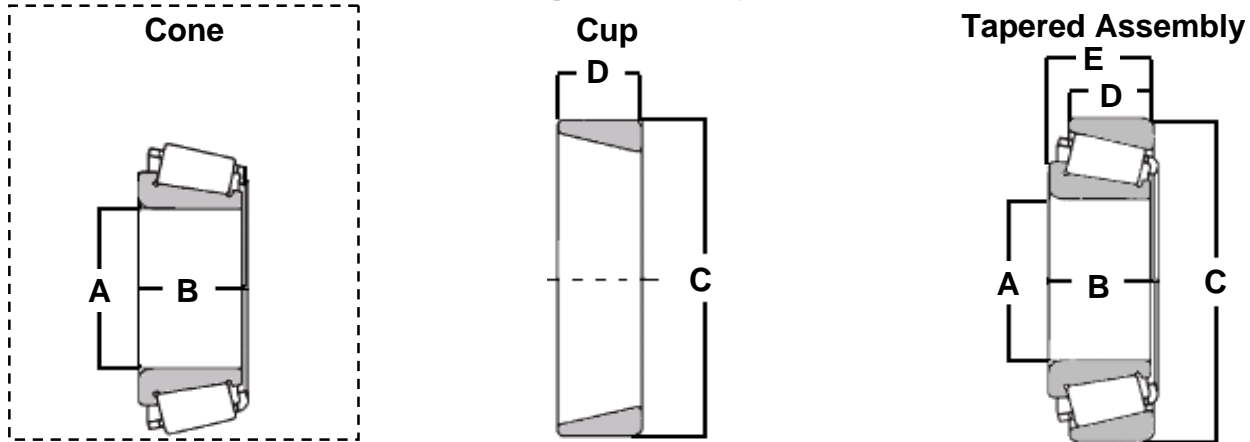
Cones						
AGCO Part No.	Manufacturer Part No.	A		B		Group No.*
		Interior Diameter (in)	(mm)	Width (in)	(mm)	
760906M1	5BC	1.115	28.31	0.309	7.85	1

The Illustrations at the beginning of each tapered roller bearing section are used to help identify a bearing in the absence of the Manufacturer's Part Number. Depending on the section, column headings will show the dimensions for a cone or cup. Column headings include: (A) Interior Diameter, (B) Cone Width, (C) Outside Diameter, (D) Cup Width and Group.



# Tapered Roller Bearings Cones

Listed in Ascending Order by Manufacturer Part No.



AGCO offers a wide range of bearings from a number of manufacturers. These Manufacturer Part Numbers are listed for reference only. The part number will not guarantee a specific manufacturer.

Cones						
AGCO Part No.	Manufacturer Part No.	A		B		Group No.*
		Interior Diameter (in)	(mm)	Cone Width (in)	(mm)	
760906M1	5BC	1.115	28.31	0.309	7.85	1
832397M1	4CB	0.813	20.64	0.476	12.09	2
70228150	11-BC	1.181	30.00	0.394	10.00	3
HA5019	21-BC	1.375	34.93	0.403	10.23	4
JT9202	31-BC	1.599	40.62	0.407	10.34	5
72090691	35BC	1.535	39.00	0.512	13.00	6
WKT7109	336	1.625	41.28	0.882	22.40	7
70210548	342	1.625	41.28	0.882	22.40	7
SN3061	342A	1.625	41.28	1.180	30.00	7
832729M1	342A	1.625	41.28	1.180	30.00	7
10A22365	342S	1.688	42.88	0.882	22.40	7
842789M1	344A	1.575	40.00	0.882	22.40	7
712042	350	1.575	40.00	0.854	21.69	8
70211562	355	1.750	44.45	0.854	21.69	8
71119313	355A	1.750	44.45	0.854	21.69	8
10A8408	385A	2.000	50.80	0.864	21.95	8
831304M1	368	2.000	50.80	0.875	22.23	9
200922M1	368A	2.000	50.80	0.875	22.23	9
70936730	368-S	2.031	51.59	0.875	22.23	9
124X30	369-S	1.875	47.63	0.875	22.23	9
70225110	370A	2.000	50.80	0.875	22.23	9
70211563	385	2.165	55.00	0.864	21.95	10
AG028808	385A	2.000	50.80	0.864	21.95	10
3405342M91	386A	1.875	47.63	0.864	21.95	10
10A7291	387	2.250	57.15	0.864	21.95	10
72163092	387A	2.250	57.15	0.864	21.95	10
AG713795	387A	2.250	57.15	0.864	21.95	10
35A3399	387S	2.250	57.15	0.864	21.95	10

\* Use the Group Number to reference the Cups and Cones Interchange Section E-3



# Tapered Roller Bearings Cones

Listed in Ascending Order by Manufacturer Part No.

Cones (cont.)						
AGCO Part No.	Manufacturer Part No.	A		B		Group No.*
		Interior Diameter (in)	(mm)	Cone Width (in)	(mm)	
73010579	388A	2.265	57.53	0.864	21.95	10
982092	389A	2.125	53.98	0.864	21.95	10
MA5012	390A	2.500	63.50	0.866	22.00	11
70209894	395	2.500	63.50	0.866	22.00	11
831488M1	395A	2.625	66.68	0.866	22.00	11
700710545	395LA 902A4	2.688	68.26	0.866	22.00	11
70229110	395S	2.625	66.68	0.866	22.00	11
70043002	397	2.362	60.00	0.866	22.00	11
2374238	399A	2.688	68.26	0.866	22.00	11
834834M1	399AS	2.688	68.26	0.866	22.00	11
W9110060	399AS	2.688	68.26	0.866	22.00	11
74850232	455S	2.000	50.80	1.154	29.31	12
714451	458	1.750	44.45	1.154	29.32	12
195675M1	462 A	2.250	57.15	1.154	29.32	12
195675V1	462 A	2.250	57.15	1.154	29.32	12
300974M1	4T-462	2.250	57.15	1.154	29.32	12
35A239	469	2.250	57.15	1.154	29.31	12
72507597	475	2.165	55.00	1.142	29.00	13
AG720164	495	3.250	82.55	1.172	29.77	14
7714363	495	3.250	82.55	1.172	29.77	14
AG700950	495A	3.000	76.20	1.172	29.77	14
71143195	495AS	3.063	77.79	1.172	29.77	14
AG604154	496	3.188	80.96	1.172	29.77	14
832589M1	496	3.188	80.96	1.172	29.77	14
73024650	497	3.375	85.73	1.172	29.77	14
700704966	497A	3.375	85.73	1.172	29.77	14
70238936	498	3.313	84.14	1.172	29.77	14
843680M2	526	1.625	41.28	1.420	36.07	15
Y713420	529	2.000	50.80	1.420	36.07	15
AG721060	555S	2.250	57.15	1.444	36.68	16
7713134	567	2.875	73.03	1.424	36.17	17
UT9033	567-S	2.813	71.44	1.424	36.17	17
103758A	568	2.906	73.82	1.424	36.17	17
KA5011	575	3.000	76.20	1.421	36.10	18
70253192	575	3.000	76.20	1.421	36.10	18
10A18964	576	2.875	73.03	1.421	36.10	18
70043010	580	3.250	82.55	1.421	36.10	18
70053509	593	3.500	88.90	1.430	36.32	19
190460M1	4T-594	3.750	95.25	1.430	36.32	19
736508	594A	3.750	95.25	1.430	36.32	19
71141348	598	3.625	92.08	1.430	36.32	19

\* Use the Group Number to reference the  
Cups and Cones Interchange Section E-3



# Tapered Roller Bearings Cones

Listed in Ascending Order by Manufacturer Part No.

Cones (cont.)						
AGCO Part No.	Manufacturer Part No.	A		B		Group No.*
		Interior Diameter (in)	(mm)	Cone Width (in)	(mm)	
10A27972	623S	2.250	57.15	1.500	38.10	20
70937174	643	2.750	69.85	1.625	41.28	21
UT9008	643	2.750	69.85	1.625	41.28	21
163608A	681	3.625	92.08	1.625	41.28	22
843626M2	744	2.875	73.03	1.837	46.66	23
7713886	749	3.348	85.03	1.838	46.67	23
982384	750A	3.250	82.55	1.838	46.67	23
700706030	755	3.000	76.20	1.900	48.26	24
70930867	4T-757	3.250	82.55	1.900	48.26	24
700706033	759	3.500	88.90	1.900	48.26	24
700715742	799	5.062	128.57	1.875	47.63	25
70800449	1380	0.875	22.23	0.794	20.17	26
7710072	2558	1.188	30.16	0.998	25.36	27
70931015	2578	1.125	28.58	0.998	25.36	27
70927954	2580	1.250	31.75	0.998	25.36	27
7710080	2581	1.313	33.34	0.998	25.36	27
31-2437070	2582	1.250	31.75	0.998	25.36	27
71143200	2585	1.313	33.34	0.998	25.36	27
70525980	2689	1.125	28.58	1.001	25.43	28
800334	2690	1.156	29.37	1.001	25.43	28
70222214	2776	1.500	38.10	1.010	25.65	29
70530468	2780	1.437	36.49	1.010	25.65	29
70539114	2788	1.500	38.10	1.010	25.65	29
10A26950	2788A	1.500	38.10	1.010	25.65	29
74255820	2789	1.563	39.69	1.010	25.65	29
AG603961	2790	1.312	33.32	1.010	25.65	29
SNRT019551	2790	1.313	33.34	1.010	25.65	29
204257	2790	1.313	33.34	1.010	25.65	29
70929653	2793	1.375	34.93	1.010	25.65	29
70240445	2796	1.375	34.93	1.010	25.65	29
BB5014A	2820	2.875	73.03	0.688	17.46	30
850131M1	2875	1.250	31.75	0.875	22.23	30
831605M1	2876	1.250	31.75	0.875	22.23	30
BA5008	2877	1.375	34.93	0.875	22.23	30
70228297	2877	1.375	34.93	0.937	23.80	30
BA5008A	2878	1.375	34.93	0.938	23.81	30
BA5014A	2879	1.250	31.75	0.938	23.81	30
71143451	2984	1.813	46.04	1.008	25.61	31
72160238	3193	1.250	31.75	1.181	30.00	32
70931014	3196	1.313	33.34	1.181	30.00	32
74253302	3382	1.500	38.10	1.196	30.38	33

\* Use the Group Number to reference the  
Cups and Cones Interchange Section E-3



# Tapered Roller Bearings Cones

Listed in Ascending Order by Manufacturer Part No.

Cones (cont.)						
AGCO Part No.	Manufacturer Part No.	A		B		Group No.*
		Interior Diameter (in)	(mm)	Cone Width (in)	(mm)	
982603	3379	1.375	34.93	1.197	30.39	33
KT7109A	3383	1.625	41.28	1.197	30.39	33
71162778	3490	1.500	38.10	1.172	29.77	34
74254692	3576	1.625	41.28	1.216	30.89	35
FT7014	3578	1.750	44.45	1.216	30.89	35
982629	3579	1.688	42.86	1.216	30.89	35
22245X	4T-3578	1.750	44.45	1.216	30.89	35
AG703041	3585	1.625	41.28	1.216	30.89	35
70927950	3659	0.938	23.81	1.198	30.42	36
70605175	3767	2.063	52.39	1.193	30.30	37
AG028022	3767	2.063	52.39	1.193	30.30	37
31-2429030	4T-3778	1.875	47.63	1.193	30.30	37
AG603953	3780	2.000	50.80	1.193	30.30	37
831703M1	3780	2.000	50.80	1.193	30.30	37
833805M1	3781	1.938	49.21	1.193	30.30	37
AG705326	3782	1.750	44.45	1.193	30.30	37
831326M1	3782	1.750	44.45	1.193	30.30	37
70253011	3784	2.000	50.80	1.193	30.30	37
195162M1	3795	2.000	50.80	1.193	30.30	37
844407M1	3872	1.375	34.93	1.188	30.16	38
70932843	3875	1.500	38.10	1.188	30.16	38
70210011	3876	1.500	38.10	1.188	30.16	38
LA5005	3877	1.625	41.28	1.188	30.16	38
71377535	3880	1.625	41.28	1.188	30.16	38
70230972	3880	1.625	41.28	1.188	30.16	38
H971528R91	3975	2.000	50.80	1.183	30.05	39
70042884	3975	2.000	50.80	1.183	30.05	39
10A31025	3977	2.362	60.00	1.183	30.05	39
71334989	3980	2.375	60.33	1.183	30.05	39
70209905	3982	2.500	63.50	1.183	30.05	39
AG604445	3982	2.500	63.50	1.183	30.05	39
KA5021	3984	2.625	66.68	1.183	30.05	39
195159M1	3984	2.625	66.68	1.183	30.05	39
713404	4375	1.500	38.10	1.590	40.39	40
71377723	4388	1.625	41.28	1.590	40.39	40
843556M1	4388	1.625	41.28	1.590	40.39	40
982712	4395	1.656	42.07	1.590	40.39	40
843630M2	4595	2.125	54.00	1.581	40.16	41
982733	5395	1.938	49.21	1.751	44.48	42
70932875	5584	2.500	63.50	1.723	43.76	43
982755	5760	3.000	76.20	1.815	46.10	44

\* Use the Group Number to reference the  
Cups and Cones Interchange Section E-3



# Tapered Roller Bearings Cones

Listed in Ascending Order by Manufacturer Part No.

Cones (cont.)						
AGCO Part No.	Manufacturer Part No.	A		B		Group No.*
		Interior Diameter (in)	(mm)	Cone Width (in)	(mm)	
74917382	A6075	0.750	19.05	0.439	11.15	45
AG721071	6461A	3.000	76.20	2.135	54.23	46
70930869	6559C	3.250	82.55	2.169	55.10	47
843684M1	6580	3.500	88.90	2.169	55.09	47
700703797	9185	2.688	68.26	1.813	46.04	48
78551324	9378	3.000	76.20	2.000	50.80	49
700706027	9386H	3.313	84.14	1.813	46.04	49
70232247	2473	1.000	25.40	0.875	22.23	50
7445-14	2476	1.250	31.75	0.875	22.23	50
70228297	3877	1.625	41.28	1.188	30.16	51
70211593	7098	0.984	25.00	0.561	14.26	52
50112	7100	1.000	25.40	0.561	14.26	52
150662M1	9067	0.750	19.05	0.750	19.05	53
70209925	9074	0.750	19.05	0.848	21.54	53
70800186	9081	0.812	20.62	0.848	21.54	53
70336915	LM11749	0.688	17.46	0.575	14.61	54
711044	LM11900LA 902A1	0.750	19.05	0.655	16.64	55
AG608604	LM11949	0.750	19.05	0.655	16.64	55
SN127	LM11949	0.750	19.05	0.655	16.64	55
831055M1	LM11949	0.750	19.05	0.655	16.64	55
8050437	LM11949XL	0.750	19.05	0.655	16.64	55
70229044	12175	1.750	44.45	0.675	17.15	56
353085X1	12580	0.813	20.64	0.781	19.85	57
H458951R91	M12600LA 902A1	0.844	21.43	0.751	19.08	58
70228152	M12649	0.844	21.43	0.720	18.29	58
70927437	LM12749	0.866	22.00	0.610	15.49	59
71127426	13600LA 902A1	1.500	38.10	0.750	19.05	60
70937209	13685	1.500	38.10	0.750	19.05	60
70248357	13686	1.500	38.10	1.031	26.20	60
70227846	13687	1.500	38.10	0.750	19.05	60
7445-10	14116	1.190	30.23	0.771	19.58	61
K1888	14117A	1.181	30.00	0.771	19.58	61
N115HS	14118A	1.181	30.00	0.771	19.58	61
831335M1	14120	1.190	30.23	1.052	26.72	61
K1859	14120A	1.181	30.00	1.052	26.72	61
831043M1	14123 AA	1.250	31.75	1.052	26.72	61
K2127	14123A	1.250	31.75	1.052	26.72	61
757088	14124	1.250	31.75	0.771	19.58	61
850533M1	14125A	1.250	31.75	0.771	19.58	61
35A9860	14131	1.312	33.32	0.771	19.58	61
831133M1	14136 AA	1.375	34.93	1.052	26.72	61

\* Use the Group Number to reference the  
Cups and Cones Interchange Section E-3





# Tapered Roller Bearings Cones

Listed in Ascending Order by Manufacturer Part No.

Cones (cont.)						
AGCO Part No.	Manufacturer Part No.	A		B		Group No.*
		Interior Diameter (in)	(mm)	Cone Width (in)	(mm)	
70211999	14137A	1.375	34.93	0.771	19.58	61
70209889	14138A	1.375	34.93	0.771	19.58	61
74253254	14139	1.377	34.98	0.771	19.58	61
70225608	15101	1.000	25.40	0.813	20.64	62
72162540	15102	1.000	25.40	0.813	20.64	62
70604923	15112	1.125	28.58	0.813	20.64	62
WZ6862	15113	1.125	28.58	0.813	20.64	62
850179M1	15113	1.125	28.58	0.813	20.64	62
70517087	15113	1.125	28.58	0.813	20.64	62
834512M1	15116	1.186	30.11	0.813	20.64	62
15576X	15117	1.181	30.00	0.813	20.64	62
70209926	15118	1.190	30.21	0.813	20.64	62
AG705448	15120	1.189	30.20	0.813	20.64	62
70209985	15120	1.190	30.21	0.813	20.64	62
70230666	15120	1.190	30.21	0.813	20.64	62
350351X1	15123	1.250	31.75	0.750	19.05	62
834501M1	15125	1.250	31.75	0.813	20.64	62
70323297	15126	1.250	31.75	0.813	20.64	62
195746M1	15385	0.875	22.23	0.890	22.61	63
603610A	15578	1.000	25.40	0.687	17.45	64
70210117	15578	1.000	25.40	0.688	17.46	64
712026	16137	1.375	34.93	0.813	20.64	65
70541938	16150	1.500	38.10	0.813	20.64	65
74253353	17886	1.692	42.98	0.812	20.62	66
983080	18685	1.750	44.45	0.688	17.46	67
983081	18690	1.813	46.04	0.688	17.46	67
983088	18790	2.000	50.80	0.688	17.46	68
7445-45	19150	1.500	38.10	0.650	16.51	69
658139M1	19138	1.377	34.98	0.650	16.52	69
983120	22778	1.625	41.28	1.063	27.00	70
10A6287	22780	1.688	42.86	1.063	27.00	70
70242911	23690	1.375	34.93	1.063	27.00	71
70931010	23691	1.378	35.00	1.063	27.00	71
850182M1	24780	1.625	41.28	0.906	23.00	72
70225633	25570	1.438	36.51	1.000	25.40	73
70929161	25572	1.500	38.10	1.000	25.40	73
7713167	25577	1.688	42.88	1.000	25.40	73
AG703998	25580	1.750	44.45	1.000	25.40	73
70210008	25580	1.750	44.45	1.000	25.40	73
11300	25581	1.750	44.45	1.000	25.40	73
X11300	25581	1.750	44.45	1.000	25.40	73

\* Use the Group Number to reference the  
Cups and Cones Interchange Section E-3



# Tapered Roller Bearings Cones

Listed in Ascending Order by Manufacturer Part No.

Cones (cont.)						
AGCO Part No.	Manufacturer Part No.	A Interior Diameter		B Cone Width		Group No.*
		(in)	(mm)	(in)	(mm)	
7445-72	25583	1.750	44.45	0.945	24.00	73
74253936	25584	1.771	44.98	1.000	25.40	73
AG605248	25590	1.796	45.62	1.000	25.40	73
SNYYB-335	25590	1.796	45.62	1.000	25.40	73
701114M1	25590	1.796	45.62	1.000	25.40	73
70228509	25877	1.375	34.93	0.969	24.61	74
70227521	25878	1.375	34.93	0.969	24.61	74
10A21642	25880	1.437	36.49	0.969	24.61	74
70047751	26878	1.500	38.10	1.000	25.40	75
W20P4307	26880	1.562	39.67	1.000	25.40	75
70209899	26882	1.625	41.28	1.000	25.40	75
74254984	26884	1.688	42.88	1.000	25.40	75
124X59	26885	1.625	41.28	1.000	25.40	75
833643M1	26886	1.688	42.88	1.000	25.40	75
1881931M91	27687	3.250	82.55	1.000	25.40	76
894776M1	4T-27687	3.251	82.58	1.003	25.48	76
190461M1	27690	3.281	83.35	1.000	25.40	76
1861105M1	27695	3.346	84.98	1.000	25.40	76
Y800433	27875	1.375	34.93	0.933	23.70	77
713412	27880	1.500	38.10	0.933	23.70	77
WKA5014	28580	2.000	50.80	1.000	25.40	78
AG719857	28678	2.000	50.80	0.968	24.59	79
157168A	28678	2.000	50.80	0.969	24.61	79
713156	28680	2.188	55.56	0.969	24.61	79
AG713789	28682	2.220	56.38	1.000	25.40	79
831341M1	28682	2.250	57.15	0.969	24.61	79
71119323	28985	2.375	60.33	1.000	25.40	80
700706039	28990	2.440	61.98	0.969	24.61	80
15612	28995	2.470	62.74	1.000	25.40	80
70929620	29580	2.362	60.00	1.000	25.40	81
834830M1	4T-29582	2.362	60.00	1.000	25.40	81
10A20106	29585	2.500	63.50	1.000	25.40	81
70253499	29590	2.625	66.68	1.000	25.40	81
AG705848	29675	2.750	69.85	1.000	25.40	82
833638M1	29675	2.750	69.85	1.000	25.40	82
831343M2	4T-29685	2.875	73.03	1.000	25.40	82
15871	LM29700LA 902A1	1.500	38.10	0.720	18.29	83
70555361	LM29749	1.500	38.10	0.720	18.29	83
700001838	30204	0.787	20.00	0.551	14.00	84
700001840	30205A	0.984	25.00	0.591	15.00	85
74253274	31593	1.375	34.93	1.125	28.58	86

\* Use the Group Number to reference the  
Cups and Cones Interchange Section E-3



# Tapered Roller Bearings Cones

Listed in Ascending Order by Manufacturer Part No.

Cones (cont.)						
AGCO Part No.	Manufacturer Part No.	A		B		Group No.*
		Interior Diameter (in)	(mm)	Cone Width (in)	(mm)	
BA5008B	31594	1.375	34.93	1.125	28.58	86
AG705874	31597	1.437	36.50	1.125	28.58	86
72160241	31597	1.438	36.51	1.125	28.58	86
AG028024	33225	2.250	57.15	1.188	30.16	87
700703795	33251	2.500	63.50	1.188	30.16	87
14309X	33262	2.625	66.68	1.188	30.16	87
504227M1	33275	2.750	69.85	1.188	30.16	87
AG705942	33281	2.812	71.42	1.188	30.16	87
983326	33281	2.813	71.44	1.188	30.16	87
831733M1	33287	2.875	73.03	1.188	30.16	87
74255185	33885	1.750	44.45	1.125	28.58	88
70061087	33889	2.000	50.80	1.125	28.58	88
70931618	33891	2.063	52.39	1.125	28.58	88
74254801	33895	2.125	53.98	1.125	28.58	88
AG707333	34300	3.000	76.20	0.906	23.00	89
10A8440	34301	3.000	76.20	0.906	23.00	89
70619872	34306	3.062	77.77	0.906	23.00	89
983367	35176	1.750	44.45	0.906	23.00	90
185251M1	37425	4.250	107.95	0.844	21.44	91
74255217	39250	2.500	63.50	0.866	22.00	92
70933165	39573	2.000	50.80	1.188	30.16	93
70619873	39575	2.000	50.80	1.188	30.16	93
74254258	39580	2.250	57.15	1.188	30.16	93
165759A	39581	2.250	57.15	1.188	30.16	93
74253787	39585	2.500	63.50	1.188	30.16	93
70930972	39586	2.559	65.00	1.218	30.92	93
73007119	39590	2.625	66.68	1.188	30.16	93
AG517256	42350	3.500	88.90	1.141	28.97	94
10P3627	42350	3.500	88.90	1.141	28.97	94
983431	42375	3.750	95.25	1.141	28.97	94
70929667	42375A	3.750	95.25	1.141	28.97	94
AG706729	42381	3.812	96.82	1.141	28.97	94
771130M1	42381	3.814	96.86	1.141	28.97	94
AG714654	42687	3.000	76.20	1.220	31.00	95
700720334	42687	3.000	76.20	1.220	31.00	95
70239063	42688	3.000	76.20	1.221	31.00	95
700720518	42690	3.062	77.77	1.220	31.00	95
10P2421	43125	1.250	31.75	0.948	24.07	96
29776X	43132	1.313	33.34	0.948	24.07	96
71326257	L44600LA	1.000	25.40	0.580	14.73	97
SN776	L44643	1.000	25.40	0.580	14.73	97

\* Use the Group Number to reference the  
Cups and Cones Interchange Section E-3



# Tapered Roller Bearings Cones

Listed in Ascending Order by Manufacturer Part No.

Cones (cont.)						
AGCO Part No.	Manufacturer Part No.	A		B		Group No.*
		Interior Diameter (in)	(mm)	Cone Width (in)	(mm)	
70341230	L44643	1.000	25.40	0.580	14.73	97
70937219	L44649	1.063	27.00	0.580	14.73	97
70329358	45284	2.000	50.80	1.219	30.96	98
70080730	45285	2.000	50.80	1.219	30.96	98
AG714814	45285	2.000	50.80	1.219	30.96	98
AG705358	45287	2.125	54.00	1.219	30.96	98
AG714655	45290	2.250	57.15	1.219	30.96	98
70073112	45290	2.250	57.15	1.219	30.96	98
70244167	45291	2.250	57.15	1.219	30.96	98
16031X	46162	1.625	41.28	1.250	31.75	99
983527	47681	3.188	80.96	1.313	33.34	100
AG028451	47686	3.250	82.55	1.313	33.34	100
832590M1	47686	3.250	82.55	1.313	33.34	100
983530	47687	3.250	82.55	1.313	33.34	100
843617M1	47688	3.281	83.34	1.313	33.34	100
AG705959	48290	5.000	127.00	1.500	38.10	101
7712656	48290	5.000	127.00	1.500	38.10	101
AG519693	48393	5.375	136.53	1.562	39.67	102
700710380	48385	5.250	133.35	1.563	39.69	102
843036M1	4T-LM48548A	1.375	34.93	0.720	18.29	103
70926702	LM48500LA 902A1	1.375	34.93	0.720	18.29	103
SN1602	LM48548	1.375	34.93	0.720	18.29	103
831078M1	LM48548	1.375	34.93	0.720	18.29	103
70930839	52387	3.875	98.43	1.422	36.12	104
AG604447	52400A	4.000	101.60	1.421	36.09	104
195163M1	53177	1.750	44.45	1.114	28.30	105
983617	53178	1.750	44.45	1.114	28.30	105
AG705909	55176C	1.750	44.45	1.059	26.90	106
8050676	55200	2.000	50.80	1.059	26.91	106
167323A	56425	4.250	107.95	1.437	36.50	107
1299426	56425	4.250	107.95	1.437	36.50	107
AG705359	59201	2.000	50.80	1.437	36.50	108
AG711900	64450	4.500	114.30	1.625	41.28	109
504225M1	65237	2.375	60.33	1.750	44.45	110
AG706906	65237-A	2.375	60.33	1.750	44.45	110
17050	LM67000LA	1.250	31.75	0.660	16.76	112
70531251	LM67000LA 902A1	1.250	31.75	0.660	16.76	112
SN1606	LM67048	1.250	31.75	0.660	16.76	112
WR15490	LM67048	1.250	31.75	0.660	16.76	112
SN1606	LM67048	1.250	31.75	0.660	16.76	112
AG605209	LM67048	1.250	31.75	0.660	16.76	112

\* Use the Group Number to reference the  
Cups and Cones Interchange Section E-3



# Tapered Roller Bearings Cones

Listed in Ascending Order by Manufacturer Part No.

Cones (cont.)						
AGCO Part No.	Manufacturer Part No.	A Interior Diameter		B Cone Width		Group No.*
		(in)	(mm)	(in)	(mm)	
70327382	LM67048	1.250	31.75	0.660	16.76	112
71314481	67390	5.250	133.35	1.813	46.04	113
7713878	67391	5.250	133.35	1.813	46.04	113
70927435	L68149	1.378	34.99	0.660	16.76	115
AG012658	68462	4.625	117.48	1.250	31.75	116
SNYYB-330	JL69349	1.496	38.00	0.699	17.76	117
70582092	JL69349	1.496	38.00	0.699	17.76	117
AG059088	72200C	2.000	50.80	1.291	32.79	118
72162244	72212C	2.125	53.98	1.291	32.79	118
AG520699	74550	5.500	139.70	1.875	47.63	119
AG028446	78214	2.125	53.98	1.308	33.22	120
AG028448	78225	2.250	57.15	1.308	33.22	120
843656M1	HM81649	0.630	16.00	0.827	21.00	121
8050270	M84548	1.000	25.40	0.765	19.43	122
4319391	M86647	1.125	28.58	0.844	21.43	123
AG703846	M86649	1.188	30.16	0.844	21.43	123
834580M1	M86649	1.188	30.16	0.844	21.43	123
832926M1	M88048	1.313	33.34	0.875	22.23	124
831487M1	HM88542	1.250	31.75	1.094	27.78	125
70933015	HM88547	1.313	33.34	1.094	27.78	125
70246941	HM88630	1.000	25.40	1.000	25.40	126
7710114	HM88649	1.375	34.93	1.000	25.40	126
70244162	HM89446	1.375	34.93	1.125	28.58	127
165761A	HM89448	1.438	36.51	1.125	28.58	127
70927953	HM89449	1.437	36.50	1.125	28.58	127
70927270	LM102949	1.781	45.24	0.780	19.81	128
X14867	JLM104948	1.968	50.00	0.847	21.50	129
983941	LM104947A	1.968	50.00	0.875	22.23	129
70929742	LM104949	2.000	50.80	0.875	22.23	129
4303274	M201047	1.563	39.69	0.870	22.10	130
71162781	JM205149	1.969	50.00	1.102	28.00	131
70928284	JM207049	2.165	55.00	1.142	29.00	132
70928064	JH211749	2.559	65.00	1.516	38.50	133
70087027	HM212046	2.500	63.50	1.510	38.35	134
70931012	HM212049	2.625	66.68	1.510	38.35	134
1P-5419	JH217249	3.346	85.00	1.811	46.00	135
72162346	HM218238	3.150	80.00	1.575	40.00	136
70928056	HM218248	3.542	90.00	1.575	40.00	136
843655M1	L225849	5.000	127.00	1.031	26.20	137
31-1657260	L305649	2.000	50.80	0.719	18.26	138
70931025	JH307749	2.165	55.00	1.535	39.00	139

\* Use the Group Number to reference the  
Cups and Cones Interchange Section E-3



# Tapered Roller Bearings Cones

Listed in Ascending Order by Manufacturer Part No.

Cones (cont.)						
AGCO Part No.	Manufacturer Part No.	A		B		Group No.*
		Interior Diameter (in)	(mm)	Cone Width (in)	(mm)	
72163082	L319249	3.750	95.25	0.843	21.41	140
70177358	H414242	2.625	66.68	1.625	41.28	141
1612560M1	4T-JH415647	2.953	75.00	2.008	51.00	142
SN1935	LM501349	1.625	41.28	0.780	19.81	143
WR15488	LM501349	1.625	41.28	0.780	19.81	143
74254700	LM501349	1.625	41.28	0.780	19.81	143
70643276	HH506348	1.938	49.21	1.750	44.45	144
834828M1	JLM506849	2.165	55.00	0.906	23.00	145
SNFK310062	JLM506849	3.281	83.34	0.906	23.11	145
AG713020	JLM506849	3.281	83.34	0.906	23.11	145
700723853	JLM506849A	2.165	55.00	0.905	23.00	145
70933017	JLM508748	2.362	60.00	0.945	24.00	146
AG843470	JM511946	2.559	65.00	1.102	28.00	147
70929399	JM511946	2.559	65.00	1.102	28.00	147
70927347	JM515649	3.150	80.00	1.339	34.00	148
984172	HM516442	3.000	76.20	1.563	39.69	149
984173	HM516447	3.188	80.96	1.563	39.69	149
70929726	HM516448	3.250	82.55	1.563	39.69	149
10A21422	HM516449C	3.250	82.55	1.563	39.69	149
834815M1	JHM516849	3.347	85.00	1.496	38.00	150
AG027643	LM522548	4.330	110.00	1.375	34.93	151
700715743	JHM522649	4.330	110.00	1.811	46.00	152
72527672	JHM534149	6.692	170.00	1.496	38.00	153
3D-9132	LM545849	9.250	234.95	1.937	49.20	154
SN3683	LM603049	1.781	45.24	0.781	19.84	155
833095M1	LM603049	1.781	45.24	0.781	19.84	155
843857M1	4T-L610549	2.500	63.50	0.753	19.13	156
71162724	JM612949	2.756	70.00	1.142	29.00	157
70240364	LM613449	2.750	69.85	0.866	22.00	158
1054560M1	JLM704649	1.969	50.00	0.866	22.00	159
70930424	JLM710949C	2.559	65.00	0.906	23.00	160
35A8235	LL713049	2.750	69.85	0.531	13.49	161
AG028803	JLM714149	2.952	75.00	0.984	25.00	162
70928858	JLM714149	2.953	75.00	0.984	25.00	162
70930884	JM714249	2.953	75.00	1.161	29.50	163
834594M1	H715332	2.375	60.33	1.813	46.04	164
843351M2	H715348	3.062	77.77	1.813	46.04	164
4336119	JM716648	3.347	85.00	1.142	29.00	165
834950M1	JM716649	3.347	85.00	1.142	29.00	165
70937181	JM719149	3.740	95.00	1.339	34.00	166
843690M1	JHM720249	3.937	100.00	1.575	40.00	167

\* Use the Group Number to reference the  
Cups and Cones Interchange Section E-3



# Tapered Roller Bearings Cones

Listed in Ascending Order by Manufacturer Part No.

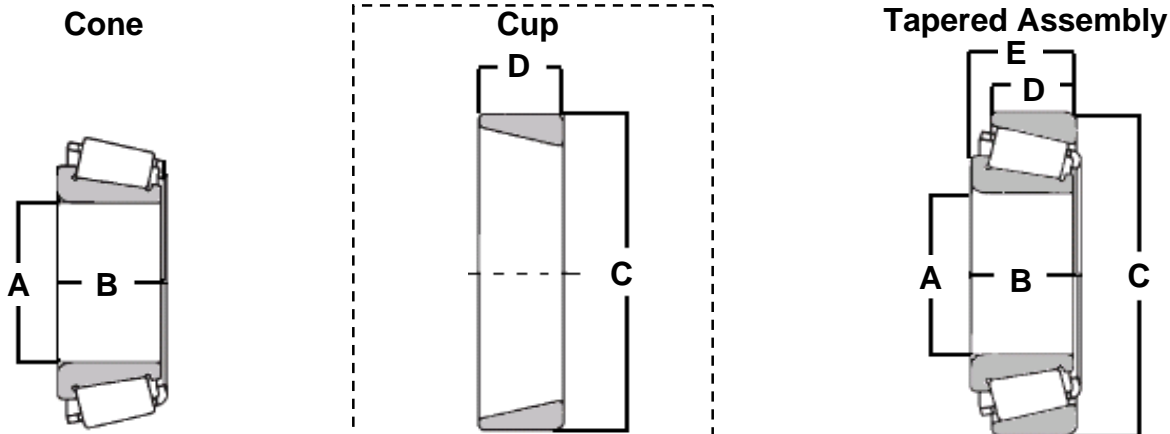
Cones (cont.)						
AGCO Part No.	Manufacturer Part No.	A		B		Group No.*
		Interior Diameter (in)	(mm)	Cone Width (in)	(mm)	
700703802	JM720249	3.937	100.00	1.378	35.00	168
AG720088	JM720249	3.937	100.00	1.378	35.00	168
72162895	HM801346	1.500	38.10	1.125	28.58	169
70932973	HM801349	1.594	40.48	1.125	28.58	169
70927090	M802048	1.625	41.28	1.010	25.65	170
831765M1	HM803145	1.625	41.28	1.156	29.37	171
843034M1	HM803146	1.625	41.28	1.156	29.37	171
70929834	HM803149	1.750	44.45	1.156	29.37	171
70937161	M804049	1.875	47.63	1.000	25.40	172
833296M1	4T-HM804840	1.625	41.28	1.156	29.37	173
AG707120	HM804842	1.750	44.45	1.156	29.36	173
12672	HM804843	1.750	44.45	1.156	29.36	173
AG026478	HM804843	1.750	44.45	1.156	29.36	173
AG028807	HM804846	1.875	47.63	1.156	29.36	173
15306	HM804846	1.875	47.63	1.156	29.36	173
7445-29	HM804848	1.906	48.41	1.156	29.36	173
984335	HM804849	1.906	48.41	1.156	29.37	173
843381M1	LM806649	2.125	54.00	0.750	19.05	174
72163098	HM607098	2.125	54.00	1.437	36.50	175
832588M1	HM807040	1.750	44.45	1.437	36.50	175
1295784	HM807044	1.938	49.21	1.437	36.50	175
70933773	JHM807045	1.969	50.00	1.417	36.00	175
AG705243	HM807046	2.000	50.80	1.437	36.50	175
70934840	HM807046	2.000	50.80	1.437	36.50	175
843035M1	4T-JLM813049	2.756	70.00	0.984	25.00	176
843486M1	L812148	2.626	66.69	0.696	17.68	177
78001335	HM813841	2.375	60.33	1.437	36.50	178
AG026479	HM813842	2.500	63.50	1.437	36.50	178
AG604443	HM813846	2.750	69.85	1.437	36.50	178
70927949	L814749	3.000	76.20	0.750	19.05	179
AG706949	LM814849	3.062	77.77	1.000	25.40	180
833241M1	LM814849	3.063	77.79	1.000	25.40	180
AG706721	JM822049	4.330	110.00	1.378	35.00	181
70927350	JM822049	4.331	110.00	1.378	35.00	181
831888M1	HM903249	1.750	44.45	1.125	28.58	182
1850090M92	HM903249	1.750	44.45	1.125	28.58	182
1850090V92	HM903249	1.750	44.45	1.125	28.58	182
74996043	M903345	1.625	41.28	0.937	23.80	183

\* Use the Group Number to reference the  
Cups and Cones Interchange Section E-3



# Tapered Roller Bearings Cups

Listed in Ascending Order by Manufacturer Part No.



AGCO offers a wide range of bearings from a number of manufacturers. These Manufacturer Part Numbers are listed for reference only. The part number will not guarantee a specific manufacturer.

Cups						
AGCO Part No.	Manufacturer Part No.	C		D		Group No.*
		Outside Diameter (in)	(mm)	Cup Width (in)	(mm)	
760907M1	4T-6	1.750	44.45	0.375	9.53	1
70207570	7A	1.935	49.15	0.875	22.23	1
760907M1	6CE	1.934	49.12	0.750	19.05	2
74993779	13C	1.938	49.23	0.453	11.51	3
TG8537	14C	2.250	57.15	0.673	17.09	3
70604080	14XS	2.247	57.07	0.673	17.09	3
HB5019	24-BC	2.186	55.52	0.469	11.91	4
JT9201	32C	2.405	61.09	0.469	11.91	5
72090692	36X	2.531	64.29	0.515	13.08	6
72090693	38A	2.750	69.85	0.920	23.37	6
SN3062	332	3.150	80.00	0.702	17.83	7
WF93	332	3.150	80.00	0.702	17.83	7
832033M1	352	3.548	90.12	0.859	21.81	8
70211608	354A	3.347	85.00	0.688	17.46	8
350356X1	362A	3.500	88.90	0.650	16.51	9
588230M1	4T-362	3.544	90.03	0.625	15.88	9
832032M1	363	3.543	90.00	0.787	20.00	9
AG713779	382	3.875	98.43	0.701	17.81	10
70210241	382	3.875	98.43	0.702	17.83	10
70212037	382A	3.813	96.84	0.625	15.88	10
70254872	382B	3.813	96.84	0.625	15.88	10
982080	383A	3.937	100.00	0.702	17.83	10
834049M1	394A	4.331	110.00	0.741	18.82	11
70209897	394AS	4.331	110.00	0.741	18.82	11
831354M1	453A	4.250	107.95	0.875	22.23	12
300975M1	453X	4.125	104.78	0.969	24.60	12
72507599	472	4.724	120.00	0.954	24.24	13
6672656	493	5.375	136.53	0.875	22.23	14

\* Use the Group Number to reference the Cups and Cones Interchange Section E-3





# Tapered Roller Bearings Cups

Listed in Ascending Order by Manufacturer Part No.

Cups (cont.)						
AGCO Part No.	Manufacturer Part No.	C		D		Group No.*
		Outside Diameter (in)	(mm)	Cup Width (in)	(mm)	
AG604153	493	5.375	136.53	0.875	22.23	14
7714371	493	5.375	136.53	0.875	22.23	14
70238935	492A	5.250	133.35	0.875	22.23	14
843681M1	522	4.000	101.60	1.063	26.99	15
AG721065	552A	4.875	123.83	1.187	30.16	16
KB5012B	563	5.000	127.00	1.125	28.58	17
164911A	563X	5.000	127.00	1.125	28.58	17
831921M1	572	5.512	139.99	1.125	28.58	18
KB5011	4T-572	5.236	132.99	1.125	28.58	18
70253375	574	5.512	139.99	1.125	28.58	18
588242M1	592A	6.000	152.40	1.188	30.16	19
AG706124	592A	6.000	152.40	1.188	30.16	19
107615A	592XE	5.813	147.64	1.031	26.19	19
DB5011	612	4.750	120.65	1.250	31.75	20
UT9007	632	5.375	136.53	1.250	31.75	21
70937175	633	5.125	130.18	1.250	31.75	21
163609A	672	6.625	168.28	1.187	30.16	22
982374	742	5.909	150.09	1.437	36.51	23
7714322	743	5.906	150.00	1.378	35.00	23
700706034	752	6.375	161.93	1.500	38.10	24
70930868	752AA	6.375	161.93	1.500	38.10	24
700715744	792	8.125	206.38	1.375	34.93	25
70242875	1328	0.875	22.23	0.563	14.29	26
7710064	2520	2.615	66.42	0.813	20.64	27
70242850	2523	2.750	69.85	0.750	19.05	27
W9112480	2525	2.836	72.00	0.750	19.05	27
70525977	2631	2.615	66.42	0.750	19.05	28
SNRT019552	2720	3.000	76.20	0.750	19.05	29
70209987	2720	3.000	76.20	0.750	19.05	29
70227678	2729	3.000	76.20	0.750	19.05	29
208285M1	2735X	2.875	73.00	0.750	19.05	29
74253276	2820	2.875	73.00	0.687	17.45	30
BB5014A	4T-2820	2.875	73.00	0.687	17.46	30
71143452	2924	3.347	85.00	0.813	20.64	31
70213010	3120	2.859	72.63	0.938	23.81	32
70931013	3126	2.836	72.03	0.938	23.81	32
KT7108	3320	3.156	80.16	0.937	23.80	33
10A10557	3329	3.218	81.74	0.937	23.80	33
982602	3339	3.151	80.04	0.937	23.81	33
71162777	K3420	3.125	79.38	0.938	23.81	34
UT9034	3422	3.156	80.17	0.937	23.81	34

\* Use the Group Number to reference the  
Cups and Cones Interchange Section E-3



# Tapered Roller Bearings Cups

Listed in Ascending Order by Manufacturer Part No.

Cups (cont.)						
AGCO Part No.	Manufacturer Part No.	C		D		Group No.*
		Outside Diameter (in)	(mm)	Cup Width (in)	(mm)	
AG720159	3525	3.437	87.30	0.937	23.80	35
22246X	3525	3.438	87.31	0.938	23.81	35
982625	3526	3.437	87.31	0.937	23.81	35
70927956	3620	2.438	61.91	0.938	23.81	36
831363M1	3720	3.672	93.26	0.938	23.81	37
831363V1	3720	3.672	93.26	0.938	23.81	37
831363M1	4T-3720	3.672	93.26	0.938	23.81	37
70659149	3730	3.672	93.26	0.938	23.81	37
AG705325	3732	3.875	98.43	0.937	23.80	37
70928287	3733	3.938	100.00	0.938	23.81	37
71377534	3820	3.375	85.73	0.938	23.81	38
831253M1	3820	3.375	85.73	0.938	23.81	38
70210012	3821	3.375	85.73	0.938	23.81	38
70257797	3822RB	3.475	88.27	0.688	17.46	38
AG604446	3920	4.437	112.70	0.937	23.80	39
195160V1	3920	4.438	112.71	0.938	23.81	39
195160M1	3920	4.438	112.71	0.938	23.81	39
195160M1	3920	4.438	112.71	0.938	23.81	39
982685	3925	4.437	112.71	0.937	23.81	39
71377722	4335	3.562	90.47	1.312	33.32	40
982709	4335	3.563	90.49	1.313	33.34	40
843631M2	4535	4.125	104.78	1.313	33.34	41
982729	5335	4.063	103.19	1.438	36.51	42
70068847	5535	4.813	122.24	1.438	36.51	43
982754	5735	5.344	135.73	1.375	34.93	44
74917194	A6157	1.574	39.98	0.375	9.53	45
10A14364	A6162	1.625	41.28	0.343	8.71	45
AG721070	6420	5.875	149.23	1.750	44.45	46
72162537	6535	6.375	161.93	1.687	42.85	47
843685M2	6535	6.375	161.93	1.687	42.86	47
70937173	6535	6.375	161.93	1.687	42.86	47
70930870	6536	6.375	161.93	1.688	42.86	47
1J-2860	6535#CA	6.375	161.93	1.687	42.86	47
700703796	9121	6.000	152.40	1.250	31.75	48
78551332	9320	7.000	177.80	1.375	34.93	49
700706029	9321	6.750	171.45	1.250	31.75	49
7446-12	2420	2.687	68.25	0.687	17.45	50
70235438	2421	2.688	68.26	0.875	22.23	50
50104	7196	1.969	50.00	0.375	9.53	52
10A6714	7204	2.047	52.00	0.500	12.70	52
70211897	9195	1.938	49.23	0.563	14.29	53

\* Use the Group Number to reference the  
Cups and Cones Interchange Section E-3



# Tapered Roller Bearings Cups

Listed in Ascending Order by Manufacturer Part No.

Cups (cont.)						
AGCO Part No.	Manufacturer Part No.	C		D		Group No.*
		Outside Diameter (in)	(mm)	Cup Width (in)	(mm)	
70209984	9196	1.938	49.23	0.688	17.46	53
70336914	LM11710	1.570	40.00	0.420	10.67	54
12349	K85624	1.786	45.36	0.295	7.49	55
70328002	LM11910	1.781	45.24	0.438	12.07	55
3636050M1	LM11910	1.781	45.24	0.475	12.07	55
SN126	LM11910	1.780	45.24	0.480	12.07	55
AG608602	LM11910	1.780	45.24	0.480	12.07	55
8050445	LM11910XL	1.781	45.24	0.475	12.07	55
70229045	12303	3.031	77.00	0.469	11.91	56
HB5026	12520	1.938	49.23	0.625	15.88	57
70228153	M12610	1.969	50.00	0.550	14.00	58
70927436	LM12711	1.810	45.97	0.475	12.07	59
70526975	13620	2.717	69.00	0.594	15.08	60
AG720078	13621	2.717	69.00	0.593	15.06	60
70937210	13621	2.717	69.00	0.594	15.08	60
70210551	14274	2.717	69.00	0.625	15.88	61
70209890	14276	2.717	69.00	0.625	15.88	61
74253253	14276D	2.717	69.00	1.500	38.10	61
70217567	14299	3.062	77.77	0.625	15.88	61
70241380	15245	2.441	62.00	0.563	14.30	62
70241380V	15245	2.441	62.00	0.563	14.30	62
70241380	15245	2.441	62.00	0.563	14.29	62
AG705447	15250	2.500	63.50	0.625	15.88	62
70209983	15250	2.500	63.50	0.625	15.88	62
WHB5004	15250X	2.500	63.50	0.625	15.88	62
70935129	15520	2.250	57.15	0.531	13.50	64
15951X	15520	2.250	57.15	0.531	13.50	64
70210116	15523	2.375	60.33	0.625	15.88	64
603610A	15523RB	2.375	60.33	0.625	15.88	64
712018	16282	2.835	72.00	0.561	14.24	65
70541937	16284	2.844	72.24	0.625	15.88	65
74253370	4T-17831	3.150	80.00	0.594	15.08	66
983079	18620	3.125	79.38	0.531	13.50	67
983085	18720	3.346	85.00	0.531	13.50	68
EB5004	18724	3.500	88.90	0.531	13.50	68
7446-35	19268	2.687	68.25	0.468	11.89	69
658140M1	19283	2.835	72.00	0.563	14.29	69
10A6286	22720	3.250	82.55	0.813	20.64	70
983119	22721	3.250	82.55	0.813	20.64	70
70931011	23620	2.875	73.00	0.875	22.23	71
70242910	23621	2.875	73.00	0.875	22.23	71

\* Use the Group Number to reference the  
Cups and Cones Interchange Section E-3



# Tapered Roller Bearings Cups

Listed in Ascending Order by Manufacturer Part No.

Cups (cont.)						
AGCO Part No.	Manufacturer Part No.	C		D		Group No.*
		Outside Diameter (in)	(mm)	Cup Width (in)	(mm)	
850181M1	24720	3.000	76.20	0.688	17.46	72
AG604111	25520	3.265	82.93	0.750	19.05	73
70936040	25523	3.265	82.93	0.875	22.23	73
10A8410	25527	3.346	85.00	0.875	22.23	73
31-1743560	25519	3.250	82.55	0.750	19.05	73
17201X	25520	3.265	82.93	0.750	19.05	73
74253291	25521	3.270	83.06	0.750	19.05	73
50261M1	25522	3.270	83.06	0.753	19.11	73
70225634	25530RB	3.313	84.14	0.750	19.05	73
15854X	25820	2.875	73.00	0.750	19.05	74
712208	25821	2.875	73.00	0.750	19.05	74
AG604112	25821	2.875	73.00	0.750	19.05	74
70230068	25821	2.875	73.00	0.750	19.05	74
712208	25821	2.875	73.00	0.750	19.05	74
BB5013A	26820	3.156	80.17	0.813	20.64	75
70042887	26822	3.125	79.38	0.750	19.05	75
70927959	26822A	3.125	79.38	0.750	19.05	75
768040M1	26822B	3.125	79.38	0.750	19.05	75
70235089	26823	3.000	76.20	0.813	20.64	75
658138M1	26824	3.150	80.00	0.750	19.05	75
22020X	27620	4.938	125.41	0.781	19.85	76
800367	27820	3.151	80.04	0.729	18.51	77
74253369	27820D	3.151	80.04	0.729	18.51	77
831547M1	28521	3.625	92.08	0.781	19.85	78
W9112410	28521	3.625	92.08	0.781	19.85	78
70244271	28621	3.813	96.84	0.766	19.45	79
AG713777	28622	3.844	97.63	0.766	19.45	79
831376M1	28622	3.844	97.63	0.766	19.45	79
700706038	28920	4.000	101.60	0.781	19.85	80
15611	28921	3.937	100.00	0.781	19.85	80
70539112	29520	4.250	107.95	0.750	19.05	81
832930M1	29521	4.331	110.00	0.750	19.05	81
AG705847	29630	4.750	120.65	0.750	19.05	82
AG706604	29620	4.438	112.71	0.750	19.05	82
833639M1	29620	4.438	112.71	0.750	19.05	82
74255821	4T-LM29710	2.563	65.09	0.550	13.97	83
70555360	LM29710	2.563	65.09	0.550	13.97	83
700001839	30204A	1.850	47.00	0.472	12.00	84
700001841	30205A	2.047	52.00	0.512	13.00	85
AG705875	31520	3.000	76.20	0.937	23.80	86
BB5008B	31520	3.000	76.20	0.937	23.81	86

\* Use the Group Number to reference the  
Cups and Cones Interchange Section E-3



# Tapered Roller Bearings Cups

Listed in Ascending Order by Manufacturer Part No.

Cups (cont.)						
AGCO Part No.	Manufacturer Part No.	C		D		Group No.*
		Outside Diameter (in)	(mm)	Cup Width (in)	(mm)	
72160240	31521	3.000	76.20	0.938	23.81	86
107610A	33461	4.625	117.48	0.937	23.81	87
504226M1	33462	4.625	117.48	0.938	23.81	87
700703794	33472	4.724	120.00	0.923	23.44	87
AG705943	33472	4.724	120.00	0.923	23.44	87
70061088	33821	3.750	95.25	0.875	22.23	88
AG707325	34478	4.781	121.44	0.687	17.46	89
73028644	34478	4.781	121.44	0.688	17.46	89
983368	35326	3.265	82.93	0.687	17.46	90
185252M1	37625	6.250	158.75	0.625	15.88	91
74255218	4T-39412	4.125	104.78	0.625	15.88	92
AG720158	39520	4.437	112.70	0.937	23.80	93
70933868	39520	4.438	112.71	0.938	23.81	93
843632M1	39521	4.437	112.70	0.937	23.80	93
AG517255	42584	5.843	148.41	0.843	21.41	94
833135M1	42584	5.844	148.43	0.844	21.43	94
AG706728	42584	5.844	148.43	0.844	21.43	94
833135M1	42584	5.844	148.43	0.844	21.43	94
700720336	42620	5.000	127.00	0.875	22.23	95
AG705355	42620	5.000	127.00	0.875	22.23	95
10P2422	43312	3.125	79.38	0.687	17.46	96
SN777	L44610	1.980	50.29	0.420	10.67	97
3636486M1	L44610	1.980	50.29	0.420	10.67	97
832190M1	L44610	1.980	50.29	0.420	10.67	97
70073111	45220	4.125	104.78	0.938	23.81	98
AG705630	45220	4.125	104.78	0.938	23.81	98
70659153	45221	4.125	104.78	1.188	30.16	98
AG028450	47620	5.250	133.35	1.031	26.19	100
74891163	47620	5.250	133.35	1.031	26.20	100
70061086	47620	5.250	133.35	1.031	26.20	100
983521	47620	5.250	133.35	1.031	26.20	100
983522	47620A	5.250	133.35	1.031	26.20	100
AG705960	48220	7.187	182.56	1.313	33.34	101
700710370	48320	7.500	190.50	1.312	33.32	102
AG519692	48320	7.500	190.50	1.313	33.34	102
834798M1	48320	7.500	190.50	1.313	33.34	102
SN1603	LM48510	2.563	65.09	0.550	13.97	103
70227666	LM48510	2.563	65.09	0.550	13.97	103
70227666V	LM48510	2.563	65.09	0.550	13.97	103
AG604448	52618	6.188	157.16	1.031	26.20	104
70181742	52618	6.188	157.16	1.031	26.20	104

\* Use the Group Number to reference the  
Cups and Cones Interchange Section E-3



# Tapered Roller Bearings Cups

Listed in Ascending Order by Manufacturer Part No.

Cups (cont.)						
AGCO Part No.	Manufacturer Part No.	C		D		Group No.*
		Outside Diameter (in)	(mm)	Cup Width (in)	(mm)	
17392A	53375	3.750	95.25	0.813	20.64	105
808345	55437	4.375	111.13	0.813	20.64	106
AG028806	55437	4.375	111.13	0.813	20.64	106
AG720145	55443	4.437	112.70	0.812	20.62	106
167323A	56662	6.625	168.28	1.062	26.97	107
AG705360	59412	4.125	104.78	1.125	28.58	108
AG711901	64700	7.000	177.80	2.369	60.16	109
AG706914	65500	5.000	127.00	1.375	34.93	110
504221M1	65500	5.000	127.00	1.375	34.93	110
983687	65501	5.000	127.00	1.375	34.93	110
501482E	66462	4.625	117.48	0.937	23.81	111
3636054M1	LM67010	2.328	59.13	0.465	11.81	112
70327997	LM67010	2.328	59.13	0.465	11.81	112
843778M1	LM67010	2.328	59.13	0.470	11.94	112
WR15493	LM67010	2.328	59.13	0.470	11.94	112
SN1605	LM67010	2.328	59.13	0.470	11.94	112
AG606918	LM67010	2.328	59.13	0.470	11.94	112
7713860	67322	7.750	196.85	1.500	38.10	113
70933953	67675	6.750	171.45	0.995	25.27	114
70927434	L68111	2.361	59.97	0.470	11.94	115
AG012666	68712	7.125	181.00	1.000	25.40	116
70582091	JL69310	2.480	63.00	0.532	13.50	117
SNYYB-332	JL69310	2.480	63.00	0.532	13.50	117
72162245	72487	4.875	123.83	1.000	25.40	118
AG520700	74850	8.500	215.90	1.375	34.93	119
AG028447	78551	5.513	140.03	0.926	23.52	120
843654M1	HM81610	1.850	47.00	0.630	16.00	121
8050262	M84510	2.250	57.15	0.580	14.73	122
834581M1	M86610	2.531	64.29	0.656	16.67	123
832927M1	M88010	2.688	68.26	0.688	17.46	124
831486M1	HM88510	2.875	73.00	0.906	23.00	125
EB5026A	HM88511	2.875	73.00	0.906	23.00	125
7710106	HM88610	2.844	72.23	0.781	19.84	126
212609M1	HM89410	3.000	76.20	0.906	23.02	127
70244195	HM89411	3.000	76.20	0.906	23.02	127
70927273	LM102910	2.891	73.43	0.620	15.75	128
14866	JLM104910	3.228	82.00	0.669	17.00	129
N14866	JLM104910	3.228	82.00	0.669	17.00	129
70932928	LM104911	3.250	82.55	0.650	16.51	129
70929740	LM104912	3.265	82.93	0.650	16.51	129
70929401	M201011	2.875	73.00	0.840	21.34	130

\* Use the Group Number to reference the  
Cups and Cones Interchange Section E-3



# Tapered Roller Bearings Cups

Listed in Ascending Order by Manufacturer Part No.

Cups (cont.)						
AGCO Part No.	Manufacturer Part No.	C		D		Group No.*
		Outside Diameter (in)	(mm)	Cup Width (in)	(mm)	
71162782	JM205110	3.543	90.00	0.906	23.00	131
70928285	JM207010	3.740	95.00	0.925	23.50	132
70928069	JH211710	4.724	120.00	1.260	32.00	133
70680631	HM212010	4.813	122.24	1.170	29.72	134
70634567	HM212011	4.813	122.24	1.170	29.72	134
AG723797	JH217210	5.906	150.00	1.496	38.00	135
1P-5420	JH217210#CA	5.906	150.00	1.496	38.00	135
72162345	HM218210	5.787	147.00	1.280	32.50	136
843653M1	L225810	6.688	169.86	0.813	20.64	137
31-1657250	L305610	3.187	80.96	0.563	14.29	138
843352M2	JH307710	4.331	110.00	1.260	32.00	139
70931024	JH307710	4.331	110.00	1.260	32.00	139
72163082	L319210	5.125	130.18	0.656	16.66	140
70937216	L319210	5.125	130.18	0.656	16.67	140
1612561M1	JH415610	5.709	145.00	1.654	42.00	142
SN1936	LM501310	2.891	73.43	0.580	14.73	143
WR15494	LM501310	2.891	73.43	0.580	14.73	143
74254699	LM501310	2.891	73.43	0.580	14.73	143
70247158	HH506311	4.500	114.30	1.420	36.07	144
834829M1	JLM506810	3.543	90.00	0.728	18.50	145
SNFK310063	JLM506810	3.543	90.00	0.728	18.50	145
AG713019	JLM506810	3.543	90.00	0.728	18.50	145
70933016	4T-JLM508710	3.740	95.00	0.748	19.00	146
70929396	JM511910	4.331	110.00	0.886	22.50	147
AG720015	JM511910	4.331	110.00	0.886	22.50	147
70927348	JM515610	5.118	130.00	1.122	28.50	148
70633711	HM516410	5.250	133.35	1.281	32.55	149
834816M1	JHM516810	5.512	140.00	1.240	31.50	150
AG027642	LM522510	6.299	160.00	1.062	26.99	151
700715745	JHM522610	7.087	180.00	1.496	38.00	152
72527674	JHM534110	9.055	230.00	1.220	31.00	153
3D-9133	LM545810#CA	12.375	314.33	1.437	36.51	154
SN3684	LM603011	3.063	77.79	0.594	15.08	155
833094M1	LM603011	3.063	77.79	0.594	15.08	155
70937206	LM603012	3.063	77.79	0.656	16.67	155
10A21845	LM603014	3.150	80.00	0.594	15.08	155
833847M1	LM603014	3.150	80.00	0.594	15.08	155
71162723	JM612910	4.528	115.00	0.906	23.00	157
70240289	LM613410	4.438	112.71	0.625	15.88	158
1054561M1	JLM704610	3.307	84.00	0.689	17.50	159
70930426	JLM710910	4.134	105.00	0.728	18.50	160

\* Use the Group Number to reference the  
Cups and Cones Interchange Section E-3



# Tapered Roller Bearings Cups

Listed in Ascending Order by Manufacturer Part No.

Cups (cont.)						
AGCO Part No.	Manufacturer Part No.	C		D		Group No.*
		Outside Diameter		Cup Width		
		(in)	(mm)	(in)	(mm)	
35A8236	LL713010	3.875	98.43	0.375	9.53	161
70928857	JLM714110	4.528	115.00	0.748	19.00	162
AG028804	JLM-714110	4.528	115.00	0.748	19.00	162
70930883	JM714210	4.724	120.00	0.984	25.00	163
833051M1	H715311	5.375	136.53	1.437	36.51	164
984264	H715311A	5.375	136.53	1.437	36.51	164
AG706710	H-715311PW-2	5.375	136.53	1.437	36.51	164
2D-9454	H715311PW2#CA	5.375	136.53	1.437	36.51	164
834951M1	JM716610	5.118	130.00	0.945	24.00	165
AG706213	JM716610	5.118	130.00	0.945	24.00	165
70937180	JM719113	5.906	150.00	1.063	27.00	166
U12092	JM719113	5.905	150.00	1.063	27.00	166
843691M1	JHM720210	6.299	160.00	1.260	32.00	167
AG720089	JM720210	6.102	154.99	1.102	28.00	168
700703800	JM720210	6.102	155.00	1.102	28.00	168
70932975	HM801310	3.250	82.55	0.906	23.01	169
6S-6031	4T-M802011	3.250	82.55	0.795	20.19	170
70927091	M802011	3.250	82.55	0.795	20.19	170
71160044	HM803110	3.500	88.90	0.906	23.02	171
70936041	HM803111	3.500	88.90	0.906	23.02	171
5P-9652	4T-M804010	3.500	88.90	0.750	19.05	172
70937162	M804010	3.500	88.90	0.750	19.05	172
AG026480	HM804810	3.750	95.25	0.906	23.01	173
831047M1	HM804810	3.750	95.25	0.906	23.02	173
843382M1	LM806610	3.500	88.90	0.531	13.49	174
831205M1	HM807010	4.125	104.78	1.125	28.58	175
AG706697	HM807010	4.125	104.78	1.125	28.58	175
AG705242	HM807010	4.125	104.78	1.125	28.58	175
70930427	HM807011	4.125	104.78	1.125	28.58	175
834522M1	JHM807012	4.134	105.00	1.142	29.00	175
843033M1	4T-JLM81310	4.331	110.00	0.807	20.50	176
AG604444	HM813810	5.000	127.00	1.063	27.00	178
831767M1	HM813810	5.000	127.00	1.063	27.00	178
70927957	L814710	4.313	109.54	0.594	15.08	179
833242M1	LM814810	4.625	117.48	0.750	19.05	180
AG706612	LM814810	4.625	117.48	0.750	19.05	180
70927349	JM822010	6.496	165.00	1.043	26.50	181
AG706722	JM822010	6.496	165.00	1.043	26.50	181
185778M1	HM903210	3.750	95.25	0.875	22.23	182
1850090M92	HM903210	3.750	95.25	0.875	22.23	182
AG702946	HM903210	3.750	95.25	0.875	22.23	182
74996039	M903310	3.625	92.08	0.656	16.66	183

\* Use the Group Number to reference the  
Cups and Cones Interchange Section E-3

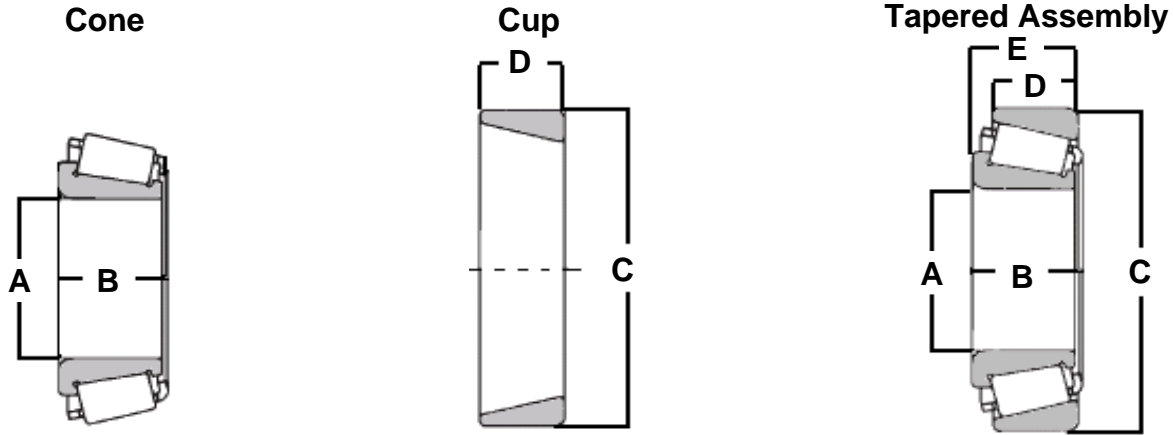




# Tapered Roller Bearings Cups and Cones Interchange

**Bonus**

Listed in Ascending Order by Interchange Group



AGCO offers a wide range of bearings from a number of manufacturers. These Manufacturer Part Numbers are listed for reference only. The part number will not guarantee a specific manufacturer.

AGCO Part No.	Manufacturer Part No.	Type	Cone				Cup				Group No.*
			A Interior Diameter (in) (mm)		B Cone Width (in) (mm)		C Outside Diameter (in) (mm)		D Cup Width (in) (mm)		
760906M1	5BC	Cone	1.114	28.30	0.309	7.85	0.000	0.00	0.000	0.00	1
760907M1	4T-6	Cup	0.000	0.00	0.000	0.00	1.934	49.12	0.750	19.05	1
70207570	7A	Cup	0.000	0.00	0.000	0.00	1.935	49.15	0.875	22.23	1
832397M1	4CB	Cone	0.812	20.62	0.476	12.09	0.000	0.00	0.000	0.00	2
760907M1	6CE	Cup	0.000	0.00	0.000	0.00	1.934	49.12	0.750	19.05	2
70228150	11-BC	Cone	1.181	30.00	0.394	10.00	0.000	0.00	0.000	0.00	3
74993779	13C	Cup	0.000	0.00	0.000	0.00	1.938	49.23	0.453	11.51	3
TG8537	14C	Cup	0.000	0.00	0.000	0.00	2.247	57.07	0.673	17.09	3
70604080	14XS	Cup	0.000	0.00	0.000	0.00	2.247	57.07	0.673	17.09	3
HB5019	24-BC	Cup	0.000	0.00	0.000	0.00	2.186	55.52	0.469	11.91	4
HA5019	21-BC	Cone	1.375	34.93	0.403	10.23	0.000	0.00	0.000	0.00	4
JT9201	32C	Cup	0.000	0.00	0.000	0.00	2.405	61.09	0.469	11.91	5
JT9202	31-BC	Cone	1.599	40.62	0.407	10.34	0.000	0.00	0.000	0.00	5
72090691	35BC	Cone	1.535	39.00	0.512	13.00	0.000	0.00	0.000	0.00	6
72090692	36X	Cup	0.000	0.00	0.000	0.00	2.531	64.29	0.515	13.08	6
72090693	38A	Cup	0.000	0.00	0.000	0.00	2.750	69.85	0.920	23.37	6
SN3062	332	Cup	0.000	0.00	0.000	0.00	3.149	80.00	0.701	17.81	7
WF93	332	Cup	0.000	0.00	0.000	0.00	3.149	80.00	0.701	17.81	7
WKT7109	336	Cone	1.625	41.28	0.882	22.40	0.000	0.00	0.000	0.00	7
70210548	342	Cone	1.625	41.28	0.882	22.40	0.000	0.00	0.000	0.00	7
SN3061	342A	Cone	1.625	41.28	1.180	30.00	0.000	0.00	0.000	0.00	7

\* Use the Group Number from Cone section E-1 or Cup section E-2 to interchange cups and cones



# Tapered Roller Bearings Cups and Cones Interchange

Listed in Ascending Order by Interchange Group

**Bonus**

AGCO Part No.	Manufacturer Part No.	Type	Cone				Cup				Group No.*
			A		B		C		D		
			Interior Diameter (in)	(mm)	Cone Width (in)	(mm)	Outside Diameter (in)	(mm)	Cup Width (in)	(mm)	
832729M1	342A	Cone	1.625	41.28	1.180	30.00	0.000	0.00	0.000	0.00	7
10A22365	342S	Cone	1.688	42.88	0.882	22.40	0.000	0.00	0.000	0.00	7
842789M1	344A	Cone	1.575	40.00	0.882	22.40	0.000	0.00	0.000	0.00	7
712042	350	Cone	1.574	40.00	0.854	21.69	0.000	0.00	0.000	0.00	8
832033M1	352	Cup	0.000	0.00	0.000	0.00	3.548	90.12	0.848	21.54	8
70211608	354A	Cup	0.000	0.00	0.000	0.00	3.346	84.99	0.687	17.45	8
70211562	355	Cone	1.750	44.45	0.854	21.69	0.000	0.00	0.000	0.00	8
71119313	355A	Cone	1.750	44.45	0.854	21.69	0.000	0.00	0.000	0.00	8
10A8408	358A	Cone	1.771	44.98	0.854	21.69	0.000	0.00	0.000	0.00	8
588230M1	362	Cup	0.000	0.00	0.000	0.00	3.543	90.00	0.625	15.88	9
350356X1	362A	Cup	0.000	0.00	0.000	0.00	3.500	88.90	0.650	16.51	9
832032M1	363	Cup	0.000	0.00	0.000	0.00	3.543	90.00	0.787	20.00	9
831304M1	368	Cone	2.000	50.80	0.875	22.23	0.000	0.00	0.000	0.00	9
200922M1	368A	Cone	2.000	50.80	0.875	22.23	0.000	0.00	0.000	0.00	9
70936730	368S	Cone	2.031	51.59	0.875	22.23	0.000	0.00	0.000	0.00	9
124X30	369S	Cone	1.875	47.63	0.875	22.23	0.000	0.00	0.000	0.00	9
70225110	370A	Cone	2.000	50.80	0.875	22.23	0.000	0.00	0.000	0.00	9
70210241	382	Cup	0.000	0.00	0.000	0.00	3.875	98.43	0.701	17.81	10
AG713779	382	Cup	0.000	0.00	0.000	0.00	3.875	98.43	0.701	17.81	10
70212037	382A	Cup	0.000	0.00	0.000	0.00	3.812	96.82	0.625	15.88	10
70254872	382B	Cup	0.000	0.00	0.000	0.00	3.812	96.82	0.701	17.81	10
982080	383A	Cup	0.000	0.00	0.000	0.00	3.937	100.00	0.701	17.81	10
70211563	385	Cone	2.165	55.00	0.864	21.95	0.000	0.00	0.000	0.00	10
AG028808	385A	Cone	2.000	50.80	0.864	21.95	0.000	0.00	0.000	0.00	10
10A8408	385A	Cone	2.000	50.80	0.864	21.95	0.000	0.00	0.000	0.00	10
3405342M91	386A	Cone	1.875	47.63	0.864	21.95	0.000	0.00	0.000	0.00	10
10A7291	387	Cone	2.250	57.15	0.864	21.95	0.000	0.00	0.000	0.00	10
72163092	387A	Cone	2.250	57.15	0.864	21.95	0.000	0.00	0.000	0.00	10
AG713795	387A	Cone	2.250	57.15	0.864	21.95	0.000	0.00	0.000	0.00	10
35A3399	387S	Cone	2.250	57.15	0.864	21.95	0.000	0.00	0.000	0.00	10
73010579	388A	Cone	2.265	57.53	0.864	21.95	0.000	0.00	0.000	0.00	10
982092	389A	Cone	2.125	53.98	0.864	21.95	0.000	0.00	0.000	0.00	10
MA5012	390A	Cone	2.500	63.50	0.866	22.00	0.000	0.00	0.000	0.00	11
834049M1	394	Cup	0.000	0.00	0.000	0.00	4.330	110.00	0.866	22.00	11
834049M1	394A	Cup	0.000	0.00	0.000	0.00	4.330	110.00	0.741	18.82	11
70209897	394AS	Cup	0.000	0.00	0.000	0.00	4.330	110.00	0.741	18.82	11

\* Use the Group Number from Cone section E-1 or Cup section E-2 to interchange cups and cones



# Tapered Roller Bearings Cups and Cones Interchange

Listed in Ascending Order by Interchange Group

**Bonus**

AGCO Part No.	Manufacturer Part No.	Type	Cone				Cup				Group No.*
			A		B		C		D		
			Interior Diameter (in)	(mm)	Cone Width (in)	(mm)	Outside Diameter (in)	(mm)	Cup Width (in)	(mm)	
70229110	395S	Cone	2.625	66.68	0.866	22.00	0.000	0.00	0.000	0.00	11
70209894	395	Cone	2.500	63.50	0.866	22.00	0.000	0.00	0.000	0.00	11
700710545	395LA902A4	Cone	2.688	68.26	0.866	22.00	0.000	0.00	0.000	0.00	11
831488M1	395A	Cone	2.500	63.50	0.866	22.00	0.000	0.00	0.000	0.00	11
70043002	397	Cone	2.362	60.00	0.866	22.00	0.000	0.00	0.000	0.00	11
2374238	399A	Cone	2.687	68.25	0.866	22.00	0.000	0.00	0.000	0.00	11
834834M1	399AS	Cone	2.687	68.25	0.866	22.00	0.000	0.00	0.000	0.00	11
W9110060	399AS	Cone	2.687	68.25	0.866	22.00	0.000	0.00	0.000	0.00	11
831354M1	453A	Cup	0.000	0.00	0.000	0.00	4.250	107.95	0.875	22.23	12
300975M1	453X	Cup	0.000	0.00	0.000	0.00	4.125	104.78	0.968	24.59	12
74850232	455S	Cone	2.000	50.80	1.154	29.31	0.000	0.00	0.000	0.00	12
714451	458	Cone	1.750	44.45	1.154	29.31	0.000	0.00	0.000	0.00	12
300974M1	462	Cone	2.250	57.15	1.154	29.31	0.000	0.00	0.000	0.00	12
195675M1	462A	Cone	2.250	57.15	1.154	29.31	0.000	0.00	0.000	0.00	12
195675V1	462A	Cone	2.250	57.15	1.154	29.31	0.000	0.00	0.000	0.00	12
35A239	469	Cone	2.250	57.15	1.154	29.31	0.000	0.00	0.000	0.00	12
72507599	472	Cup	0.000	0.00	0.000	0.00	4.724	120.00	0.954	24.24	13
72507597	475	Cone	2.165	55.00	1.142	29.01	0.000	0.00	0.000	0.00	13
70238935	492A	Cup	0.000	0.00	0.000	0.00	5.250	133.35	0.875	22.23	14
7714371	493	Cup	0.000	0.00	0.000	0.00	5.375	136.53	0.875	22.23	14
6672656	493	Cup	0.000	0.00	0.000	0.00	5.375	136.53	0.875	22.23	14
AG604153	493	Cup	0.000	0.00	0.000	0.00	5.375	136.53	0.875	22.23	14
7714363	495	Cone	3.250	82.55	1.172	29.77	0.000	0.00	0.000	0.00	14
AG720164	495	Cone	3.250	82.55	1.172	29.77	0.000	0.00	0.000	0.00	14
AG700950	495A	Cone	3.000	76.20	1.172	29.77	0.000	0.00	0.000	0.00	14
71143195	495AS	Cone	3.062	77.77	1.172	29.77	0.000	0.00	0.000	0.00	14
832589M1	496	Cone	3.187	80.95	1.172	29.77	0.000	0.00	0.000	0.00	14
AG604154	496	Cone	3.187	80.95	1.172	29.77	0.000	0.00	0.000	0.00	14
73024650	497	Cone	3.375	85.73	1.172	29.77	0.000	0.00	0.000	0.00	14
700704966	497A	Cone	3.375	85.73	1.172	29.77	0.000	0.00	0.000	0.00	14
70238936	498	Cone	3.312	84.12	1.172	29.77	0.000	0.00	0.000	0.00	14
843681M1	522	Cup	0.000	0.00	0.000	0.00	4.000	101.60	1.062	26.97	15
843680M2	526	Cone	1.625	41.28	1.420	36.07	0.000	0.00	0.000	0.00	15
Y713420	529	Cone	2.000	50.80	1.420	36.07	0.000	0.00	0.000	0.00	15

\* Use the Group Number from Cone section E-1 or Cup section E-2 to interchange cups and cones



# Tapered Roller Bearings Cups and Cones Interchange

Listed in Ascending Order by Interchange Group

**Bonus**

AGCO Part No.	Manufacturer Part No.	Type	Cone				Cup				Group No.*
			A Interior Diameter (in) (mm)		B Cone Width (in) (mm)		C Outside Diameter (in) (mm)		D Cup Width (in) (mm)		
AG721065	552A	Cup	0.000	0.00	0.000	0.00	4.875	123.83	1.187	30.15	16
AG721060	555S	Cone	2.250	57.15	1.444	36.68	0.000	0.00	0.000	0.00	16
KB5012B	563	Cup	0.000	0.00	0.000	0.00	5.000	127.00	1.125	28.58	17
164911A	563X	Cup	0.000	0.00	0.000	0.00	5.000	127.00	1.125	28.58	17
7713134	567	Cone	2.875	73.03	1.424	36.17	0.000	0.00	0.000	0.00	17
UT9033	567S	Cone	2.813	71.44	1.424	36.17	0.000	0.00	0.000	0.00	17
103758A	568	Cone	2.906	73.81	1.424	36.17	0.000	0.00	0.000	0.00	17
831921M1	572	Cup	0.000	0.00	0.000	0.00	5.511	140.00	1.125	28.58	18
KB5011	572	Cup	0.000	0.00	0.000	0.00	5.511	140.00	1.125	28.58	18
70253375	574	Cup	0.000	0.00	0.000	0.00	5.511	140.00	1.125	28.58	18
70253192	575	Cone	3.000	76.20	1.421	36.10	0.000	0.00	0.000	0.00	18
KA5011	575	Cone	3.000	76.20	1.421	36.10	0.000	0.00	0.000	0.00	18
10A18964	576	Cone	2.875	73.03	1.421	36.10	0.000	0.00	0.000	0.00	18
70043010	580	Cone	3.250	82.55	1.421	36.10	0.000	0.00	0.000	0.00	18
AG706124	592A	Cup	0.000	0.00	0.000	0.00	6.000	152.40	1.187	30.15	19
588242M1	592A	Cup	0.000	0.00	0.000	0.00	6.000	152.40	1.187	30.15	19
107615A	592XE	Cup	0.000	0.00	0.000	0.00	5.812	147.62	1.031	26.19	19
70053509	593	Cone	3.500	88.90	1.430	36.32	0.000	0.00	0.000	0.00	19
190460M1	594	Cone	3.750	95.25	1.430	36.32	0.000	0.00	0.000	0.00	19
736508	594A	Cone	3.750	95.25	1.430	36.32	0.000	0.00	0.000	0.00	19
71141348	598	Cone	3.625	92.08	1.430	36.32	0.000	0.00	0.000	0.00	19
DB5011	612	Cup	0.000	0.00	0.000	0.00	4.750	120.65	1.250	31.75	20
10A27972	623S	Cone	2.250	57.15	1.500	38.10	0.000	0.00	0.000	0.00	20
UT9007	632	Cup	0.000	0.00	0.000	0.00	5.375	136.53	1.250	31.75	21
70937175	633	Cup	0.000	0.00	0.000	0.00	5.125	130.18	1.250	31.75	21
70937174	643	Cone	2.750	69.85	1.625	41.28	0.000	0.00	0.000	0.00	21
UT9008	643	Cone	2.750	69.85	1.625	41.28	0.000	0.00	0.000	0.00	21
163609A	672	Cup	0.000	0.00	0.000	0.00	6.625	168.28	1.187	30.15	22
163608A	681	Cone	3.625	92.08	1.625	41.28	0.000	0.00	0.000	0.00	22
982374	742	Cup	0.000	0.00	0.000	0.00	5.909	150.09	1.437	36.50	23
7714322	743	Cup	0.000	0.00	0.000	0.00	5.905	149.99	1.378	35.00	23
843626M2	744	Cone	2.875	73.03	1.837	46.66	0.000	0.00	0.000	0.00	23

\* Use the Group Number from Cone section E-1 or Cup section E-2 to interchange cups and cones



# Tapered Roller Bearings Cups and Cones Interchange

Listed in Ascending Order by Interchange Group

**Bonus**

AGCO Part No.	Manufacturer Part No.	Type	Cone				Cup				Group No.*
			A		B		C		D		
			Interior Diameter (in)	(mm)	Cone Width (in)	(mm)	Outside Diameter (in)	(mm)	Cup Width (in)	(mm)	
7713886	749	Cone	3.347	85.01	1.837	46.66	0.000	0.00	0.000	0.00	23
982384	750A	Cone	3.250	82.55	1.837	46.66	0.000	0.00	0.000	0.00	23
700706034	752	Cup	0.000	0.00	0.000	0.00	6.375	161.93	1.500	38.10	24
70930868	752AA	Cup	0.000	0.00	0.000	0.00	6.375	161.93	1.500	38.10	24
700706030	755	Cone	3.000	76.20	1.900	48.26	0.000	0.00	0.000	0.00	24
70930867	757	Cone	3.250	82.55	1.900	48.26	0.000	0.00	0.000	0.00	24
700706033	759	Cone	3.500	88.90	1.900	48.26	0.000	0.00	0.000	0.00	24
700715744	792	Cup	0.000	0.00	0.000	0.00	8.125	206.38	1.375	34.93	25
700715742	799	Cone	5.062	128.57	1.875	47.63	0.000	0.00	0.000	0.00	25
70242875	1328	Cup	0.000	0.00	0.000	0.00	2.062	52.37	0.562	14.27	26
70800449	1380	Cone	0.875	22.23	0.794	20.17	0.000	0.00	0.000	0.00	26
7710064	2520	Cup	0.000	0.00	0.000	0.00	2.615	66.42	0.812	20.62	27
70242850	2523	Cup	0.000	0.00	0.000	0.00	2.750	69.85	0.750	19.05	27
W9112480	2525	Cup	0.000	0.00	0.000	0.00	2.835	72.01	0.750	19.05	27
7710072	2558	Cone	1.187	30.15	0.998	25.35	0.000	0.00	0.000	0.00	27
70931015	2578	Cone	1.125	28.58	0.998	25.35	0.000	0.00	0.000	0.00	27
70927954	2580	Cone	1.250	31.75	0.998	25.35	0.000	0.00	0.000	0.00	27
7710080	2581	Cone	1.312	33.32	0.998	25.35	0.000	0.00	0.000	0.00	27
31-2437070	2582	Cone	1.250	31.75	0.998	25.35	0.000	0.00	0.000	0.00	27
71143200	2585	Cone	1.312	33.32	0.998	25.35	0.000	0.00	0.000	0.00	27
70525977	2631	Cup	0.000	0.00	0.000	0.00	2.615	66.42	0.750	19.05	28
70525980	2689	Cone	1.125	28.58	1.001	25.43	0.000	0.00	0.000	0.00	28
800334	2690	Cone	1.156	29.36	1.001	25.43	0.000	0.00	0.000	0.00	28
SNRT019552	2720	Cup	0.000	0.00	0.000	0.00	3.000	76.20	0.750	19.05	29
70209987	2720	Cup	0.000	0.00	0.000	0.00	3.000	76.20	0.750	19.05	29
70227678	2729	Cup	0.000	0.00	0.000	0.00	3.000	76.20	0.750	19.05	29
208285M1	2735X	Cup	0.000	0.00	0.000	0.00	2.875	73.03	0.750	19.05	29
70222214	2776	Cone	1.500	38.10	1.010	25.65	0.000	0.00	0.000	0.00	29
70530468	2780	Cone	1.436	36.47	1.010	25.65	0.000	0.00	0.000	0.00	29
70539114	2788	Cone	1.500	38.10	1.010	25.65	0.000	0.00	0.000	0.00	29
10A26950	2788A	Cone	1.500	38.10	1.010	25.65	0.000	0.00	0.000	0.00	29
74255820	2789	Cone	1.562	39.67	1.010	25.65	0.000	0.00	0.000	0.00	29
SNRT019551	2790	Cone	1.312	33.32	1.010	25.65	0.000	0.00	0.000	0.00	29
204257	2790	Cone	1.312	33.32	1.010	25.65	0.000	0.00	0.000	0.00	29

\* Use the Group Number from Cone section E-1 or Cup section E-2 to interchange cups and cones



# Tapered Roller Bearings

## Cups and Cones Interchange

Listed in Ascending Order by Interchange Group

**Bonus**

AGCO Part No.	Manufacturer Part No.	Type	Cone				Cup				Group No.*
			A		B		C		D		
			Interior Diameter (in)	(mm)	Cone Width (in)	(mm)	Outside Diameter (in)	(mm)	Cup Width (in)	(mm)	
AG603961	2790	Cone	1.312	33.32	1.010	25.65	0.000	0.00	0.000	0.00	29
70929653	2793	Cone	1.375	34.93	1.010	25.65	0.000	0.00	0.000	0.00	29
70240445	2796	Cone	1.375	34.93	1.010	25.65	0.000	0.00	0.000	0.00	29
BB5014A	2820	Cup	0.000	0.00	0.000	0.00	2.875	73.03	0.687	17.45	30
74253276	2820	Cup	0.000	0.00	0.000	0.00	2.875	73.03	0.687	17.45	30
831605M1	2875	Cone	1.250	31.75	0.875	22.23	0.000	0.00	0.000	0.00	30
850131M1	2875	Cone	1.250	31.75	0.875	22.23	0.000	0.00	0.000	0.00	30
BA5008	2877	Cone	1.375	34.93	0.937	23.80	0.000	0.00	0.000	0.00	30
70228297	2877	Cone	1.375	34.93	0.937	23.80	0.000	0.00	0.000	0.00	30
BA5008A	2878	Cone	1.375	34.93	0.937	23.80	0.000	0.00	0.000	0.00	30
BA5014A	2879	Cone	1.250	31.75	0.937	23.80	0.000	0.00	0.000	0.00	30
71143452	2924	Cup	0.000	0.00	0.000	0.00	3.346	85.00	0.812	20.62	31
71143451	2984	Cone	1.812	46.02	1.008	25.60	0.000	0.00	0.000	0.00	31
70213010	3120	Cup	0.000	0.00	0.000	0.00	2.859	72.62	0.937	23.80	32
70931013	3126	Cup	0.000	0.00	0.000	0.00	2.836	72.03	0.937	23.80	32
72160238	3193	Cone	1.250	31.75	1.181	30.00	0.000	0.00	0.000	0.00	32
70931014	3196	Cone	1.312	33.32	1.181	30.00	0.000	0.00	0.000	0.00	32
KT7108	3320	Cup	0.000	0.00	0.000	0.00	3.156	80.16	0.937	23.80	33
10A10557	3329	Cup	0.000	0.00	0.000	0.00	3.218	81.74	0.937	23.80	33
982602	3339	Cup	0.000	0.00	0.000	0.00	3.151	80.04	0.937	23.80	33
982603	3379	Cone	1.375	34.93	1.196	30.38	0.000	0.00	0.000	0.00	33
74253302	3382	Cone	1.500	38.10	1.196	30.38	0.000	0.00	0.000	0.00	33
KT7109A	3383	Cone	1.625	41.28	1.196	30.38	0.000	0.00	0.000	0.00	33
71162777	K3420	Cup	0.000	0.00	0.000	0.00	3.125	79.38	0.938	23.81	34
UT9034	3422	Cup	0.000	0.00	0.000	0.00	3.156	80.16	0.937	23.80	34
71162778	3490	Cone	1.500	38.10	1.172	29.77	0.000	0.00	0.000	0.00	34
22246X	3525	Cup	0.000	0.00	0.000	0.00	3.437	87.30	0.937	23.80	35
AG720159	3525	Cup	0.000	0.00	0.000	0.00	3.437	87.30	0.937	23.80	35
982625	3526	Cup	0.000	0.00	0.000	0.00	3.437	87.30	0.937	23.80	35
74254692	3576	Cone	1.625	41.28	1.216	30.89	0.000	0.00	0.000	0.00	35
22245X	4T-3578	Cone	1.750	44.45	1.216	30.89	0.000	0.00	0.000	0.00	35
FT7014	3578	Cone	1.750	44.45	1.216	30.89	0.000	0.00	0.000	0.00	35
982629	3579	Cone	1.687	42.85	1.216	30.89	0.000	0.00	0.000	0.00	35
AG703041	3585	Cone	1.625	41.28	1.216	30.89	0.000	0.00	0.000	0.00	35

\* Use the Group Number from Cone section E-1 or Cup section E-2 to interchange cups and cones



# Tapered Roller Bearings Cups and Cones Interchange

Listed in Ascending Order by Interchange Group

**Bonus**

AGCO Part No.	Manufacturer Part No.	Type	Cone				Cup				Group No.*
			A		B		C		D		
			Interior Diameter (in)	(mm)	Cone Width (in)	(mm)	Outside Diameter (in)	(mm)	Cup Width (in)	(mm)	
70927956	3620	Cup	0.000	0.00	0.000	0.00	2.437	61.90	0.937	23.80	36
70927950	3659	Cone	0.937	23.80	1.197	30.40	0.000	0.00	0.000	0.00	36
831363M1	3720	Cup	0.000	0.00	0.000	0.00	3.671	93.24	0.937	23.80	37
831363V1	3720	Cup	0.000	0.00	0.000	0.00	3.671	93.24	0.937	23.80	37
70659149	3730	Cup	0.000	0.00	0.000	0.00	3.671	93.24	0.937	23.80	37
AG705325	3732	Cup	0.000	0.00	0.000	0.00	3.875	98.43	0.937	23.80	37
70928287	3733	Cup	0.000	0.00	0.000	0.00	3.938	100.00	0.937	23.80	37
70605175	3767	Cone	2.062	52.37	1.193	30.30	0.000	0.00	0.000	0.00	37
AG028022	3767	Cone	2.062	52.37	1.193	30.30	0.000	0.00	0.000	0.00	37
31-2429030	3778	Cone	1.875	47.63	1.193	30.30	0.000	0.00	0.000	0.00	37
831703M1	3780	Cone	2.000	50.80	1.193	30.30	0.000	0.00	0.000	0.00	37
AG603953	3780	Cone	2.000	50.80	1.193	30.30	0.000	0.00	0.000	0.00	37
833805M1	3781	Cone	1.937	49.20	1.193	30.30	0.000	0.00	0.000	0.00	37
831326M1	3782	Cone	1.750	44.45	1.193	30.30	0.000	0.00	0.000	0.00	37
AG705326	3782	Cone	1.750	44.45	1.193	30.30	0.000	0.00	0.000	0.00	37
70253011	3784	Cone	2.000	50.80	1.193	30.30	0.000	0.00	0.000	0.00	37
195162M1	3795	Cone	2.000	50.80	1.193	30.30	0.000	0.00	0.000	0.00	37
831253M1	3820	Cup	0.000	0.00	0.000	0.00	3.375	85.73	0.937	23.80	38
71377534	3820	Cup	0.000	0.00	0.000	0.00	3.375	85.73	0.937	23.80	38
70210012	3821	Cup	0.000	0.00	0.000	0.00	3.375	85.73	0.937	23.80	38
70257797	3822RB	Cup	0.000	0.00	0.000	0.00	3.468	88.09	0.937	23.80	38
844407M1	3872	Cone	1.375	34.93	1.188	30.16	0.000	0.00	0.000	0.00	38
70932843	3875	Cone	1.500	38.10	1.188	30.16	0.000	0.00	0.000	0.00	38
70210011	3876	Cone	1.500	38.10	1.188	30.16	0.000	0.00	0.000	0.00	38
LA5005	3877	Cone	1.625	41.28	1.188	30.16	0.000	0.00	0.000	0.00	38
70230972	3880	Cone	1.625	41.28	1.188	30.16	0.000	0.00	0.000	0.00	38
71377535	3880	Cone	1.625	41.28	1.188	30.16	0.000	0.00	0.000	0.00	38
AG604446	3920	Cup	0.000	0.00	0.000	0.00	4.437	112.70	0.937	23.80	39
195160V1	3920	Cup	0.000	0.00	0.000	0.00	4.437	112.70	0.937	23.80	39
195160M1	3920	Cup	0.000	0.00	0.000	0.00	4.437	112.70	0.937	23.80	39
982685	3925	Cup	0.000	0.00	0.000	0.00	4.437	112.70	0.937	23.80	39
70042884	3975	Cone	2.000	50.80	1.183	30.05	0.000	0.00	0.000	0.00	39
H971528R91	3975	Cone	2.000	50.80	1.183	30.05	0.000	0.00	0.000	0.00	39
10A31025	3977	Cone	2.362	59.99	1.183	30.05	0.000	0.00	0.000	0.00	39
71334989	3980	Cone	2.375	60.33	1.183	30.05	0.000	0.00	0.000	0.00	39
70209905	3982	Cone	2.500	63.50	1.183	30.05	0.000	0.00	0.000	0.00	39

\* Use the Group Number from Cone section E-1 or Cup section E-2 to interchange cups and cones



# Tapered Roller Bearings

## Cups and Cones Interchange

Listed in Ascending Order by Interchange Group

**Bonus**

AGCO Part No.	Manufacturer Part No.	Type	Cone				Cup				Group No.*
			A		B		C		D		
			Interior Diameter (in)	(mm)	Cone Width (in)	(mm)	Outside Diameter (in)	(mm)	Cup Width (in)	(mm)	
AG604445	3982	Cone	2.500	63.50	1.183	30.05	0.000	0.00	0.000	0.00	39
195159M1	3984	Cone	2.625	66.68	1.183	30.05	0.000	0.00	0.000	0.00	39
KA5021	3984	Cone	2.625	66.68	1.183	30.05	0.000	0.00	0.000	0.00	39
982709	4335	Cup	0.000	0.00	0.000	0.00	3.562	90.47	1.312	33.32	40
71377722	4335	Cup	0.000	0.00	0.000	0.00	3.562	90.47	1.312	33.32	40
713404	4375	Cone	1.500	38.10	1.590	40.39	0.000	0.00	0.000	0.00	40
843556M1	4388	Cone	1.625	41.28	1.590	40.39	0.000	0.00	0.000	0.00	40
71377723	4388	Cone	1.625	41.28	1.590	40.39	0.000	0.00	0.000	0.00	40
982712	4395	Cone	1.656	42.06	1.590	40.39	0.000	0.00	0.000	0.00	40
843631M2	4535	Cup	0.000	0.00	0.000	0.00	4.125	104.78	1.312	33.32	41
843630M2	4595	Cone	2.125	53.98	1.581	40.16	0.000	0.00	0.000	0.00	41
982729	5335	Cup	0.000	0.00	0.000	0.00	4.062	103.17	1.437	36.50	42
982733	5395	Cone	1.937	49.20	1.751	44.48	0.000	0.00	0.000	0.00	42
70068847	5535	Cup	0.000	0.00	0.000	0.00	4.812	122.22	1.437	36.50	43
70932875	5584	Cone	2.500	63.50	1.723	43.76	0.000	0.00	0.000	0.00	43
982754	5735	Cup	0.000	0.00	0.000	0.00	5.343	135.71	1.375	34.93	44
982755	5760	Cone	3.000	76.20	1.815	46.10	0.000	0.00	0.000	0.00	44
74917382	A6075	Cone	0.750	19.05	0.439	11.15	0.000	0.00	0.000	0.00	45
74917194	A6157	Cup	0.000	0.00	0.000	0.00	1.574	39.98	0.375	9.53	45
10A14364	A6162	Cup	0.000	0.00	0.000	0.00	1.625	41.28	0.343	8.71	45
AG721070	6420	Cup	0.000	0.00	0.000	0.00	5.875	149.23	1.750	44.45	46
AG721071	6461A	Cone	3.000	76.20	2.135	54.23	0.000	0.00	0.000	0.00	46
1J-2860	6535#CA	Cup	0.000	0.00	0.000	0.00	6.375	161.93	1.687	42.85	47
70937173	6535	Cup	0.000	0.00	0.000	0.00	6.375	161.93	1.687	42.85	47
843685M2	6535	Cup	0.000	0.00	0.000	0.00	6.375	161.93	1.687	42.85	47
72162537	6535	Cup	0.000	0.00	0.000	0.00	6.375	161.93	1.687	42.85	47
70930870	6536	Cup	0.000	0.00	0.000	0.00	6.375	161.93	1.687	42.85	47
70930869	6559C	Cone	3.250	82.55	2.169	55.09	0.000	0.00	0.000	0.00	47
843684M1	6580	Cone	3.500	88.90	2.169	55.09	0.000	0.00	0.000	0.00	47
700703796	9121	Cup	0.000	0.00	0.000	0.00	6.000	152.40	1.250	31.75	48
700703797	9185	Cone	2.687	68.25	1.812	46.02	0.000	0.00	0.000	0.00	48

\* Use the Group Number from Cone section E-1 or Cup section E-2 to interchange cups and cones





# Tapered Roller Bearings Cups and Cones Interchange

Listed in Ascending Order by Interchange Group

**Bonus**

AGCO Part No.	Manufacturer Part No.	Type	Cone				Cup				Group No.*
			A		B		C		D		
			Interior Diameter (in)	(mm)	Cone Width (in)	(mm)	Outside Diameter (in)	(mm)	Cup Width (in)	(mm)	
78551332	9320	Cup	0.000	0.00	0.000	0.00	7.000	177.80	1.375	34.93	49
700706029	9321	Cup	0.000	0.00	0.000	0.00	6.750	171.45	1.250	31.75	49
78551324	9378	Cone	3.000	76.20	2.000	50.80	0.000	0.00	0.000	0.00	49
700706027	9386H	Cone	3.312	84.12	1.812	46.02	0.000	0.00	0.000	0.00	49
70232247	2473	Cone	1.000	25.40	0.875	22.23	0.000	0.00	0.000	0.00	50
70235438	2421	Cup	0.000	0.00	0.000	0.00	2.688	68.26	0.875	22.23	50
7446-12	2420	Cup	0.000	0.00	0.000	0.00	2.687	68.25	0.687	17.45	50
7445-14	2476	Cone	1.250	31.75	0.875	22.23	0.000	0.00	0.000	0.00	50
BB5014A	2820	Cup	0.000	0.00	0.000	0.00	2.875	73.03	0.687	17.45	51
70228297	2877	Cone	1.375	34.93	0.875	22.23	0.000	0.00	0.000	0.00	51
BA5008A	2878	Cone	1.375	34.93	0.875	22.23	0.000	0.00	0.000	0.00	51
10A6714	7204	Cup	0.000	0.00	0.000	0.00	2.047	52.00	0.500	12.70	52
50104	7196	Cup	0.000	0.00	0.000	0.00	1.969	50.00	0.375	9.53	52
70211593	7098	Cone	0.984	25.00	0.561	14.26	0.000	0.00	0.000	0.00	52
50112	7100	Cone	1.000	25.40	0.561	14.25	0.000	0.00	0.000	0.00	52
70209925	9074	Cone	0.750	19.05	0.848	21.54	0.000	0.00	0.000	0.00	53
70800186	9081	Cone	0.812	20.62	0.848	21.54	0.000	0.00	0.000	0.00	53
150662M1	9067	Cone	0.750	19.05	0.750	19.05	0.000	0.00	0.000	0.00	53
70211897	9195	Cup	0.000	0.00	0.000	0.00	1.938	49.23	0.562	14.27	53
70209984	9196	Cup	0.000	0.00	0.000	0.00	1.938	49.23	0.688	17.46	53
70209925	9074	Cup	0.750	19.05	0.848	21.54	0.000	0.00	0.000	0.00	53
70336914	LM11710	Cup	0.000	0.00	0.000	0.00	1.570	40.00	0.420	10.67	54
70336915	LM11749	Cone	0.687	17.45	0.575	14.61	0.000	0.00	0.000	0.00	54
8050445	LM11910XL	Cup	0.000	0.00	0.000	0.00	1.781	45.24	0.475	12.07	55
70328002	LM11910	Cup	0.000	0.00	0.000	0.00	1.781	45.24	0.475	12.07	55
SN126	LM11910	Cup	0.000	0.00	0.000	0.00	1.781	45.24	0.475	12.07	55
AG608602	LM11910	Cup	0.000	0.00	0.000	0.00	1.781	45.24	0.475	12.07	55
12349	K85624	Cup	0.000	0.00	0.000	0.00	1.786	45.36	0.295	7.49	55
831055M1	LM11949	Cone	0.750	19.05	0.655	16.64	0.000	0.00	0.000	0.00	55
AG608604	LM11949	Cone	0.750	19.05	0.655	16.64	0.000	0.00	0.000	0.00	55
SN127	LM11949	Cone	0.750	19.05	0.655	16.64	0.000	0.00	0.000	0.00	55
8050437	LM11949XL	Cone	0.750	19.05	0.655	16.64	0.000	0.00	0.000	0.00	55
711044	LM11900LA902A1	Cone	0.750	19.05	0.655	16.64	0.000	0.00	0.000	0.00	55

\* Use the Group Number from Cone section E-1 or Cup section E-2 to interchange cups and cones



# Tapered Roller Bearings Cups and Cones Interchange

Listed in Ascending Order by Interchange Group

**Bonus**

AGCO Part No.	Manufacturer Part No.	Type	Cone				Cup				Group No.*
			A		B		C		D		
			Interior Diameter (in)	(mm)	Cone Width (in)	(mm)	Outside Diameter (in)	(mm)	Cup Width (in)	(mm)	
70229044	12175	Cone	1.750	44.45	0.675	17.15	0.000	0.00	0.000	0.00	56
70229045	12303	Cup	0.000	0.00	0.000	0.00	3.031	76.99	0.468	11.89	56
HB5026	12520	Cup	0.000	0.00	0.000	0.00	1.938	49.23	0.625	15.88	57
353085X1	12580	Cone	0.812	20.62	0.781	19.84	0.000	0.00	0.000	0.00	57
70228153	M12610	Cup	0.000	0.00	0.000	0.00	1.968	49.99	0.550	13.97	58
H458951R91	M12600LA902A1	Cone	0.844	21.43	0.751	19.08	0.000	0.00	0.000	0.00	58
70228152	M12649	Cone	0.843	21.41	0.720	18.29	0.000	0.00	0.000	0.00	58
70927436	LM12711	Cup	0.000	0.00	0.000	0.00	1.811	46.00	0.475	12.07	59
70927437	LM12749	Cone	0.865	21.97	0.655	16.64	0.000	0.00	0.000	0.00	59
70526975	13620	Cup	0.000	0.00	0.000	0.00	2.717	69.01	0.593	15.06	60
70937210	13621	Cup	0.000	0.00	0.000	0.00	2.717	69.01	0.593	15.06	60
AG720078	13621	Cup	0.000	0.00	0.000	0.00	2.717	69.01	0.593	15.06	60
70937209	13685	Cone	1.500	38.10	0.750	19.05	0.000	0.00	0.000	0.00	60
71127426	13600LA902A1	Cone	1.500	38.10	0.750	19.05	0.000	0.00	0.000	0.00	60
70248357	13686	Cone	1.500	38.10	1.031	26.19	0.000	0.00	0.000	0.00	60
70227846	13687	Cone	1.500	38.10	0.750	19.05	0.000	0.00	0.000	0.00	60
7445-10	14116	Cone	1.190	30.23	0.771	19.58	0.000	0.00	0.000	0.00	61
K1888	14117A	Cone	1.181	30.00	0.771	19.58	0.000	0.00	0.000	0.00	61
N115HS	14118A	Cone	1.181	30.00	0.771	19.58	0.000	0.00	0.000	0.00	61
831335M1	14120	Cone	1.190	30.23	1.052	26.72	0.000	0.00	0.000	0.00	61
K1859	14120A	Cone	1.181	30.00	1.052	26.72	0.000	0.00	0.000	0.00	61
831043M1	14123AA	Cone	1.250	31.75	1.052	26.72	0.000	0.00	0.000	0.00	61
K2127	14123A	Cone	1.250	31.75	1.052	26.72	0.000	0.00	0.000	0.00	61
757088	14124	Cone	1.250	31.75	0.771	19.58	0.000	0.00	0.000	0.00	61
850533M1	14125A	Cone	1.250	31.75	0.771	19.58	0.000	0.00	0.000	0.00	61
35A9860	14131	Cone	1.312	33.32	0.771	19.58	0.000	0.00	0.000	0.00	61
831133M1	14136A	Cone	1.375	34.93	1.052	26.72	0.000	0.00	0.000	0.00	61
70211999	14137A	Cone	1.375	34.93	0.771	19.58	0.000	0.00	0.000	0.00	61
70209889	14138A	Cone	1.375	34.93	0.771	19.58	0.000	0.00	0.000	0.00	61
74253254	14139	Cone	1.377	35.00	0.771	19.58	0.000	0.00	0.000	0.00	61
70210551	14274	Cup	0.000	0.00	0.000	0.00	2.717	69.01	0.625	15.88	61
70209890	14276	Cup	0.000	0.00	0.000	0.00	2.717	69.01	0.625	15.88	61
74253253	14276D	Cup	0.000	0.00	0.000	0.00	2.717	69.01	1.500	38.10	61
70217567	14299	Cup	0.000	0.00	0.000	0.00	3.062	77.77	0.625	15.88	61

\* Use the Group Number from Cone section E-1 or Cup section E-2 to interchange cups and cones



# Tapered Roller Bearings Cups and Cones Interchange

Listed in Ascending Order by Interchange Group

**Bonus**

AGCO Part No.	Manufacturer Part No.	Type	Cone				Cup				Group No.*
			A		B		C		D		
			Interior Diameter (in)	(mm)	Cone Width (in)	(mm)	Outside Diameter (in)	(mm)	Cup Width (in)	(mm)	
70225608	15101	Cone	1.000	25.40	0.813	20.64	0.000	0.00	0.000	0.00	62
72162540	15102	Cone	1.000	25.40	0.813	20.64	0.000	0.00	0.000	0.00	62
70604923	15112	Cone	1.125	28.58	0.813	20.64	0.000	0.00	0.000	0.00	62
70517087	15113	Cone	1.125	28.58	0.813	20.64	0.000	0.00	0.000	0.00	62
WZ6862	15113	Cone	1.125	28.58	0.813	20.64	0.000	0.00	0.000	0.00	62
850179M1	15113	Cone	1.125	28.58	0.813	20.64	0.000	0.00	0.000	0.00	62
834512M1	15116	Cone	1.185	30.10	0.813	20.64	0.000	0.00	0.000	0.00	62
15576X	15117	Cone	1.180	29.97	0.813	20.64	0.000	0.00	0.000	0.00	62
70209926	15118	Cone	1.190	30.21	0.813	20.64	0.000	0.00	0.000	0.00	62
70209985	15120	Cone	1.189	30.20	0.813	20.64	0.000	0.00	0.000	0.00	62
AG705448	15120	Cone	1.189	30.20	0.813	20.64	0.000	0.00	0.000	0.00	62
70230666	15120A	Cone	1.188	30.18	0.813	20.64	0.000	0.00	0.000	0.00	62
350351X1	15123	Cone	1.250	31.75	0.750	19.05	0.000	0.00	0.000	0.00	62
834501M1	15125	Cone	1.250	31.75	0.813	20.64	0.000	0.00	0.000	0.00	62
70323297	15126	Cone	1.250	31.75	0.813	20.64	0.000	0.00	0.000	0.00	62
70241380	15245	Cup	0.000	0.00	0.000	0.00	2.441	62.00	0.562	14.27	62
70241380V	15245	Cup	0.000	0.00	0.000	0.00	2.441	62.00	0.562	14.27	62
70209983	15250	Cup	0.000	0.00	0.000	0.00	2.500	63.50	0.625	15.88	62
AG705447	15250	Cup	0.000	0.00	0.000	0.00	2.500	63.50	0.625	15.88	62
WHB5004	15250X	Cup	0.000	0.00	0.000	0.00	2.500	63.50	0.625	15.88	62
195746M1	15385	Cone	0.875	22.23	0.890	22.61	0.000	0.00	0.000	0.00	63
15951X	15520	Cup	0.000	0.00	0.000	0.00	2.250	57.15	0.531	13.49	64
70935129	15520	Cup	0.000	0.00	0.000	0.00	2.250	57.15	0.531	13.49	64
70210116	15523	Cup	0.000	0.00	0.000	0.00	2.375	60.33	0.625	15.88	64
603610A	15523RB	Cup	0.000	0.00	0.000	0.00	2.375	60.33	0.625	15.88	64
603610A	15578	Cone	1.000	25.40	0.687	17.45	0.000	0.00	0.000	0.00	64
70210117	15578	Cone	1.000	25.40	0.687	17.45	0.000	0.00	0.000	0.00	64
712026	16137	Cone	1.375	34.93	0.812	20.62	0.000	0.00	0.000	0.00	65
70541938	16150	Cone	1.500	38.10	0.812	20.62	0.000	0.00	0.000	0.00	65
712018	16282	Cup	0.000	0.00	0.000	0.00	2.834	72.00	0.560	14.22	65
70541937	16284	Cup	0.000	0.00	0.000	0.00	2.844	72.25	0.625	15.88	65
74253370	17831	Cup	0.000	0.00	0.000	0.00	3.149	80.00	0.593	15.06	66
74253353	17886	Cone	1.692	43.00	0.812	20.62	0.000	0.00	0.000	0.00	66



# Tapered Roller Bearings Cups and Cones Interchange

Listed in Ascending Order by Interchange Group

**Bonus**

AGCO Part No.	Manufacturer Part No.	Type	Cone				Cup				Group No.*
			A Interior Diameter (in) (mm)		B Cone Width (in) (mm)		C Outside Diameter (in) (mm)		D Cup Width (in) (mm)		
983079	18620	Cup	0.000	0.00	0.000	0.00	3.125	79.38	0.531	13.49	67
983080	18685	Cone	1.750	44.45	0.687	17.45	0.000	0.00	0.000	0.00	67
983081	18690	Cone	1.812	46.02	0.687	17.45	0.000	0.00	0.000	0.00	67
983085	18720	Cup	0.000	0.00	0.000	0.00	3.346	84.99	0.531	13.49	68
EB5004	18724	Cup	0.000	0.00	0.000	0.00	3.500	88.90	0.531	13.49	68
983088	18790	Cone	2.000	50.80	0.687	17.45	0.000	0.00	0.000	0.00	68
658139M1	19138	Cone	1.377	35.00	0.650	16.51	0.000	0.00	0.000	0.00	69
7445-45	19150	Cone	1.500	38.10	0.650	16.51	0.000	0.00	0.000	0.00	69
7446-35	19268	Cup	0.000	0.00	0.000	0.00	2.687	68.25	0.468	11.89	69
658140M1	19283	Cup	0.000	0.00	0.000	0.00	2.834	71.98	0.562	14.27	69
10A6286	22720	Cup	0.000	0.00	0.000	0.00	3.250	82.55	0.812	20.62	70
983119	22721	Cup	0.000	0.00	0.000	0.00	3.250	82.55	0.812	20.62	70
983120	22778	Cone	1.625	41.28	1.062	26.97	0.000	0.00	0.000	0.00	70
10A6287	22780	Cone	1.687	42.85	1.062	26.97	0.000	0.00	0.000	0.00	70
70931011	23620	Cup	0.000	0.00	0.000	0.00	2.875	73.03	0.875	22.23	71
70242910	23621	Cup	0.000	0.00	0.000	0.00	2.875	73.03	0.875	22.23	71
70242911	23690	Cone	1.375	34.93	1.062	27.00	0.000	0.00	0.000	0.00	71
70931010	23691	Cone	1.378	35.00	1.062	27.00	0.000	0.00	0.000	0.00	71
850181M1	24720	Cup	0.000	0.00	0.000	0.00	3.000	76.20	0.687	17.45	72
850182M1	24780	Cone	1.625	41.28	0.906	23.01	0.000	0.00	0.000	0.00	72
31-1743560	25519	Cup	0.000	0.00	0.000	0.00	3.250	82.55	0.750	19.05	73
17201X	25520	Cup	0.000	0.00	0.000	0.00	3.265	82.93	0.750	19.05	73
AG604111	25520	Cup	0.000	0.00	0.000	0.00	3.265	82.93	0.750	19.05	73
74253291	25521	Cup	0.000	0.00	0.000	0.00	3.270	83.06	0.750	19.05	73
50261M1	25522	Cup	0.000	0.00	0.000	0.00	3.270	83.06	0.752	19.10	73
70936040	25523	Cup	0.000	0.00	0.000	0.00	3.265	82.93	0.875	22.23	73
10A8410	25527	Cup	0.000	0.00	0.000	0.00	3.346	85.00	0.875	22.23	73
70225634	25530RB	Cup	0.000	0.00	0.000	0.00	3.312	84.12	0.750	19.05	73
70225633	25570	Cone	1.437	36.50	1.000	25.40	0.000	0.00	0.000	0.00	73
70929161	25572	Cone	1.500	38.10	1.000	25.40	0.000	0.00	0.000	0.00	73
7713167	25577	Cone	1.688	42.88	1.000	25.40	0.000	0.00	0.000	0.00	73
70210008	25580	Cone	1.750	44.45	1.000	25.40	0.000	0.00	0.000	0.00	73
AG703998	25580	Cone	1.750	44.45	1.000	25.40	0.000	0.00	0.000	0.00	73

\* Use the Group Number from Cone section E-1 or Cup section E-2 to interchange cups and cones



# Tapered Roller Bearings Cups and Cones Interchange

Listed in Ascending Order by Interchange Group

**Bonus**

AGCO Part No.	Manufacturer Part No.	Type	Cone				Cup				Group No.*
			A		B		C		D		
			Interior Diameter (in)	(mm)	Cone Width (in)	(mm)	Outside Diameter (in)	(mm)	Cup Width (in)	(mm)	
X11300	25581	Cone	1.750	44.45	1.000	25.40	0.000	0.00	0.000	0.00	73
11300	25581	Cone	1.750	44.45	1.000	25.40	0.000	0.00	0.000	0.00	73
7445-72	25583	Cone	1.750	44.45	1.412	35.86	0.000	0.00	0.000	0.00	73
74253936	25584	Cone	1.771	44.98	1.000	25.40	0.000	0.00	0.000	0.00	73
SNYYB-335	25590	Cone	1.796	45.62	1.000	25.40	0.000	0.00	0.000	0.00	73
701114M1	25590	Cone	1.796	45.62	1.000	25.40	0.000	0.00	0.000	0.00	73
AG605248	25590	Cone	1.796	45.62	1.000	25.40	0.000	0.00	0.000	0.00	73
15854X	25820	Cup	0.000	0.00	0.000	0.00	2.875	73.03	0.750	19.05	74
712208	25821	Cup	0.000	0.00	0.000	0.00	2.875	73.03	0.750	19.05	74
70230068	25821	Cup	0.000	0.00	0.000	0.00	2.875	73.03	0.750	19.05	74
AG604112	25821	Cup	0.000	0.00	0.000	0.00	2.875	73.03	0.750	19.05	74
70228509	25877	Cone	1.375	34.93	0.968	24.59	0.000	0.00	0.000	0.00	74
70227521	25878	Cone	1.375	34.93	0.968	24.59	0.000	0.00	0.000	0.00	74
10A21642	25880	Cone	1.436	36.47	0.968	24.59	0.000	0.00	0.000	0.00	74
BB5013A	26820	Cup	0.000	0.00	0.000	0.00	3.156	80.16	0.812	20.62	75
70042887	26822	Cup	0.000	0.00	0.000	0.00	3.125	79.38	0.750	19.05	75
70927959	26822A	Cup	0.000	0.00	0.000	0.00	3.125	79.38	0.750	19.05	75
768040M1	26822B	Cup	0.000	0.00	0.000	0.00	3.125	79.38	0.750	19.05	75
70235089	26823	Cup	0.000	0.00	0.000	0.00	3.000	76.20	0.812	20.62	75
658138M1	26824	Cup	0.000	0.00	0.000	0.00	3.149	79.98	0.750	19.05	75
70047751	26878	Cone	1.500	38.10	1.000	25.40	0.000	0.00	0.000	0.00	75
W20P4307	26880	Cone	1.562	39.67	1.000	25.40	0.000	0.00	0.000	0.00	75
70209899	26882	Cone	1.625	41.28	1.000	25.40	0.000	0.00	0.000	0.00	75
74254984	26884	Cone	1.688	42.88	1.000	25.40	0.000	0.00	0.000	0.00	75
124X59	26885	Cone	1.625	41.28	1.000	25.40	0.000	0.00	0.000	0.00	75
833643M1	26886	Cone	1.688	42.88	1.000	25.40	0.000	0.00	0.000	0.00	75
22020X	27620	Cup	0.000	0.00	0.000	0.00	4.937	125.40	0.781	19.84	76
894776M1	4T-27687	Cone	3.250	82.55	1.000	25.40	0.000	0.00	0.000	0.00	76
1881931M91	27687	Cone	3.250	82.55	1.000	25.40	0.000	0.00	0.000	0.00	76
190461M1	27690	Cone	3.281	83.34	1.000	25.40	0.000	0.00	0.000	0.00	76
1861105M1	27695	Cone	3.345	84.96	1.000	25.40	0.000	0.00	0.000	0.00	76
800367	27820	Cup	0.000	0.00	0.000	0.00	3.151	80.04	1.770	44.96	77
74253369	27820D	Cup	0.000	0.00	0.000	0.00	3.151	80.04	1.770	44.96	77
Y800433	27875	Cone	1.375	34.93	0.933	23.70	0.000	0.00	0.000	0.00	77
713412	27880	Cone	1.500	38.10	0.933	23.70	0.000	0.00	0.000	0.00	77

\* Use the Group Number from Cone section E-1 or Cup section E-2 to interchange cups and cones



# Tapered Roller Bearings

## Cups and Cones Interchange

Listed in Ascending Order by Interchange Group

**Bonus**

AGCO Part No.	Manufacturer Part No.	Type	Cone				Cup				Group No.*
			A		B		C		D		
			Interior Diameter (in)	(mm)	Cone Width (in)	(mm)	Outside Diameter (in)	(mm)	Cup Width (in)	(mm)	
831547M1	28521	Cup	0.000	0.00	0.000	0.00	3.625	92.08	0.781	19.84	78
W9112410	28521	Cup	0.000	0.00	0.000	0.00	3.625	92.08	0.781	19.84	78
WKA5014	28580	Cone	2.000	50.80	1.000	25.40	0.000	0.00	0.000	0.00	78
70244271	28621	Cup	0.000	0.00	0.000	0.00	3.812	96.82	0.765	19.43	79
831376M1	28621	Cup	0.000	0.00	0.000	0.00	3.843	97.61	0.765	19.43	79
AG713777	28622	Cup	0.000	0.00	0.000	0.00	3.843	97.61	0.765	19.43	79
157168A	28678	Cone	2.000	50.80	0.968	24.59	0.000	0.00	0.000	0.00	79
AG719857	28678	Cone	2.000	50.80	0.968	24.59	0.000	0.00	0.000	0.00	79
713156	28680	Cone	2.187	55.55	0.968	24.59	0.000	0.00	0.000	0.00	79
831341M1	28682	Cone	2.250	57.15	0.968	24.59	0.000	0.00	0.000	0.00	79
AG713789	28682	Cone	2.250	57.15	0.968	24.59	0.000	0.00	0.000	0.00	79
700706038	28920	Cup	0.000	0.00	0.000	0.00	4.000	101.60	0.781	19.84	80
15611	28921	Cup	0.000	0.00	0.000	0.00	3.937	100.00	0.781	19.84	80
0071119323	28985	Cone	2.375	60.33	1.000	25.40	0.000	0.00	0.000	0.00	80
700706039	28990	Cone	2.440	62.00	0.968	24.59	0.000	0.00	0.000	0.00	80
15612	28995	Cone	2.470	62.74	1.000	25.40	0.000	0.00	0.000	0.00	80
70539112	29520	Cup	0.000	0.00	0.000	0.00	4.250	107.95	0.750	19.05	81
832930M1	29521	Cup	0.000	0.00	0.000	0.00	4.330	110.00	0.750	19.05	81
70929620	29580	Cone	2.362	60.00	1.000	25.40	0.000	0.00	0.000	0.00	81
834830M1	29582	Cone	2.362	60.00	1.000	25.40	0.000	0.00	0.000	0.00	81
70253499	29590	Cone	2.625	66.68	1.000	25.40	0.000	0.00	0.000	0.00	81
10A20106	29585	Cone	2.500	63.50	1.000	25.40	0.000	0.00	0.000	0.00	81
AG706604	29620	Cup	0.000	0.00	0.000	0.00	4.437	112.70	0.750	19.05	82
833639M1	29620	Cup	0.000	0.00	0.000	0.00	4.437	112.70	0.750	19.05	82
AG705847	29630	Cup	0.000	0.00	0.000	0.00	4.750	120.65	0.750	19.05	82
AG705848	29675	Cone	2.750	69.85	1.000	25.40	0.000	0.00	0.000	0.00	82
833638M1	29675	Cone	2.750	69.85	1.000	25.40	0.000	0.00	0.000	0.00	82
831343M2	29685	Cone	2.875	73.03	1.000	25.40	0.000	0.00	0.000	0.00	82
74255821	LM29710	Cup	0.000	0.00	0.000	0.00	2.562	65.07	0.550	13.97	83
70555360	LM29710	Cup	0.000	0.00	0.000	0.00	2.562	65.07	0.550	13.97	83
15871	LM29700LA902A1	Cone	1.500	38.10	0.720	18.29	0.000	0.00	0.000	0.00	83
70555361	LM29749	Cone	1.500	38.10	0.720	18.29	0.000	0.00	0.000	0.00	83

\* Use the Group Number from Cone section E-1 or Cup section E-2 to interchange cups and cones



# Tapered Roller Bearings

## Cups and Cones Interchange

Listed in Ascending Order by Interchange Group

**Bonus**

AGCO Part No.	Manufacturer Part No.	Type	Cone				Cup				Group No.*
			A		B		C		D		
			Interior Diameter (in)	(mm)	Cone Width (in)	(mm)	Outside Diameter (in)	(mm)	Cup Width (in)	(mm)	
700001839	30204A	Cup	0.000	0.00	0.000	0.00	1.850	47.00	0.472	12.00	84
700001838	30204	Cone	0.787	20.00	0.551	14.00	0.000	0.00	0.000	0.00	84
700001841	30205A	Cup	0.000	0.00	0.000	0.00	2.047	52.00	0.512	13.00	85
700001840	30205	Cone	0.984	25.00	0.591	15.00	0.000	0.00	0.000	0.00	85
AG705875	31520	Cup	0.000	0.00	0.000	0.00	3.000	76.20	0.937	23.80	86
BB5008B	31520	Cup	0.000	0.00	0.000	0.00	3.000	76.20	0.937	23.80	86
72160240	31521	Cup	0.000	0.00	0.000	0.00	3.000	76.20	0.937	23.80	86
74253274	31593	Cone	1.375	34.93	1.125	28.58	0.000	0.00	0.000	0.00	86
BA5008B	31594	Cone	1.375	34.93	1.125	28.58	0.000	0.00	0.000	0.00	86
AG705874	31597	Cone	1.437	36.50	1.125	28.58	0.000	0.00	0.000	0.00	86
72160241	31597	Cone	1.437	36.50	1.125	28.58	0.000	0.00	0.000	0.00	86
AG028024	33225	Cone	2.250	57.15	1.188	30.16	0.000	0.00	0.000	0.00	87
700703795	33251	Cone	2.500	63.50	1.188	30.16	0.000	0.00	0.000	0.00	87
14309X	33262	Cone	2.625	66.68	1.188	30.16	0.000	0.00	0.000	0.00	87
504227M1	33275	Cone	2.750	69.85	1.188	30.16	0.000	0.00	0.000	0.00	87
AG705942	33281	Cone	2.812	71.42	1.188	30.16	0.000	0.00	0.000	0.00	87
983326	33281	Cone	2.812	71.42	1.188	30.16	0.000	0.00	0.000	0.00	87
831733M1	33287	Cone	2.875	73.03	1.188	30.16	0.000	0.00	0.000	0.00	87
107610A	33461	Cup	0.000	0.00	0.000	0.00	4.625	117.48	0.938	23.83	87
504226M1	33462	Cup	0.000	0.00	0.000	0.00	4.625	117.48	0.937	23.80	87
700703794	33472	Cup	0.000	0.00	0.000	0.00	4.724	120.00	0.923	23.44	87
AG705943	33472	Cup	0.000	0.00	0.000	0.00	4.724	120.00	0.923	23.44	87
70061088	33821	Cup	0.000	0.00	0.000	0.00	3.750	95.25	0.875	22.23	88
74255185	33885	Cone	1.750	44.45	1.125	28.58	0.000	0.00	0.000	0.00	88
70061087	33889	Cone	2.000	50.80	1.125	28.58	0.000	0.00	0.000	0.00	88
70931618	33891	Cone	2.062	52.37	1.125	28.58	0.000	0.00	0.000	0.00	88
74254801	33895	Cone	2.125	53.98	1.125	28.58	0.000	0.00	0.000	0.00	88
AG707333	34300	Cone	3.000	76.20	0.906	23.01	0.000	0.00	0.000	0.00	89
10A8440	34301	Cone	3.000	76.20	0.906	23.01	0.000	0.00	0.000	0.00	89
70619872	34306	Cone	3.062	77.77	0.906	23.01	0.000	0.00	0.000	0.00	89
AG707325	34478	Cup	0.000	0.00	0.000	0.00	4.781	121.44	0.688	17.48	89
73028644	34478	Cup	0.000	0.00	0.000	0.00	4.781	121.44	0.688	17.48	89



# Tapered Roller Bearings

## Cups and Cones Interchange

Listed in Ascending Order by Interchange Group

**Bonus**

AGCO Part No.	Manufacturer Part No.	Type	Cone				Cup				Group No.*
			A		B		C		D		
			Interior Diameter (in)	(mm)	Cone Width (in)	(mm)	Outside Diameter (in)	(mm)	Cup Width (in)	(mm)	
983367	35176	Cone	1.750	44.45	0.906	23.01	0.000	0.00	0.000	0.00	90
983368	35326	Cup	0.000	0.00	0.000	0.00	3.266	82.96	0.688	17.48	90
185251M1	37425	Cone	4.250	107.95	0.844	21.44	0.000	0.00	0.000	0.00	91
185252M1	37625	Cup	0.000	0.00	0.000	0.00	6.250	158.75	0.625	15.88	91
74255217	39250	Cone	2.500	63.50	0.866	22.00	0.000	0.00	0.000	0.00	92
74255218	39412	Cup	0.000	0.00	0.000	0.00	4.125	104.78	0.625	15.88	92
AG720158	39520	Cup	0.000	0.00	0.000	0.00	4.437	112.70	0.937	23.80	93
70933868	39520	Cup	0.000	0.00	0.000	0.00	4.437	112.70	0.937	23.80	93
843632M1	39521	Cup	0.000	0.00	0.000	0.00	4.437	112.70	0.937	23.80	93
70933165	39573	Cone	2.000	50.80	1.187	30.15	0.000	0.00	0.000	0.00	93
70619873	39575	Cone	2.000	50.80	1.187	30.15	0.000	0.00	0.000	0.00	93
74254258	39580	Cone	2.250	57.15	1.187	30.15	0.000	0.00	0.000	0.00	93
165759A	39581	Cone	2.250	57.15	1.187	30.15	0.000	0.00	0.000	0.00	93
74253787	39585	Cone	2.500	63.50	1.187	30.15	0.000	0.00	0.000	0.00	93
70930972	39586	Cone	2.558	65.00	1.217	30.91	0.000	0.00	0.000	0.00	93
73007119	39590	Cone	2.625	66.68	1.187	30.15	0.000	0.00	0.000	0.00	93
AG517256	42350	Cone	3.500	88.90	1.141	28.97	0.000	0.00	0.000	0.00	94
10P3627	42350	Cone	3.500	88.90	1.141	28.97	0.000	0.00	0.000	0.00	94
70929667	42375A	Cone	3.750	95.25	1.141	28.97	0.000	0.00	0.000	0.00	94
983431	42375	Cone	3.750	95.25	1.141	28.97	0.000	0.00	0.000	0.00	94
AG706729	42381	Cone	3.812	96.82	1.141	28.97	0.000	0.00	0.000	0.00	94
771130M1	42381	Cone	3.812	96.82	1.141	28.97	0.000	0.00	0.000	0.00	94
AG706728	42584	Cup	0.000	0.00	0.000	0.00	5.843	148.41	0.843	21.41	94
AG517255	42584	Cup	0.000	0.00	0.000	0.00	5.843	148.41	0.843	21.41	94
833135M1	42584	Cup	0.000	0.00	0.000	0.00	5.843	148.41	0.843	21.41	94
AG705355	42620	Cup	0.000	0.00	0.000	0.00	5.000	127.00	0.875	22.23	95
700720336	42620	Cup	0.000	0.00	0.000	0.00	5.000	127.00	0.875	22.23	95
AG714654	42687	Cone	3.000	76.20	1.220	31.00	0.000	0.00	0.000	0.00	95
700720334	42687	Cone	3.000	76.20	1.220	31.00	0.000	0.00	0.000	0.00	95
70239063	42688	Cone	3.000	76.20	1.220	31.00	0.000	0.00	0.000	0.00	95
700720518	42690	Cone	3.062	77.77	1.220	31.00	0.000	0.00	0.000	0.00	95





# Tapered Roller Bearings Cups and Cones Interchange

Listed in Ascending Order by Interchange Group

**Bonus**

AGCO Part No.	Manufacturer Part No.	Type	Cone				Cup				Group No.*
			A		B		C		D		
			Interior Diameter (in)	(mm)	Cone Width (in)	(mm)	Outside Diameter (in)	(mm)	Cup Width (in)	(mm)	
10P2421	43125	Cone	1.125	28.58	0.947	24.05	0.000	0.00	0.000	0.00	96
29776X	43132	Cone	1.312	33.32	0.947	24.05	0.000	0.00	0.000	0.00	96
10P2422	43312	Cup	0.000	0.00	0.000	0.00	3.125	79.38	0.687	17.45	96
71326257	L44600LA	Cone	1.000	25.40	0.580	14.73	0.000	0.00	0.000	0.00	97
SN777	L44610	Cup	0.000	0.00	0.000	0.00	1.980	50.29	0.420	10.67	97
3636486M1	L44610	Cup	0.000	0.00	0.000	0.00	1.980	50.29	0.420	10.67	97
832190M1	L44610	Cup	0.000	0.00	0.000	0.00	1.980	50.29	0.420	10.67	97
SN776	L44643	Cone	1.000	25.40	0.580	14.73	0.000	0.00	0.000	0.00	97
70341230	L44643	Cone	1.000	25.40	0.580	14.73	0.000	0.00	0.000	0.00	97
70937219	L44649	Cone	1.062	27.00	0.580	14.73	0.000	0.00	0.000	0.00	97
AG705630	45220	Cup	0.000	0.00	0.000	0.00	4.125	104.78	0.937	23.80	98
70073111	45220	Cup	0.000	0.00	0.000	0.00	4.125	104.78	0.937	23.80	98
70659153	45221	Cup	0.000	0.00	0.000	0.00	4.125	104.78	0.937	23.80	98
70329358	45284	Cone	2.000	50.80	1.219	30.96	0.000	0.00	0.000	0.00	98
AG714814	45285	Cone	2.000	50.80	1.219	30.96	0.000	0.00	0.000	0.00	98
70080730	45285	Cone	2.000	50.80	1.219	30.96	0.000	0.00	0.000	0.00	98
AG705358	45287	Cone	2.125	53.98	1.219	30.96	0.000	0.00	0.000	0.00	98
AG714655	45290	Cone	2.250	57.15	1.219	30.96	0.000	0.00	0.000	0.00	98
70073112	45290	Cone	2.250	57.15	1.219	30.96	0.000	0.00	0.000	0.00	98
70244167	45291	Cone	2.250	57.15	1.219	30.96	0.000	0.00	0.000	0.00	98
16031X	46162	Cone	1.625	41.28	1.250	31.75	0.000	0.00	0.000	0.00	99
AG028450	47620	Cup	0.000	0.00	0.000	0.00	5.250	133.35	1.031	26.19	100
74891163	47620	Cup	0.000	0.00	0.000	0.00	5.250	133.35	1.031	26.19	100
70061086	47620	Cup	0.000	0.00	0.000	0.00	5.250	133.35	1.031	26.19	100
983521	47620	Cup	0.000	0.00	0.000	0.00	5.250	133.35	1.031	26.19	100
983522	47620A	Cup	0.000	0.00	0.000	0.00	5.250	133.35	1.031	26.19	100
983527	47681	Cone	3.187	80.95	1.313	33.34	0.000	0.00	0.000	0.00	100
AG028451	47686	Cone	3.250	82.55	1.313	33.34	0.000	0.00	0.000	0.00	100
832590M1	47686	Cone	3.250	82.55	1.313	33.34	0.000	0.00	0.000	0.00	100
983530	47687	Cone	3.250	82.55	1.313	33.34	0.000	0.00	0.000	0.00	100
843617M1	47688	Cone	3.281	83.34	1.313	33.34	0.000	0.00	0.000	0.00	100
AG705960	48220	Cup	0.000	0.00	0.000	0.00	7.187	182.55	1.312	33.32	101
AG705959	48290	Cone	5.000	127.00	1.500	38.10	0.000	0.00	0.000	0.00	101
7712656	48290	Cone	5.000	127.00	1.500	38.10	0.000	0.00	0.000	0.00	101

\* Use the Group Number from Cone section E-1 or Cup section E-2 to interchange cups and cones



# Tapered Roller Bearings

## Cups and Cones Interchange

Listed in Ascending Order by Interchange Group

**Bonus**

AGCO Part No.	Manufacturer Part No.	Type	Cone				Cup				Group No.*
			A		B		C		D		
			Interior Diameter (in)	(mm)	Cone Width (in)	(mm)	Outside Diameter (in)	(mm)	Cup Width (in)	(mm)	
834798M1	48320	Cup	0.000	0.00	0.000	0.00	7.500	190.50	1.312	33.32	102
AG519692	48320	Cup	0.000	0.00	0.000	0.00	7.500	190.50	1.312	33.32	102
700710370	48320	Cup	0.000	0.00	0.000	0.00	7.500	190.50	1.312	33.32	102
700710380	48385	Cone	5.250	133.35	1.562	39.67	0.000	0.00	0.000	0.00	102
AG519693	48393	Cone	5.375	136.53	1.562	39.67	0.000	0.00	0.000	0.00	102
SN1603	LM48510	Cup	0.000	0.00	0.000	0.00	2.562	65.07	0.550	13.97	103
70227666V	LM48510	Cup	0.000	0.00	0.000	0.00	2.562	65.07	0.550	13.97	103
70227666	LM48510	Cup	0.000	0.00	0.000	0.00	2.562	65.07	0.550	13.97	103
SN1602	LM48548	Cone	1.375	34.93	0.720	18.29	0.000	0.00	0.000	0.00	103
831078M1	LM48548	Cone	1.375	34.93	0.720	18.29	0.000	0.00	0.000	0.00	103
70926702	LM48500LA902A1	Cone	1.375	34.93	0.720	18.29	0.000	0.00	0.000	0.00	103
843036M1	LM48548A	Cone	1.375	34.93	0.720	18.29	0.000	0.00	0.000	0.00	103
70930839	52387	Cone	3.875	98.43	1.421	36.09	0.000	0.00	0.000	0.00	104
AG604447	52400A	Cone	4.000	101.60	1.421	36.09	0.000	0.00	0.000	0.00	104
AG604448	52618	Cup	0.000	0.00	0.000	0.00	6.187	157.15	1.031	26.19	104
70181742	52618	Cup	0.000	0.00	0.000	0.00	6.187	157.15	1.031	26.19	104
195163M1	53177	Cone	1.750	44.45	1.114	28.30	0.000	0.00	0.000	0.00	105
983617	53178	Cone	1.750	44.45	1.114	28.30	0.000	0.00	0.000	0.00	105
17392A	53375	Cup	0.000	0.00	0.000	0.00	3.750	95.25	0.812	20.62	105
AG705909	55176C	Cone	1.750	44.45	1.059	26.90	0.000	0.00	0.000	0.00	106
8050676	55200	Cone	2.000	50.80	1.059	26.90	0.000	0.00	0.000	0.00	106
808345	55437	Cup	0.000	0.00	0.000	0.00	4.375	111.13	0.812	20.62	106
AG028806	55437	Cup	0.000	0.00	0.000	0.00	4.375	111.13	0.812	20.62	106
AG720145	55443	Cup	0.000	0.00	0.000	0.00	4.437	112.70	0.812	20.62	106
167323A	56662	Cup	0.000	0.00	0.000	0.00	6.625	168.28	1.062	26.97	107
167323A	56425	Cone	4.250	108.00	1.437	36.50	0.000	0.00	0.000	0.00	107
1299426	56425	Cone	4.250	108.00	1.437	36.50	0.000	0.00	0.000	0.00	107
AG705359	59201	Cone	2.000	0.00	1.437	36.50	0.000	0.00	0.000	0.00	108
AG705360	59412	Cup	0.000	0.00	0.000	0.00	4.125	104.78	1.125	28.58	108
AG711900	64450	Cone	4.500	114.30	1.625	41.28	0.000	0.00	0.000	0.00	109
AG711901	64700	Cup	0.000	0.00	0.000	0.00	7.000	177.80	1.187	30.15	109

\* Use the Group Number from Cone section E-1 or Cup section E-2 to interchange cups and cones



# Tapered Roller Bearings

## Cups and Cones Interchange

Listed in Ascending Order by Interchange Group

**Bonus**

AGCO Part No.	Manufacturer Part No.	Type	Cone				Cup				Group No.*
			A		B		C		D		
			Interior Diameter (in)	(mm)	Cone Width (in)	(mm)	Outside Diameter (in)	(mm)	Cup Width (in)	(mm)	
504225M1	65237	Cone	2.375	60.33	1.750	44.45	0.000	0.00	0.000	0.00	110
AG706906	65237-A	Cone	2.375	60.33	1.750	44.45	0.000	0.00	0.000	0.00	110
AG706914	65500	Cup	0.000	0.00	0.000	0.00	5.000	127.00	1.375	34.93	110
504221M1	65500	Cup	0.000	0.00	0.000	0.00	5.000	127.00	1.375	34.93	110
983687	65501	Cup	0.000	0.00	0.000	0.00	5.000	127.00	1.375	34.93	110
501482E	66462	Cup	0.000	0.00	0.000	0.00	4.625	117.48	0.937	23.80	111
WR15493	LM67010	Cup	0.000	0.00	0.000	0.00	2.328	59.13	0.465	11.81	112
SN1605	LM67010	Cup	0.000	0.00	0.000	0.00	2.328	59.13	0.465	11.81	112
843778M1	LM67010	Cup	0.000	0.00	0.000	0.00	2.328	59.13	0.465	11.81	112
3636054M1	LM67010	Cup	0.000	0.00	0.000	0.00	2.328	59.13	0.465	11.81	112
AG606918	LM67010	Cup	0.000	0.00	0.000	0.00	2.328	59.13	0.465	11.81	112
70327997	LM67010	Cup	0.000	0.00	0.000	0.00	2.328	59.13	0.465	11.81	112
WR15490	LM67048	Cone	1.250	31.75	0.660	16.76	0.000	0.00	0.000	0.00	112
SN1606	LM67048	Cone	1.250	31.75	0.660	16.76	0.000	0.00	0.000	0.00	112
AG605209	LM67048	Cone	1.250	31.75	0.660	16.76	0.000	0.00	0.000	0.00	112
70327382	LM67048	Cone	1.250	31.75	0.660	16.76	0.000	0.00	0.000	0.00	112
70531251	LM67000LA902A1	Cone	1.250	31.75	0.660	16.76	0.000	0.00	0.000	0.00	112
17050	LM67000LA	Cone	1.250	31.75	0.660	16.76	0.000	0.00	0.000	0.00	112
7713860	67322	Cup	0.000	0.00	0.000	0.00	7.750	196.85	1.500	38.10	113
71314481	67390	Cone	5.250	133.35	1.812	46.02	0.000	0.00	0.000	0.00	113
7713878	67391	Cone	5.250	133.35	1.812	46.02	0.000	0.00	0.000	0.00	113
70933953	67675	Cup	0.000	0.00	0.000	0.00	6.750	171.45	0.994	25.25	114
70927434	L68111	Cup	0.000	0.00	0.000	0.00	2.362	60.00	0.470	11.94	115
70927435	L68149	Cone	1.378	35.00	0.660	16.76	0.000	0.00	0.000	0.00	115
AG012658	68462	Cone	4.625	117.48	1.250	31.75	0.000	0.00	0.000	0.00	116
AG012666	68712	Cup	0.000	0.00	0.000	0.00	7.125	181.00	1.000	25.40	116
SNYYB-332	JL69310	Cup	0.000	0.00	0.000	0.00	2.480	63.00	0.669	17.00	117
70582091	JL69310	Cup	0.000	0.00	0.000	0.00	2.480	63.00	0.669	17.00	117
SNYYB-330	JL69349	Cone	1.496	38.00	0.669	17.00	0.000	0.00	0.000	0.00	117
70582092	JL69349	Cone	1.496	38.00	0.669	17.00	0.000	0.00	0.000	0.00	117



# Tapered Roller Bearings Cups and Cones Interchange

Listed in Ascending Order by Interchange Group

**Bonus**

AGCO Part No.	Manufacturer Part No.	Type	Cone				Cup				Group No.*
			A		B		C		D		
			Interior Diameter (in)	(mm)	Cone Width (in)	(mm)	Outside Diameter (in)	(mm)	Cup Width (in)	(mm)	
AG059088	72200C	Cone	2.000	50.80	1.291	32.79	0.000	0.00	0.000	0.00	118
72162244	72212C	Cone	2.125	54.00	1.291	32.79	0.000	0.00	0.000	0.00	118
72162245	72487	Cup	0.000	0.00	0.000	0.00	4.875	123.83	1.000	25.40	118
AG520699	74550	Cone	5.500	139.70	1.875	47.63	0.000	0.00	0.000	0.00	119
AG520700	74850	Cup	0.000	0.00	0.000	0.00	8.500	215.90	1.375	34.93	119
AG028446	78214	Cone	2.125	54.00	1.308	33.22	0.000	0.00	0.000	0.00	120
AG028448	78225	Cone	2.250	57.15	1.308	33.22	0.000	0.00	0.000	0.00	120
AG028447	78551	Cup	0.000	0.00	0.000	0.00	5.513	140.03	0.926	23.52	120
843654M1	HM81610	Cup	0.000	0.00	0.000	0.00	1.850	47.00	0.629	16.00	121
843656M1	HM81649	Cone	0.629	16.00	0.826	21.00	0.000	0.00	0.000	0.00	121
8050262	M84510	Cup	0.000	0.00	0.000	0.00	2.250	57.15	0.580	14.73	122
8050270	M84548	Cone	1.000	25.40	0.765	19.43	0.000	0.00	0.000	0.00	122
834581M1	M86610	Cup	0.000	0.00	0.000	0.00	2.531	64.29	0.656	16.66	123
4319391	M86647	Cone	1.125	28.58	0.844	21.43	0.000	0.00	0.000	0.00	123
AG703846	M86649	Cone	1.188	30.16	0.844	21.43	0.000	0.00	0.000	0.00	123
834580M1	M86649	Cone	1.188	30.16	0.844	21.43	0.000	0.00	0.000	0.00	123
832927M1	M88010	Cup	0.000	0.00	0.000	0.00	2.687	68.25	0.687	17.45	124
832926M1	M88048	Cone	1.312	33.32	0.875	22.23	0.000	0.00	0.000	0.00	124
831486M1	HM88510	Cup	0.000	0.00	0.000	0.00	2.875	73.03	0.906	23.01	125
EB5026A	HM88511	Cup	0.000	0.00	0.000	0.00	2.875	73.03	0.906	23.01	125
831487M1	HM88542	Cone	1.250	31.75	1.093	27.76	0.000	0.00	0.000	0.00	125
70933015	HM88547	Cone	1.312	33.32	1.093	27.76	0.000	0.00	0.000	0.00	125
7710106	HM88610	Cup	0.000	0.00	0.000	0.00	2.843	72.21	0.781	19.84	126
70246941	HM88630	Cone	1.000	25.40	1.000	25.40	0.000	0.00	0.000	0.00	126
7710114	HM88649	Cone	1.375	34.93	1.000	25.40	0.000	0.00	0.000	0.00	126

\* Use the Group Number from Cone section E-1 or Cup section E-2 to interchange cups and cones



# Tapered Roller Bearings Cups and Cones Interchange

Listed in Ascending Order by Interchange Group

**Bonus**

AGCO Part No.	Manufacturer Part No.	Type	Cone				Cup				Group No.*
			A		B		C		D		
			Interior Diameter (in)	(mm)	Cone Width (in)	(mm)	Outside Diameter (in)	(mm)	Cup Width (in)	(mm)	
212609M1	HM89410	Cup	0.000	0.00	0.000	0.00	3.000	76.20	0.906	23.01	127
70244195	HM89411	Cup	0.000	0.00	0.000	0.00	3.000	76.20	0.906	23.01	127
70244162	HM89446	Cone	1.375	34.93	1.125	28.58	0.000	0.00	0.000	0.00	127
165761A	HM89448	Cone	1.437	36.50	1.125	28.58	0.000	0.00	0.000	0.00	127
70927953	HM89449	Cone	1.437	36.50	1.125	28.58	0.000	0.00	0.000	0.00	127
70927273	LM102910	Cup	0.000	0.00	0.000	0.00	2.891	73.43	0.620	15.75	128
70927270	LM102949	Cone	1.781	45.24	0.780	19.81	0.000	0.00	0.000	0.00	128
14866	JLM104910	Cup	0.000	0.00	0.000	0.00	3.228	82.00	0.669	17.00	129
N14866	JLM104910	Cup	0.000	0.00	0.000	0.00	3.228	82.00	0.669	17.00	129
70932928	LM104911	Cup	0.000	0.00	0.000	0.00	3.250	82.55	0.650	16.51	129
70929740	LM104912	Cup	0.000	0.00	0.000	0.00	3.265	82.93	0.650	16.51	129
983941	LM104947A	Cone	1.969	50.00	0.875	22.23	0.000	0.00	0.000	0.00	129
X14867	JLM104948	Cone	1.969	50.00	0.847	21.51	0.000	0.00	0.000	0.00	129
70929742	LM104949	Cone	2.000	50.80	0.875	22.23	0.000	0.00	0.000	0.00	129
70929401	M201011	Cup	0.000	0.00	0.000	0.00	2.875	73.03	0.840	21.34	130
4303274	M201047	Cone	1.562	39.67	0.870	22.10	0.000	0.00	0.000	0.00	130
71162782	JM205110	Cup	0.000	0.00	0.000	0.00	3.543	90.00	0.905	23.00	131
71162781	JM205149	Cone	1.968	50.00	1.102	28.00	0.000	0.00	0.000	0.00	131
70928285	JM207010	Cup	0.000	0.00	0.000	0.00	3.740	95.00	0.925	23.50	132
70928284	JM207049	Cone	2.165	55.00	1.141	29.00	0.000	0.00	0.000	0.00	132
70928069	JH211710	Cup	0.000	0.00	0.000	0.00	4.724	120.00	1.259	32.00	133
70928064	JH211749	Cone	2.559	65.00	1.515	38.48	0.000	0.00	0.000	0.00	133
70680631	HM212010	Cup	0.000	0.00	0.000	0.00	4.812	122.22	1.170	29.72	134
70634567	HM212011	Cup	0.000	0.00	0.000	0.00	4.812	122.22	1.170	29.72	134
70087027	HM212046	Cone	2.500	63.50	1.510	38.35	0.000	0.00	0.000	0.00	134
70931012	HM212049	Cone	2.625	66.68	1.510	38.35	0.000	0.00	0.000	0.00	134
1P-5419	JH217249	Cone	3.346	85.00	1.811	46.00	0.000	0.00	0.000	0.00	135
AG723797	JH217210	Cup	0.000	0.00	0.000	0.00	5.905	150.00	1.496	38.00	135
1P-5420	JH217210#CA	Cup	0.000	0.00	0.000	0.00	5.905	150.00	1.496	38.00	135

\* Use the Group Number from Cone section E-1 or Cup section E-2 to interchange cups and cones



# Tapered Roller Bearings Cups and Cones Interchange

Listed in Ascending Order by Interchange Group

**Bonus**

AGCO Part No.	Manufacturer Part No.	Type	Cone				Cup				Group No.*
			A		B		C		D		
			Interior Diameter (in)	(mm)	Cone Width (in)	(mm)	Outside Diameter (in)	(mm)	Cup Width (in)	(mm)	
72162345	HM218210	Cup	0.000	0.00	0.000	0.00	5.787	147.00	1.279	32.49	136
72162346	HM218238	Cone	3.150	80.00	1.575	40.00	0.000	0.00	0.000	0.00	136
70928056	HM218248	Cone	3.543	90.00	1.574	40.00	0.000	0.00	0.000	0.00	136
843653M1	L225810	Cup	0.000	0.00	0.000	0.00	6.687	169.85	0.812	20.62	137
843655M1	L225849	Cone	5.000	127.00	1.031	26.19	0.000	0.00	0.000	0.00	137
31-1657250	L305610B	Cup	0.000	0.00	0.000	0.00	3.187	80.95	0.562	14.27	138
31-1657260	L305649	Cone	2.000	50.80	0.718	18.24	0.000	0.00	0.000	0.00	138
843352M2	JH307710	Cup	0.000	0.00	0.000	0.00	4.330	110.00	1.259	32.00	139
70931024	JH307710	Cup	0.000	0.00	0.000	0.00	4.330	110.00	1.259	32.00	139
70931025	JH307749	Cone	2.165	55.00	1.535	39.00	0.000	0.00	0.000	0.00	139
70937216	L319210	Cup	0.000	0.00	0.000	0.00	5.125	130.18	0.656	16.66	140
72163082	L319210	Cup	0.000	0.00	0.000	0.00	5.125	130.18	0.656	16.66	140
72163082	L319249	Cone	3.750	95.25	0.843	21.41	0.000	0.00	0.000	0.00	140
70177358	H414242	Cone	2.625	66.68	1.625	41.28	0.000	0.00	0.000	0.00	141
1612561M1	JH415610	Cup	0.000	0.00	0.000	0.00	5.708	145.00	1.653	42.00	142
1612560M1	JH415647	Cone	2.952	75.00	2.007	51.00	0.000	0.00	0.000	0.00	142
74254699	LM501310	Cup	0.000	0.00	0.000	0.00	2.891	73.43	0.580	14.73	143
WR15494	LM501310	Cup	0.000	0.00	0.000	0.00	2.891	73.43	0.580	14.73	143
SN1936	LM501310	Cup	0.000	0.00	0.000	0.00	2.891	73.43	0.580	14.73	143
SN1935	LM501349	Cone	1.625	41.28	0.780	19.81	0.000	0.00	0.000	0.00	143
WR15488	LM501349	Cone	1.625	41.28	0.780	19.81	0.000	0.00	0.000	0.00	143
74254700	LM501349	Cone	1.625	41.28	0.780	19.81	0.000	0.00	0.000	0.00	143
70247158	HH506311	Cup	0.000	0.00	0.000	0.00	4.500	114.30	1.420	36.07	144
70643276	HH506348	Cone	1.937	49.20	1.750	44.45	0.000	0.00	0.000	0.00	144
SNFK310063	JLM506810	Cup	0.000	0.00	0.000	0.00	3.543	90.00	0.728	18.50	145
AG713019	JLM506810	Cup	0.000	0.00	0.000	0.00	3.543	90.00	0.728	18.50	145
834829M1	JLM506810	Cup	0.000	0.00	0.000	0.00	3.543	90.00	0.728	18.50	145
SNFK310062	JLM506849	Cone	2.165	55.00	0.906	23.00	0.000	0.00	0.000	0.00	145



# Tapered Roller Bearings

## Cups and Cones Interchange

Listed in Ascending Order by Interchange Group

**Bonus**

AGCO Part No.	Manufacturer Part No.	Type	Cone				Cup				Group No.*
			A		B		C		D		
			Interior Diameter (in)	(mm)	Cone Width (in)	(mm)	Outside Diameter (in)	(mm)	Cup Width (in)	(mm)	
AG713020	JLM506849	Cone	2.165	55.00	0.906	23.00	0.000	0.00	0.000	0.00	145
834828M1	JLM506849	Cone	2.165	55.00	0.906	23.00	0.000	0.00	0.000	0.00	145
700723853	JLM506849A	Cone	2.165	55.00	0.905	23.00	0.000	0.00	0.000	0.00	145
70933016	JLM508710	Cup	0.000	0.00	0.000	0.00	3.740	95.00	0.748	19.00	146
70933017	JLM508748	Cone	2.362	60.00	0.944	24.00	0.000	0.00	0.000	0.00	146
AG720015	JM511910	Cup	0.000	0.00	0.000	0.00	4.331	110.00	0.886	22.50	147
70929396	JM511910	Cup	0.000	0.00	0.000	0.00	4.331	110.00	0.886	22.50	147
70929399	JM511946	Cone	2.559	65.00	1.102	28.00	0.000	0.00	0.000	0.00	147
AG843470	JM511946	Cone	2.559	65.00	1.102	28.00	0.000	0.00	0.000	0.00	147
70927348	JM515610	Cup	0.000	0.00	0.000	0.00	5.118	130.00	1.122	28.50	148
70927347	JM515649	Cone	3.149	80.00	1.338	34.00	0.000	0.00	0.000	0.00	148
70633711	HM516410	Cup	0.000	0.00	0.000	0.00	5.250	133.35	1.281	32.54	149
984172	HM516442	Cone	3.000	76.20	1.562	39.67	0.000	0.00	0.000	0.00	149
984173	HM516447	Cone	3.187	80.95	1.562	39.67	0.000	0.00	0.000	0.00	149
70929726	HM516448	Cone	3.250	82.55	1.562	39.67	0.000	0.00	0.000	0.00	149
10A21422	HM516449C	Cone	3.250	82.55	1.562	39.67	0.000	0.00	0.000	0.00	149
834816M1	JHM516810	Cup	0.000	0.00	0.000	0.00	5.511	140.00	1.240	31.50	150
834815M1	JHM516849	Cone	3.346	85.00	1.496	38.00	0.000	0.00	0.000	0.00	150
AG027643	LM522548	Cone	4.330	110.00	1.375	34.93	0.000	0.00	0.000	0.00	151
AG027642	LM522510	Cup	0.000	0.00	0.000	0.00	6.299	160.00	1.062	27.00	151
700715743	JHM522649	Cone	4.330	110.00	1.811	46.00	0.000	0.00	0.000	0.00	152
700715745	JHM522610	Cup	0.000	0.00	0.000	0.00	7.086	180.00	1.496	38.00	152
72527672	JHM534149	Cone	6.692	170.00	1.496	38.00	0.000	0.00	0.000	0.00	153
72527674	JHM534110	Cup	0.000	0.00	0.000	0.00	9.055	230.00	1.220	31.00	153
3D-9133	LM545810#CA	Cup	0.000	0.00	0.000	0.00	12.375	314.33	1.437	36.51	154
3D-9132	LM545849	Cone	9.250	234.95	1.937	49.20	0.000	0.00	0.000	0.00	154
SN3684	LM603011	Cup	0.000	0.00	0.000	0.00	3.062	77.77	0.593	15.06	155
833094M1	LM603011	Cup	0.000	0.00	0.000	0.00	3.062	77.77	0.593	15.06	155
70937206	LM603012	Cup	0.000	0.00	0.000	0.00	3.062	77.77	0.656	16.66	155
833847M1	LM603014	Cup	0.000	0.00	0.000	0.00	3.149	80.00	0.593	15.06	155

\* Use the Group Number from Cone section E-1 or Cup section E-2 to interchange cups and cones



# Tapered Roller Bearings Cups and Cones Interchange

Listed in Ascending Order by Interchange Group

**Bonus**

AGCO Part No.	Manufacturer Part No.	Type	Cone				Cup				Group No.*
			A		B		C		D		
			Interior Diameter (in)	(mm)	Cone Width (in)	(mm)	Outside Diameter (in)	(mm)	Cup Width (in)	(mm)	
10A21845	LM603014	Cup	0.000	0.00	0.000	0.00	3.149	80.00	0.593	15.06	155
SN3683	LM603049	Cone	1.781	45.24	0.781	19.84	0.000	0.00	0.000	0.00	155
833095M1	LM603049	Cone	1.781	45.24	0.781	19.84	0.000	0.00	0.000	0.00	155
843857M1	L610549	Cone	2.500	63.50	0.750	19.05	0.000	0.00	0.000	0.00	156
71162723	JM612910	Cup	0.000	0.00	0.000	0.00	4.527	115.00	0.905	23.00	157
71162724	JM612949	Cone	2.755	70.00	1.141	29.00	0.000	0.00	0.000	0.00	157
70240289	LM613410	Cup	0.000	0.00	0.000	0.00	4.437	112.70	0.625	193.00	158
70240364	LM613449	Cone	2.750	69.85	0.866	22.00	0.000	0.00	0.000	0.00	158
1054561M1	JLM704610	Cup	0.000	0.00	0.000	0.00	3.307	84.00	0.689	17.50	159
1054560M1	JLM704649	Cone	1.968	50.00	0.866	22.00	0.000	0.00	0.000	0.00	159
70930426	JLM710910	Cup	0.000	0.00	0.000	0.00	4.133	105.00	0.728	18.50	160
70930424	JLM710949C	Cone	2.559	65.00	0.905	22.99	0.000	0.00	0.000	0.00	160
35A8236	LL713010	Cup	0.000	0.00	0.000	0.00	3.875	98.43	0.375	9.53	161
35A8235	LL713049	Cone	2.750	69.85	0.531	13.49	0.000	0.00	0.000	0.00	161
70928857	JLM714110	Cup	0.000	0.00	0.000	0.00	4.527	115.00	0.748	19.00	162
70928858	JLM714149	Cone	2.952	75.00	0.984	25.00	0.000	0.00	0.000	0.00	162
AG028804	JLM714110	Cup	0.000	0.00	0.000	0.00	4.527	115.00	0.748	19.00	162
AG028803	JLM714149	Cone	2.952	75.00	0.984	25.00	0.000	0.00	0.000	0.00	162
70930883	JM714210	Cup	0.000	0.00	0.000	0.00	4.724	120.00	0.984	25.00	163
70930884	JM714249	Cone	2.952	75.00	1.161	29.49	0.000	0.00	0.000	0.00	163
2D-9454	H715311PW2#CA	Cup	0.000	0.00	0.000	0.00	5.375	136.53	1.437	36.51	164
AG706710	H715311PW-2	Cup	0.000	0.00	0.000	0.00	5.375	136.53	1.437	36.51	164
833051M1	H715311	Cup	0.000	0.00	0.000	0.00	5.375	136.53	1.437	36.51	164
984264	H715311A	Cup	0.000	0.00	0.000	0.00	5.375	136.53	1.437	36.51	164
834594M1	H715332	Cone	2.375	60.33	1.813	46.04	0.000	0.00	0.000	0.00	164
843351M2	H715348	Cone	3.062	77.77	1.813	46.04	0.000	0.00	0.000	0.00	164
834951M1	JM716610	Cup	0.000	0.00	0.000	0.00	5.118	130.00	0.944	24.00	165
AG706213	JM716610	Cup	0.000	0.00	0.000	0.00	5.118	130.00	0.944	24.00	165
4336119	JM716648	Cone	3.346	85.00	1.141	29.00	0.000	0.00	0.000	0.00	165
834950M1	JM716649	Cone	3.346	85.00	1.141	29.00	0.000	0.00	0.000	0.00	165

\* Use the Group Number from Cone section E-1 or Cup section E-2 to interchange cups and cones





# Tapered Roller Bearings

## Cups and Cones Interchange

Listed in Ascending Order by Interchange Group

**Bonus**

AGCO Part No.	Manufacturer Part No.	Type	Cone				Cup				Group No.*
			A		B		C		D		
			Interior Diameter (in)	(mm)	Cone Width (in)	(mm)	Outside Diameter (in)	(mm)	Cup Width (in)	(mm)	
70937180	JM719113	Cup	0.000	0.00	0.000	0.00	5.905	150.00	1.063	27.00	166
U12092	JM719113	Cup	0.000	0.00	0.000	0.00	5.905	150.00	1.063	27.00	166
70937181	JM719149	Cone	3.740	95.00	1.338	33.99	0.000	0.00	0.000	0.00	166
843691M1	JHM720210	Cup	0.000	0.00	0.000	0.00	6.299	160.00	1.259	32.00	167
843690M1	JHM720249	Cone	3.937	100.00	1.574	40.00	0.000	0.00	0.000	0.00	167
AG720089	JM720210	Cup	0.000	0.00	0.000	0.00	6.102	155.00	1.102	28.00	168
700703800	JM720210	Cup	0.000	0.00	0.000	0.00	6.102	155.00	1.102	28.00	168
700703802	JM720249	Cone	3.937	100.00	1.378	35.00	0.000	0.00	0.000	0.00	168
AG720088	JM720249	Cone	3.937	100.00	1.378	35.00	0.000	0.00	0.000	0.00	168
70932975	HM801310	Cup	0.000	0.00	0.000	0.00	3.250	82.55	0.906	23.00	169
72162895	HM801346	Cone	1.500	38.10	1.125	28.58	0.000	0.00	0.000	0.00	169
70932973	HM801349	Cone	1.594	40.48	1.125	28.58	0.000	0.00	0.000	0.00	169
6S-6031	M802011	Cup	0.000	0.00	0.000	0.00	3.250	82.55	0.795	20.19	170
70927091	M802011	Cup	0.000	0.00	0.000	0.00	3.250	82.55	0.795	20.19	170
70927090	M802048	Cone	1.625	41.28	1.010	25.65	0.000	0.00	0.000	0.00	170
71160044	HM803110	Cup	0.000	0.00	0.000	0.00	3.500	88.90	0.906	23.00	171
70936041	HM803111	Cup	0.000	0.00	0.000	0.00	3.500	88.90	0.906	23.00	171
831765M1	HM803145	Cone	1.625	41.28	1.156	29.36	0.000	0.00	0.000	0.00	171
843034M1	HM803146	Cone	1.625	41.28	1.156	29.36	0.000	0.00	0.000	0.00	171
70929834	HM803149	Cone	1.750	44.45	1.156	29.36	0.000	0.00	0.000	0.00	171
5P-9652	M804010	Cup	0.000	0.00	0.000	0.00	3.500	88.90	0.750	19.05	172
70937162	M804010	Cup	0.000	0.00	0.000	0.00	3.500	88.90	0.750	19.05	172
70937161	M804049	Cone	1.875	47.63	1.000	25.40	0.000	0.00	0.000	0.00	172
AG026480	HM804810	Cup	0.000	0.00	0.000	0.00	3.750	95.25	0.906	23.00	173
831047M1	HM804810	Cup	0.000	0.00	0.000	0.00	3.750	95.25	0.906	23.00	173
833296M1	4T-HM804840	Cone	1.625	41.28	1.156	29.37	0.000	0.00	0.000	0.00	173
AG707120	HM804842	Cone	1.750	44.45	1.156	29.36	0.000	0.00	0.000	0.00	173
12672	HM804843	Cone	1.750	44.45	1.156	29.36	0.000	0.00	0.000	0.00	173
AG026478	HM804843	Cone	1.750	44.45	1.156	29.36	0.000	0.00	0.000	0.00	173
15306	HM804846	Cone	1.875	47.63	1.156	29.36	0.000	0.00	0.000	0.00	173

\* Use the Group Number from Cone section E-1 or Cup section E-2 to interchange cups and cones



# Tapered Roller Bearings Cups and Cones Interchange

Listed in Ascending Order by Interchange Group

**Bonus**

AGCO Part No.	Manufacturer Part No.	Type	Cone				Cup				Group No.*
			A		B		C		D		
			Interior Diameter (in)	(mm)	Cone Width (in)	(mm)	Outside Diameter (in)	(mm)	Cup Width (in)	(mm)	
AG028807	HM804846	Cone	1.875	47.63	1.156	29.36	0.000	0.00	0.000	0.00	173
7445-29	HM804848	Cone	1.906	48.41	1.156	29.36	0.000	0.00	0.000	0.00	173
984335	HM804849	Cone	1.906	48.41	1.156	29.36	0.000	0.00	0.000	0.00	173
843382M1	LM806610	Cup	0.000	0.00	0.000	0.00	3.500	88.90	0.531	13.49	174
843381M1	LM806649	Cone	2.125	54.00	0.750	19.05	0.000	0.00	0.000	0.00	174
831205M1	HM807010	Cup	0.000	0.00	0.000	0.00	4.125	104.78	1.125	28.58	175
AG705242	HM807010	Cup	0.000	0.00	0.000	0.00	4.125	104.78	1.125	28.58	175
AG706697	HM807010	Cup	0.000	0.00	0.000	0.00	4.125	104.78	1.125	28.58	175
70930427	HM807011	Cup	0.000	0.00	0.000	0.00	4.125	104.78	1.125	28.58	175
834522M1	JHM807012	Cup	0.000	0.00	0.000	0.00	4.133	104.98	1.141	28.98	175
832588M1	HM807040	Cone	1.750	44.45	1.437	36.50	0.000	0.00	0.000	0.00	175
1295784	HM807044	Cone	1.937	49.20	1.437	36.50	0.000	0.00	0.000	0.00	175
70933773	JHM807045	Cone	1.968	50.00	1.417	36.00	0.000	0.00	0.000	0.00	175
AG705243	HM807046	Cone	2.000	50.80	1.437	36.50	0.000	0.00	0.000	0.00	175
70934840	HM807046	Cone	2.000	50.80	1.437	36.50	0.000	0.00	0.000	0.00	175
72163098	HM807049	Cone	2.125	54.00	1.437	36.50	0.000	0.00	0.000	0.00	175
843033M1	JLM813010	Cup	0.000	0.00	0.000	0.00	4.330	110.00	0.807	20.50	176
843035M1	JLM813049	Cone	2.755	70.00	0.984	25.00	0.000	0.00	0.000	0.00	176
843486M1	L812148	Cone	2.626	66.69	0.696	17.68	0.000	0.00	0.000	0.00	177
AG604444	HM813810	Cup	0.000	0.00	0.000	0.00	5.000	127.00	1.062	27.00	178
831767M1	HM813810	Cup	0.000	0.00	0.000	0.00	5.000	127.00	1.062	27.00	178
78001335	HM813841	Cone	2.375	60.33	1.437	36.50	0.000	0.00	0.000	0.00	178
AG026479	HM813842	Cone	2.500	63.50	1.437	36.50	0.000	0.00	0.000	0.00	178
AG604443	HM813846	Cone	2.750	69.85	1.437	36.50	0.000	0.00	0.000	0.00	178
70927957	L814710	Cup	0.000	0.00	0.000	0.00	4.312	109.52	0.593	15.06	179
70927949	L814749	Cone	3.000	76.20	0.750	19.05	0.000	0.00	0.000	0.00	179
833242M1	LM814810	Cup	0.000	0.00	0.000	0.00	4.625	117.48	0.750	19.05	180
833241M1	LM814849	Cone	3.062	77.77	1.000	25.40	0.000	0.00	0.000	0.00	180
AG706612	LM814810	Cup	0.000	0.00	0.000	0.00	4.625	117.48	0.750	19.05	180
AG706949	LM814849	Cone	3.062	77.77	1.000	25.40	0.000	0.00	0.000	0.00	180
AG706722	JM822010	Cup	0.000	0.00	0.000	0.00	6.496	165.00	1.043	26.50	181
70927349	JM822010	Cup	0.000	0.00	0.000	0.00	6.496	165.00	1.043	26.50	181

\* Use the Group Number from Cone section E-1 or Cup section E-2 to interchange cups and cones



# Tapered Roller Bearings Cups and Cones Interchange

Listed in Ascending Order by Interchange Group

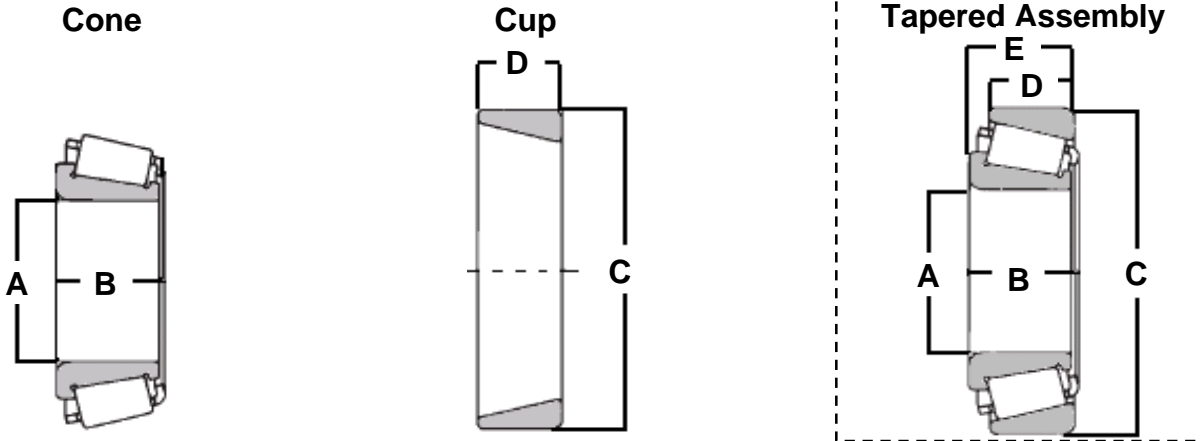


AGCO Part No.	Manufacturer Part No.	Type	Cone				Cup				Group No.*
			A		B		C		D		
			Interior Diameter (in)	(mm)	Cone Width (in)	(mm)	Outside Diameter (in)	(mm)	Cup Width (in)	(mm)	
70927350	JM822049	Cone	4.330	110.00	1.378	35.00	0.000	0.00	0.000	0.00	181
AG706721	JM822049	Cone	4.330	110.00	1.378	35.00	0.000	0.00	0.000	0.00	181
185778M1	HM903210	Cup	0.000	0.00	0.000	0.00	3.750	95.25	0.875	22.23	182
AG702946	HM903210	Cup	0.000	0.00	0.000	0.00	3.750	95.25	0.875	22.23	182
1850090M92	HM903210	Cup	0.000	0.00	0.000	0.00	3.750	95.25	0.875	22.23	182
1850090V92	HM903210	Cup	0.000	0.00	0.000	0.00	3.750	95.25	0.875	22.23	182
831888M1	HM903249	Cone	1.750	44.45	1.125	28.58	0.000	0.00	0.000	0.00	182
1850090M92	HM903249	Cone	1.750	44.45	1.125	28.58	0.000	0.00	0.000	0.00	182
1850090V92	HM903249	Cone	1.750	44.45	1.125	28.58	0.000	0.00	0.000	0.00	182
74996039	M903310	Cup	0.000	0.00	0.000	0.00	3.625	92.08	0.656	16.66	183
74996043	M903345	Cone	1.625	41.28	0.937	23.80	0.000	0.00	0.000	0.00	183



# Tapered Roller Bearings Tapered Assembly

Listed In Ascending Order by Interior Diameter



AGCO offers a wide range of bearings from a number of manufacturers. These Manufacturer Part Numbers are listed for reference only. The part number will not guarantee a specific manufacturer.

AGCO Part No.	Manufacturer Part No.	Cone		Cup		Cone		Cup		E	
		A		B		C		D		E	
		Interior Diameter (in)	(mm)	Cone Width (in)	(mm)	Outside Diameter (in)	(mm)	Cup Width (in)	(mm)	Total Width (in)	(mm)
6215029	LR201RRU	0.433	11.00	1.378	35.00	0.591	15.00	0.394	10.00	1.378	35.00
1109953	30203	0.669	17.00	0.472	12.00	1.575	40.00	0.433	11.00	0.522	13.25
2513850W91	LM11949 ASSY 90013	0.750	19.05	0.655	16.64	1.780	45.21	0.475	12.07	0.610	15.49
1440634V1	30204JR	0.787	20.00	0.472	12.00	1.850	47.00	0.433	11.00	0.522	13.25
1440634X1	30204JR	0.787	20.00	0.472	12.00	1.850	47.00	0.433	11.00	0.522	13.25
3734310M1	30304JR	0.787	20.00	0.591	15.00	2.047	52.00	0.512	13.00	0.640	16.25
1053218M91	990014 (1220 / 1280)	0.875	22.23	0.875	22.23	2.250	57.15	0.688	17.46	0.875	22.23
30-3479811	32205B-92KA1	0.984	25.00	0.709	18.00	2.047	52.00	0.591	15.00	0.758	19.25
1109955	30205A	0.984	25.00	0.640	16.25	2.047	52.00	0.591	15.00	0.640	16.25
700001840	30205JR	0.984	25.00	0.591	15.00	2.047	52.00	0.512	13.00	0.640	16.25
1109977	30305A	0.984	25.00	0.669	17.00	2.441	62.00	0.591	15.00	0.719	18.25
1442550X1	4T-32305	0.984	25.00	0.945	24.00	2.441	62.00	0.787	20.00	0.994	25.25
51805	07000LA 902A1	1.000	25.40	0.561	14.26	1.969	50.00	0.375	9.53	0.594	15.09
71326257	L44600LA-902A1	1.000	25.40	0.591	15.00	1.980	50.29	0.420	10.67	0.591	15.00
700710419	L44600LA-902A7	1.000	25.40	1.245	31.62	2.078	52.78	0.965	24.51	1.245	31.62
70926704	L44643 ASY90025	1.000	25.40	0.580	14.73	1.980	50.29	0.420	10.67	0.560	14.22
70926789	L44643 ASY90050	1.000	25.40	0.580	14.73	1.980	50.29	0.420	10.67	0.560	14.22
1053223M91	M84210/M84249	1.000	25.40	0.910	23.11	2.344	59.53	0.720	18.29	0.920	23.37
72255684	BT1B639405	1.102	28.00	0.680	17.27	2.677	68.00	0.591	15.00	0.787	20.00
4303279	30206AR / 30286A	1.181	30.00	0.630	16.00	2.441	62.00	0.512	13.00	0.679	17.25
1109989	31306A	1.181	30.00	0.748	19.00	2.835	72.00	0.630	16.00	0.817	20.75
1104517	4T-33206	1.181	30.00	0.984	25.00	2.441	62.00	0.768	19.51	0.984	25.00
17391	30206	1.181	30.00	0.630	16.00	2.441	62.00	0.551	14.00	0.679	17.25
72255705	32306	1.181	30.00	1.063	27.00	2.835	72.00	0.906	23.00	1.132	28.75
1109956	30206A	1.181	30.00	0.630	16.00	2.441	62.00	0.551	14.00	0.679	17.25



# Tapered Roller Bearings Tapered Assembly

Listed In Ascending Order by Interior Diameter

AGCO Part No.	Manufacturer Part No.	Cone				Cup				E	
		A		B		C		D			
		Interior Diameter (in) (mm)		Cone Width (in) (mm)		Outside Diameter (in) (mm)		Cup Width (in) (mm)		Total Width (in) (mm)	
17390	30306JR	1.181	30.00	0.748	19.00	2.835	72.00	0.630	16.00	0.817	20.75
4330916	32006JR	1.181	30.00	0.669	17.00	2.165	55.00	0.512	13.00	0.669	17.00
1136507	32006X	1.181	30.00	0.669	17.00	2.165	55.00	0.512	13.00	0.669	17.00
700712353	32206J 2/Q	1.181	30.00	0.787	20.00	2.441	62.00	0.669	17.00	0.837	21.25
3281549M1	4T-FL30206PX1	1.181	30.00	0.630	16.00	2.441	62.00	0.551	14.00	0.679	17.25
1042596M1	M86610/M86649	1.188	30.16	0.844	21.43	2.531	64.29	0.656	16.67	0.844	21.43
1042596V1	M86610/M86649	1.188	30.16	0.844	21.43	2.531	64.29	0.656	16.67	0.844	21.43
3282907M1	15123 / 15245	1.250	31.75	0.750	19.05	2.441	62.00	0.563	14.29	0.750	19.05
72102502	15123/245 (A)	1.250	31.75	0.750	19.05	2.441	62.00	0.563	14.29	0.750	19.05
W9112030	LM67048	1.250	31.75	0.660	16.76	2.318	58.88	0.465	11.81	0.625	15.88
833633M91	LM67048-90041	1.250	31.75	0.625	15.88	2.329	59.16	0.594	15.09	1.413	35.89
1136509	320/32X	1.260	32.00	0.669	17.00	2.283	58.00	0.512	13.00	0.669	17.00
603600A	31523RB / 31597	1.313	33.34	1.125	28.58	3.125	79.38	0.938	23.81	1.156	29.37
700706124	LM48548-90038	1.375	34.93	0.720	18.29	2.563	65.09	0.550	13.97	1.558	39.57
1173661	19138 / 19268	1.378	35.00	0.650	16.52	2.688	68.26	0.469	11.91	0.625	15.88
4357806	LM7831OC/LM78349A	1.378	35.00	0.669	17.00	2.440	61.97	0.591	15.00	0.709	18.00
1109957	30207A	1.378	35.00	0.719	17.00	2.835	72.00	0.591	15.00	0.709	18.00
1109957V	30207A	1.378	35.00	0.719	17.00	2.835	72.00	0.591	15.00	0.709	18.00
1110001V	32207JR	1.378	35.00	0.906	23.00	2.835	72.00	0.748	19.00	0.955	24.25
390876X1	32307	1.378	35.00	1.221	31.00	3.150	80.00	0.984	25.00	1.289	32.75
1109979	30307A	1.378	35.00	0.827	21.00	3.150	80.00	0.709	18.00	0.896	22.75
1101137	31307A	1.378	35.00	0.827	21.00	3.150	80.00	0.709	18.00	0.896	22.75
1136482	32007X/Q	1.378	35.00	0.709	18.00	2.441	62.00	0.551	14.00	0.709	18.00
1110001	32207JR	1.378	35.00	0.906	23.00	2.835	72.00	0.748	19.00	0.955	24.25
1137018	33207JR	1.378	35.00	1.102	28.00	2.835	72.00	0.866	22.00	1.102	28.00
74357289	LM29749ASY 90013	1.500	38.10	0.720	18.29	2.656	67.46	0.550	13.97	1.560	39.62
155769A	44158/44363D	1.563	39.69	0.933	23.70	3.625	92.08	1.563	39.69	2.188	55.56
1440635X1	30308	1.575	40.00	0.906	23.00	3.543	90.00	0.787	20.00	0.994	25.25
70272712	31308	1.575	40.00	0.906	23.00	3.543	90.00	0.669	17.00	0.994	25.25
1440636X1	32308	1.575	40.00	1.299	33.00	3.543	90.00	1.063	27.00	1.388	35.25
1139457	33108	1.575	40.00	0.906	23.00	3.543	90.00	0.669	17.00	0.994	25.25
1109958	30208JR	1.575	40.00	0.709	18.00	3.150	80.00	0.630	16.00	0.778	19.75
4351472	32008X-VB022	1.575	40.00	0.748	19.00	2.677	68.00	0.571	14.50	0.748	19.00
1110002	32208A	1.575	40.00	0.906	23.00	3.150	80.00	0.748	19.00	0.974	24.75
30-3415171	32308-B	1.575	40.00	1.299	33.00	3.543	90.00	1.063	27.00	1.388	35.25
1173480	18590 / 18520	1.625	41.28	0.688	17.46	2.875	73.03	0.500	12.70	0.656	16.67
70241492	3877A/3822RB	1.625	41.28	1.187	30.14	3.470	88.13	0.938	23.83	1.188	30.18
984323	HM803111/HM803149	1.750	44.45	1.563	39.70	3.500	88.90	0.906	23.02	1.188	30.16



# Tapered Roller Bearings

## Tapered Assembly

Listed In Ascending Order by Interior Diameter

AGCO Part No.	Manufacturer Part No.	Cone				Cup				E	
		A		B		C		D			
		Interior Diameter (in)	(mm)	Cone Width (in)	(mm)	Outside Diameter (in)	(mm)	Cup Width (in)	(mm)	Total Width (in)	(mm)
71356528	HM807010 / HM807040	1.750	44.45	1.438	36.51	4.125	104.78	1.125	28.58	1.438	36.51
1850090M92	HM903210/HM903249	1.750	44.45	1.125	28.58	3.750	95.25	0.875	22.23	1.219	30.96
1850090V92	HM903210/HM903249	1.750	44.45	1.125	28.58	3.750	95.25	0.875	22.23	1.219	30.96
30-3214613	HM903249 90013	1.750	44.45	1.125	28.58	3.750	95.25	0.875	22.23	2.954	75.00
1109992	31309	1.772	45.00	0.984	25.00	3.937	100.00	0.709	18.00	1.073	27.25
1136214	32009	1.772	45.00	0.787	20.00	2.953	75.00	0.610	15.50	0.787	20.00
72090066	30209JR	1.772	45.00	0.748	19.00	3.347	85.00	0.630	16.00	0.817	20.75
1440640X1	30309A	1.772	45.00	0.984	25.00	3.937	100.00	0.866	22.00	1.073	27.25
1440826X1	31309J-N / 31309JR-N	1.772	45.00	0.984	25.00	3.937	100.00	0.709	18.00	1.073	27.25
1101909	32209 J2/Q	1.772	45.00	0.906	23.00	3.347	85.00	0.748	19.00	0.974	24.75
70272800	32309 BJ2/B46	1.772	45.00	1.417	36.00	3.937	100.00	1.142	29.00	1.506	38.25
700712779	LM603049-90019	1.781	45.24	1.742	44.25	3.202	81.33	0.594	15.09	1.742	44.25
74253825	18690 ASSY 90019	1.813	46.04	0.688	17.46	3.125	79.38	0.531	13.50	0.688	17.46
72162623	M804010/M804049	1.875	47.63	1.000	25.40	3.500	88.90	0.750	19.05	1.000	25.40
4353209	BT1B332986Q	1.890	48.00	0.250	6.35	2.835	72.00	0.669	17.00	0.906	23.00
984151	HH506311/HH5063	1.969	50.00	1.750	44.45	4.500	114.30	1.420	36.07	1.750	44.45
983941	LM104947A /LM104911	1.969	50.00	0.875	22.23	3.250	82.55	0.650	16.51	0.850	21.59
3734343M1	33210	1.969	50.00	1.260	32.00	3.543	90.00	0.965	24.50	1.260	32.00
72092848	30210A	1.969	50.00	0.787	20.00	3.543	90.00	0.669	17.00	0.856	21.75
1101386	30310A	1.969	50.00	1.063	27.00	4.331	110.00	0.906	23.00	1.152	29.25
3009853X1	32010X	1.969	50.00	0.787	20.00	3.150	80.00	0.610	15.50	0.787	20.00
3734319M1	32010XV	1.969	50.00	0.787	20.00	3.150	80.00	0.610	15.50	0.787	20.00
1110003	32210JR	1.969	50.00	0.906	23.00	3.543	90.00	0.748	19.00	0.974	24.75
1101339	32310A	1.969	50.00	1.575	40.00	4.331	110.00	1.299	33.00	1.663	42.25
72162531	JLM104910 / JLM104948	1.969	50.00	0.847	21.50	3.228	82.00	0.669	17.00	0.847	21.50
72162619	JM205149/JM205110	1.969	50.00	1.102	28.00	3.543	90.00	0.906	23.00	1.102	28.00
1173464	18790 / 18720	2.000	50.80	0.688	17.46	3.347	85.00	0.531	13.50	0.688	17.46
3405345M91	368A/363	2.000	50.80	0.875	22.23	3.543	90.00	0.787	20.00	0.787	20.00
70223308	375,3780,3729D	2.000	50.80	2.708	68.78	3.673	93.29	2.067	52.49	2.317	58.84
882554M91	3780 / 3720	2.000	50.80	1.193	30.30	3.672	93.26	0.938	23.81	1.188	30.16
70244141	385A/384SW, HM807046/010	2.000	50.80	2.530	64.27	4.126	104.80	2.000	50.80	2.530	64.27
71355352	522 / 529	2.000	50.80	1.420	36.07	4.000	101.60	1.063	27.00	1.375	34.93
1042597M1	529 / 522	2.000	50.80	1.420	36.07	4.000	101.60	1.063	27.00	1.375	34.93
3405341M91	HM807010/HM807046	2.000	50.80	1.438	36.51	4.125	104.78	1.125	28.58	1.438	36.51
70246526	389A/384SW, HM807049/010	2.126	54.00	2.530	64.27	4.126	104.80	2.000	50.80	2.530	64.27
1130692	33111JR	2.165	55.00	1.181	30.00	3.740	95.00	0.906	23.00	1.181	30.00
72090067	30211JR	2.165	55.00	0.827	21.00	3.937	100.00	0.709	18.00	0.896	22.75
1109995	31311A	2.165	55.00	1.142	29.00	4.724	120.00	0.984	25.00	1.240	31.50



# Tapered Roller Bearings Tapered Assembly

Listed In Ascending Order by Interior Diameter

AGCO Part No.	Manufacturer Part No.	Cone				Cup				E	
		A		B		C		D			
		Interior Diameter (in) (mm)		Cone Width (in) (mm)		Outside Diameter (in) (mm)		Cup Width (in) (mm)		Total Width (in) (mm)	
1101597	32011 X/Q	2.165	55.00	0.906	23.00	3.543	90.00	0.689	17.50	0.906	23.00
1125929	32211JR	2.165	55.00	0.984	25.00	3.937	100.00	0.827	21.00	1.053	26.75
981074	JLM506810 JLM506849	2.165	55.00	0.906	23.00	3.543	90.00	0.728	18.50	0.906	23.00
8050205	389S/382A	2.188	55.58	1.034	26.26	3.183	80.84	0.625	15.88	1.034	26.26
8050213	66583 / 66520	2.195	55.75	1.250	31.75	4.813	122.24	0.938	23.81	1.313	33.34
982101	387/382	2.250	57.15	0.864	21.95	3.875	98.43	0.702	17.83	0.827	21.00
700726369	32212	2.362	60.00	1.102	28.00	4.331	110.00	0.945	24.00	1.171	29.75
339439X1	30212JR	2.362	60.00	0.866	22.00	4.331	110.00	0.748	19.00	0.935	23.75
1109985	30312A	2.362	60.00	1.221	31.00	5.118	130.00	0.866	22.00	1.319	33.50
1132697	32012JR	2.362	60.00	0.906	23.00	3.740	95.00	0.689	17.50	0.906	23.00
72255674	30212A	2.362	60.00	0.935	23.75	4.331	110.00	0.748	19.00	0.935	23.75
983687	65501/65237	2.375	60.33	1.750	44.45	5.000	127.00	1.375	34.93	1.750	44.45
8050197	3982/3920	2.500	63.50	1.183	30.05	4.438	112.71	0.938	23.81	1.196	30.37
391337X1	30213JR	2.559	65.00	0.906	23.00	4.724	120.00	0.787	20.00	0.974	24.75
391339X1	32013XU	2.559	65.00	0.906	23.00	3.937	100.00	0.689	17.50	0.906	23.00
981086	JLM710910/JLM710949C	2.559	65.00	0.906	23.00	4.134	105.00	0.728	18.50	0.945	24.00
72162620	JM511910/JM511946	2.559	65.00	1.102	28.00	4.331	110.00	0.886	22.50	1.102	28.00
72163184	394A & 395A	2.625	66.68	0.866	22.00	4.331	110.00	0.741	18.82	0.866	22.00
70239002	4T-H715341/H715311	2.625	66.68	1.813	46.04	5.375	136.53	1.438	36.51	1.813	46.04
3734320M1	32014JR	2.756	70.00	0.984	25.00	4.331	110.00	0.748	19.00	0.984	25.00
71355915	32014X	2.756	70.00	0.984	25.00	4.331	110.00	0.748	19.00	0.984	25.00
3393189	32214JR	2.756	70.00	1.221	31.00	4.921	125.00	1.036	26.31	1.309	33.25
981095	JLM813010/JLM813049	2.756	70.00	0.984	25.00	4.331	110.00	0.807	20.50	1.024	26.00
1109964	30214JR	2.756	70.00	0.945	24.00	4.921	125.00	0.827	21.01	1.033	26.24
71179958	LM11900LA 902A1/LM11910	2.756	70.00	0.512	13.00	1.772	45.00	0.472	11.99	0.709	18.00
1221928	29685 / 29620	2.875	73.00	1.000	25.40	4.438	112.71	0.750	19.05	1.000	25.40
391336X1	30215JR	2.953	75.00	0.984	25.00	5.118	130.00	0.866	22.00	1.073	27.25
1101901	32015JR	2.953	75.00	0.984	25.00	4.528	115.00	0.748	19.00	0.984	25.00
700726370	32215 92KA1	2.953	75.00	0.984	25.00	5.118	130.00	0.748	19.00	0.984	25.00
1214887	JM714210/JM714249	2.953	75.00	1.161	29.50	4.724	120.00	0.984	25.00	1.221	31.00
1883279M91	495A/493	3.000	76.20	1.172	29.77	5.375	136.53	0.875	22.23	1.188	30.16
1126121	30216JR	3.150	80.00	1.024	26.00	5.512	140.00	0.866	22.00	1.112	28.25
1137549	32016X	3.150	80.00	1.142	29.00	4.921	125.00	0.866	22.00	1.142	29.00
72162622	JM515610 / JM515649	3.150	80.00	1.339	34.00	5.118	130.00	1.122	28.50	1.378	35.00
1881931M91	27687 / 27620	3.250	82.55	1.000	25.40	4.938	125.41	0.781	19.85	1.000	25.40
72162537	6559C / 6535	3.250	82.55	2.169	55.10	6.375	161.93	1.688	42.86	2.125	53.98
2490660W1	27690 / 90049	3.281	83.35	1.000	25.40	4.938	125.41	0.781	19.85	1.250	31.75
3405346M91	493/498	3.313	84.14	1.172	29.77	5.375	136.53	0.875	22.23	1.188	30.16



# Tapered Roller Bearings Tapered Assembly

Listed In Ascending Order by Interior Diameter

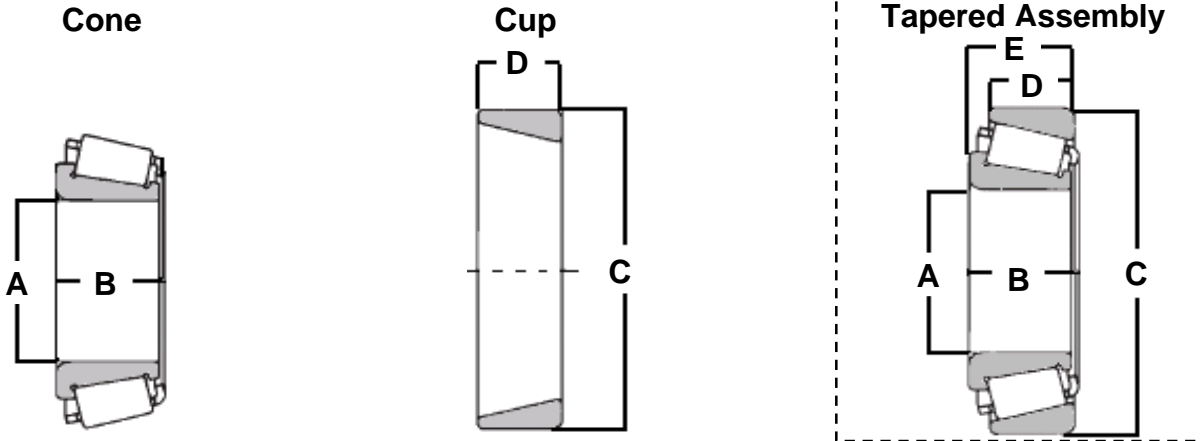
AGCO Part No.	Manufacturer Part No.	Cone				Cup				E	
		A		B		C		D			
		Interior Diameter (in) (mm)		Cone Width (in) (mm)		Outside Diameter (in) (mm)		Cup Width (in) (mm)		Total Width (in) (mm)	
72255679	30217JR	3.347	85.00	1.201	30.50	5.906	150.00	0.945	24.00	1.201	30.50
1126122	30217	3.347	85.00	1.102	28.00	5.906	150.00	0.945	24.00	1.201	30.50
1125783	32017JR	3.347	85.00	1.142	29.00	5.118	130.00	0.866	22.00	1.142	29.00
3734308M1	32017JR	3.347	85.00	1.142	29.00	5.118	130.00	0.866	22.00	1.142	29.00
981113	JM716649/JM716610	3.347	85.00	1.142	29.00	5.118	130.00	0.945	24.00	1.181	30.00
3734309M1	30218JR	3.543	90.00	1.181	30.00	6.299	160.00	1.024	26.00	1.280	32.50
1103228	32018XA	3.543	90.00	1.260	32.00	5.512	140.00	0.945	24.00	1.260	32.00
8050189	598 / 592XS	3.625	92.08	1.430	36.32	5.813	147.64	1.031	26.19	1.414	35.92
1109970	30219	3.740	95.00	1.260	32.00	6.693	170.00	1.063	27.00	1.358	34.50
1102043	32019XA	3.740	95.00	1.260	32.00	5.709	145.00	0.945	24.00	1.260	32.00
W981128	JM719149/JM719113	3.740	95.00	1.339	34.00	5.906	150.00	1.360	34.54	1.378	35.00
3383709M1	594/593X	3.750	95.25	1.430	36.32	5.906	150.00	1.063	27.00	1.417	36.00
72163082	L319210 / L319249	3.750	95.25	0.844	21.43	5.125	130.18	0.656	16.67	0.813	20.64
981131	JM720210/JM720249	3.937	100.00	1.575	40.00	6.300	160.01	1.260	32.00	1.614	41.00
3426850M2	T4CB100	3.937	100.00	0.945	24.00	5.709	145.00	0.689	17.50	0.945	24.00
3426850V2	T4CB100	3.937	100.00	0.945	24.00	5.709	145.00	0.689	17.50	0.945	24.00
30-3318206	32020X	4.134	105.00	1.378	35.00	6.299	160.00	1.024	26.00	1.378	35.00
30-3318214	32021X	4.134	105.00	1.378	35.00	6.299	160.00	1.024	26.00	1.378	35.00
70272746	56425/56650	4.250	107.95	1.438	36.51	6.500	165.10	1.063	27.00	1.438	36.51
167323A	56662/56425	4.250	107.95	1.438	36.51	6.625	168.28	1.063	27.00	1.438	36.51
3176330M1	37431A/37625	4.310	109.47	0.844	21.44	6.250	158.75	0.625	16.00	0.906	23.02
1101856	32022X	4.331	110.00	1.496	38.00	6.693	170.00	1.142	29.00	1.496	38.00
3426851M2	T4CB120	4.724	120.00	1.063	27.00	6.693	170.00	0.768	19.50	1.000	25.40
3426851V2	T4CB120	4.724	120.00	1.063	27.00	6.693	170.00	0.768	19.50	1.000	25.40
167322A	48320/48393	5.375	136.53	1.563	39.69	7.500	190.50	1.313	33.34	1.563	39.69
AG715302	T4CB140	5.512	140.00	1.575	40.00	7.677	195.00	0.827	21.00	1.142	29.00





# Tapered Roller Bearings Tapered Assembly

Listed In Ascending Order by Manufacturer Part No.



AGCO offers a wide range of bearings from a number of manufacturers. These Manufacturer Part Numbers are listed for reference only. The part number will not guarantee a specific manufacturer.

AGCO Part No.	Manufacturer Part No.	Cone				Cup				E	
		A		B		C		D			
		Interior Diameter (in)	(mm)	Cone Width (in)	(mm)	Outside Diameter (in)	(mm)	Cup Width (in)	(mm)	(in)	(mm)
51805	:07000LA 902A1	1.000	25.40	0.561	14.26	1.969	50.00	0.375	9.53	0.594	15.09
3282907M1	:15123 / 15245	1.250	31.75	0.750	19.05	2.441	62.00	0.563	14.29	0.750	19.05
72102502	:15123/245 (A)	1.250	31.75	0.750	19.05	2.441	62.00	0.563	14.29	0.750	19.05
1173480	:18590 / 18520	1.625	41.28	0.688	17.46	2.875	73.03	0.500	12.70	0.656	16.67
74253825	:18690 ASSY 90019	1.813	46.04	0.688	17.46	3.125	79.38	0.531	13.50	0.688	17.46
1173464	:18790 / 18720	2.000	50.80	0.688	17.46	3.347	85.00	0.531	13.50	0.688	17.46
1173661	:19138 / 19268	1.378	35.00	0.650	16.52	2.688	68.26	0.469	11.91	0.625	15.88
1881931M91	:27687 / 27620	3.250	82.55	1.000	25.40	4.938	125.41	0.781	19.85	1.000	25.40
2490660W1	:27690 / 90049	3.281	83.35	1.000	25.40	4.938	125.41	0.781	19.85	1.250	31.75
1221928	:29685 / 29620	2.875	73.00	1.000	25.40	4.438	112.71	0.750	19.05	1.000	25.40
1109953	:30203	0.669	17.00	0.472	12.00	1.575	40.00	0.433	11.00	0.522	13.25
1440634V1	:30204JR	0.787	20.00	0.472	12.00	1.850	47.00	0.433	11.00	0.522	13.25
1440634X1	:30204JR	0.787	20.00	0.472	12.00	1.850	47.00	0.433	11.00	0.522	13.25
1109955	:30205A	0.984	25.00	0.640	16.25	2.047	52.00	0.591	15.00	0.640	16.25
700001840	:30205JR	0.984	25.00	0.591	15.00	2.047	52.00	0.512	13.00	0.640	16.25
17391	:30206	1.181	30.00	0.630	16.00	2.441	62.00	0.551	14.00	0.679	17.25
1109956	:30206A	1.181	30.00	0.630	16.00	2.441	62.00	0.551	14.00	0.679	17.25
4303279	:30206AR / 30286A	1.181	30.00	0.630	16.00	2.441	62.00	0.512	13.00	0.679	17.25
1109957	:30207A	1.378	35.00	0.719	17.00	2.835	72.00	0.591	15.00	0.709	18.00
1109957V	:30207A	1.378	35.00	0.719	17.00	2.835	72.00	0.591	15.00	0.709	18.00
1109958	:30208JR	1.575	40.00	0.709	18.00	3.150	80.00	0.630	16.00	0.778	19.75
72090066	:30209JR	1.772	45.00	0.748	19.00	3.347	85.00	0.630	16.00	0.817	20.75
72092848	:30210A	1.969	50.00	0.787	20.00	3.543	90.00	0.669	17.00	0.856	21.75
72090067	:30211JR	2.165	55.00	0.827	21.00	3.937	100.00	0.709	18.00	0.896	22.75
72255674	:30212A	2.362	60.00	0.935	23.75	4.331	110.00	0.748	19.00	0.935	23.75



# Tapered Roller Bearings

## Tapered Assembly

Listed In Ascending Order by Manufacturer Part No.

AGCO Part No.	Manufacturer Part No.	Cone				Cup				E	
		A		B		C		D		Total Width	
		Interior Diameter (in) (mm)		Cone Width (in) (mm)		Outside Diameter (in) (mm)		Cup Width (in) (mm)		(in) (mm)	
339439X1	30212JR	2.362	60.00	0.866	22.00	4.331	110.00	0.748	19.00	0.935	23.75
391337X1	30213JR	2.559	65.00	0.906	23.00	4.724	120.00	0.787	20.00	0.974	24.75
1109964	30214JR	2.756	70.00	0.945	24.00	4.921	125.00	0.827	21.01	1.033	26.24
391336X1	30215JR	2.953	75.00	0.984	25.00	5.118	130.00	0.866	22.00	1.073	27.25
1126121	30216JR	3.150	80.00	1.024	26.00	5.512	140.00	0.866	22.00	1.112	28.25
1126122	30217	3.347	85.00	1.102	28.00	5.906	150.00	0.945	24.00	1.201	30.50
72255679	30217JR	3.347	85.00	1.201	30.50	5.906	150.00	0.945	24.00	1.201	30.50
3734309M1	30218JR	3.543	90.00	1.181	30.00	6.299	160.00	1.024	26.00	1.280	32.50
1109970	30219	3.740	95.00	1.260	32.00	6.693	170.00	1.063	27.00	1.358	34.50
3734310M1	30304JR	0.787	20.00	0.591	15.00	2.047	52.00	0.512	13.00	0.640	16.25
1109977	30305A	0.984	25.00	0.669	17.00	2.441	62.00	0.591	15.00	0.719	18.25
17390	30306JR	1.181	30.00	0.748	19.00	2.835	72.00	0.630	16.00	0.817	20.75
1109979	30307A	1.378	35.00	0.827	21.00	3.150	80.00	0.709	18.00	0.896	22.75
1440635X1	30308	1.575	40.00	0.906	23.00	3.543	90.00	0.787	20.00	0.994	25.25
1440640X1	30309A	1.772	45.00	0.984	25.00	3.937	100.00	0.866	22.00	1.073	27.25
1101386	30310A	1.969	50.00	1.063	27.00	4.331	110.00	0.906	23.00	1.152	29.25
1109985	30312A	2.362	60.00	1.221	31.00	5.118	130.00	0.866	22.00	1.319	33.50
1109989	31306A	1.181	30.00	0.748	19.00	2.835	72.00	0.630	16.00	0.817	20.75
1101137	31307A	1.378	35.00	0.827	21.00	3.150	80.00	0.709	18.00	0.896	22.75
70272712	31308	1.575	40.00	0.906	23.00	3.543	90.00	0.669	17.00	0.994	25.25
1109992	31309	1.772	45.00	0.984	25.00	3.937	100.00	0.709	18.00	1.073	27.25
1440826X1	31309J-N / 31309JR-N	1.772	45.00	0.984	25.00	3.937	100.00	0.709	18.00	1.073	27.25
1109995	31311A	2.165	55.00	1.142	29.00	4.724	120.00	0.984	25.00	1.240	31.50
603600A	31523RB / 31597	1.313	33.34	1.125	28.58	3.125	79.38	0.938	23.81	1.156	29.37
1136509	320/32X	1.260	32.00	0.669	17.00	2.283	58.00	0.512	13.00	0.669	17.00
4330916	32006JR	1.181	30.00	0.669	17.00	2.165	55.00	0.512	13.00	0.669	17.00
1136507	32006X	1.181	30.00	0.669	17.00	2.165	55.00	0.512	13.00	0.669	17.00
1136482	32007X/Q	1.378	35.00	0.709	18.00	2.441	62.00	0.551	14.00	0.709	18.00
4351472	32008X-VB022	1.575	40.00	0.748	19.00	2.677	68.00	0.571	14.50	0.748	19.00
1136214	32009	1.772	45.00	0.787	20.00	2.953	75.00	0.610	15.50	0.787	20.00
3009853X1	32010X	1.969	50.00	0.787	20.00	3.150	80.00	0.610	15.50	0.787	20.00
3734319M1	32010XV	1.969	50.00	0.787	20.00	3.150	80.00	0.610	15.50	0.787	20.00
1101597	32011 X/Q	2.165	55.00	0.906	23.00	3.543	90.00	0.689	17.50	0.906	23.00
1132697	32012JR	2.362	60.00	0.906	23.00	3.740	95.00	0.689	17.50	0.906	23.00
391339X1	32013XU	2.559	65.00	0.906	23.00	3.937	100.00	0.689	17.50	0.906	23.00
3734320M1	32014JR	2.756	70.00	0.984	25.00	4.331	110.00	0.748	19.00	0.984	25.00
71355915	32014X	2.756	70.00	0.984	25.00	4.331	110.00	0.748	19.00	0.984	25.00
1101901	32015JR	2.953	75.00	0.984	25.00	4.528	115.00	0.748	19.00	0.984	25.00



# Tapered Roller Bearings

## Tapered Assembly

Listed In Ascending Order by Manufacturer Part No.

AGCO Part No.	Manufacturer Part No.	Cone				Cup				E	
		A		B		C		D		Total Width	
		Interior Diameter (in) (mm)		Cone Width (in) (mm)		Outside Diameter (in) (mm)		Cup Width (in) (mm)		(in) (mm)	
1137549	32016X	3.150	80.00	1.142	29.00	4.921	125.00	0.866	22.00	1.142	29.00
1125783	32017JR	3.347	85.00	1.142	29.00	5.118	130.00	0.866	22.00	1.142	29.00
3734308M1	32017JR	3.347	85.00	1.142	29.00	5.118	130.00	0.866	22.00	1.142	29.00
1103228	32018XA	3.543	90.00	1.260	32.00	5.512	140.00	0.945	24.00	1.260	32.00
1102043	32019XA	3.740	95.00	1.260	32.00	5.709	145.00	0.945	24.00	1.260	32.00
30-3318206	32020X	4.134	105.00	1.378	35.00	6.299	160.00	1.024	26.00	1.378	35.00
30-3318214	32021X	4.134	105.00	1.378	35.00	6.299	160.00	1.024	26.00	1.378	35.00
1101856	32022X	4.331	110.00	1.496	38.00	6.693	170.00	1.142	29.00	1.496	38.00
30-3479811	32205B-92KA1	0.984	25.00	0.709	18.00	2.047	52.00	0.591	15.00	0.758	19.25
700712353	32206J 2/Q	1.181	30.00	0.787	20.00	2.441	62.00	0.669	17.00	0.837	21.25
1110001V	32207JR	1.378	35.00	0.906	23.00	2.835	72.00	0.748	19.00	0.955	24.25
1110001	32207JR	1.378	35.00	0.906	23.00	2.835	72.00	0.748	19.00	0.955	24.25
1110002	32208A	1.575	40.00	0.906	23.00	3.150	80.00	0.748	19.00	0.974	24.75
1101909	32209 J2/Q	1.772	45.00	0.906	23.00	3.347	85.00	0.748	19.00	0.974	24.75
1110003	32210JR	1.969	50.00	0.906	23.00	3.543	90.00	0.748	19.00	0.974	24.75
1125929	32211JR	2.165	55.00	0.984	25.00	3.937	100.00	0.827	21.00	1.053	26.75
700726369	32212	2.362	60.00	1.102	28.00	4.331	110.00	0.945	24.00	1.171	29.75
3393189	32214JR	2.756	70.00	1.221	31.00	4.921	125.00	1.036	26.31	1.309	33.25
700726370	32215 92KA1	2.953	75.00	0.984	25.00	5.118	130.00	0.748	19.00	0.984	25.00
72255705	32306	1.181	30.00	1.063	27.00	2.835	72.00	0.906	23.00	1.132	28.75
390876X1	32307	1.378	35.00	1.221	31.00	3.150	80.00	0.984	25.00	1.289	32.75
1440636X1	32308	1.575	40.00	1.299	33.00	3.543	90.00	1.063	27.00	1.388	35.25
30-3415171	32308-B	1.575	40.00	1.299	33.00	3.543	90.00	1.063	27.00	1.388	35.25
70272800	32309 BJ2/B46	1.772	45.00	1.417	36.00	3.937	100.00	1.142	29.00	1.506	38.25
1101339	32310A	1.969	50.00	1.575	40.00	4.331	110.00	1.299	33.00	1.663	42.25
1139457	33108	1.575	40.00	0.906	23.00	3.543	90.00	0.669	17.00	0.994	25.25
1130692	33111JR	2.165	55.00	1.181	30.00	3.740	95.00	0.906	23.00	1.181	30.00
1137018	33207JR	1.378	35.00	1.102	28.00	2.835	72.00	0.866	22.00	1.102	28.00
3734343M1	33210	1.969	50.00	1.260	32.00	3.543	90.00	0.965	24.50	1.260	32.00
3405345M91	368A/363	2.000	50.80	0.875	22.23	3.543	90.00	0.787	20.00	0.787	20.00
3176330M1	37431A/37625	4.310	109.47	0.844	21.44	6.250	158.75	0.625	16.00	0.906	23.02
70223308	375,3780,3729D	2.000	50.80	2.708	68.78	3.673	93.29	2.067	52.49	2.317	58.84
882554M91	3780 / 3720	2.000	50.80	1.193	30.30	3.672	93.26	0.938	23.81	1.188	30.16
70244141	385A/384SW, HM807046/010	2.000	50.80	2.530	64.27	4.126	104.80	2.000	50.80	2.530	64.27
982101	387/382	2.250	57.15	0.864	21.95	3.875	98.43	0.702	17.83	0.827	21.00
70241492	3877A/3822RB	1.625	41.28	1.187	30.14	3.470	88.13	0.938	23.83	1.188	30.18
70246526	389A/384SW, HM807049/010	2.126	54.00	2.530	64.27	4.126	104.80	2.000	50.80	2.530	64.27
8050205	389S/382A	2.188	55.58	1.034	26.26	3.183	80.84	0.625	15.88	1.034	26.26



# Tapered Roller Bearings

## Tapered Assembly

Listed In Ascending Order by Manufacturer Part No.

AGCO Part No.	Manufacturer Part No.	Cone				Cup				E	
		A		B		C		D			
		Interior Diameter (in) (mm)		Cone Width (in) (mm)		Outside Diameter (in) (mm)		Cup Width (in) (mm)		Total Width (in) (mm)	
72163184	394A & 395A	2.625	66.68	0.866	22.00	4.331	110.00	0.741	18.82	0.866	22.00
8050197	3982/3920	2.500	63.50	1.183	30.05	4.438	112.71	0.938	23.81	1.196	30.37
155769A	44158/44363D	1.563	39.69	0.933	23.70	3.625	92.08	1.563	39.69	2.188	55.56
167322A	48320/48393	5.375	136.53	1.563	39.69	7.500	190.50	1.313	33.34	1.563	39.69
3405346M91	493/498	3.313	84.14	1.172	29.77	5.375	136.53	0.875	22.23	1.188	30.16
1883279M91	495A/493	3.000	76.20	1.172	29.77	5.375	136.53	0.875	22.23	1.188	30.16
1442550X1	4T-32305	0.984	25.00	0.945	24.00	2.441	62.00	0.787	20.00	0.994	25.25
1104517	4T-33206	1.181	30.00	0.984	25.00	2.441	62.00	0.768	19.51	0.984	25.00
3281549M1	4T-FL30206PX1	1.181	30.00	0.630	16.00	2.441	62.00	0.551	14.00	0.679	17.25
70239002	4T-H715341/H715311	2.625	66.68	1.813	46.04	5.375	136.53	1.438	36.51	1.813	46.04
71355352	522 / 529	2.000	50.80	1.420	36.07	4.000	101.60	1.063	27.00	1.375	34.93
1042597M1	529 / 522	2.000	50.80	1.420	36.07	4.000	101.60	1.063	27.00	1.375	34.93
70272746	56425/56650	4.250	107.95	1.438	36.51	6.500	165.10	1.063	27.00	1.438	36.51
167323A	56662/56425	4.250	107.95	1.438	36.51	6.625	168.28	1.063	27.00	1.438	36.51
3383709M1	594/593X	3.750	95.25	1.430	36.32	5.906	150.00	1.063	27.00	1.417	36.00
8050189	598 / 592XS	3.625	92.08	1.430	36.32	5.813	147.64	1.031	26.19	1.414	35.92
983687	65501/65237	2.375	60.33	1.750	44.45	5.000	127.00	1.375	34.93	1.750	44.45
72162537	6559C / 6535	3.250	82.55	2.169	55.10	6.375	161.93	1.688	42.86	2.125	53.98
8050213	66583 / 66520	2.195	55.75	1.250	31.75	4.813	122.24	0.938	23.81	1.313	33.34
1053218M91	990014 (1220 / 1280)	0.875	22.23	0.875	22.23	2.250	57.15	0.688	17.46	0.875	22.23
4353209	BT1B332986Q	1.890	48.00	0.250	6.35	2.835	72.00	0.669	17.00	0.906	23.00
72255684	BT1B639405	1.102	28.00	0.680	17.27	2.677	68.00	0.591	15.00	0.787	20.00
984151	HH506311/HH5063	1.969	50.00	1.750	44.45	4.500	114.30	1.420	36.07	1.750	44.45
984323	HM803111/HM803149	1.750	44.45	1.563	39.70	3.500	88.90	0.906	23.02	1.188	30.16
71356528	HM807010 / HM807040	1.750	44.45	1.438	36.51	4.125	104.78	1.125	28.58	1.438	36.51
3405341M91	HM807010/HM807046	2.000	50.80	1.438	36.51	4.125	104.78	1.125	28.58	1.438	36.51
1850090M92	HM903210/HM903249	1.750	44.45	1.125	28.58	3.750	95.25	0.875	22.23	1.219	30.96
1850090V92	HM903210/HM903249	1.750	44.45	1.125	28.58	3.750	95.25	0.875	22.23	1.219	30.96
30-3214613	HM903249 90013	1.750	44.45	1.125	28.58	3.750	95.25	0.875	22.23	2.954	75.00
72162531	JLM104910 / JLM104948	1.969	50.00	0.847	21.50	3.228	82.00	0.669	17.00	0.847	21.50
981074	JLM506810 JLM506849	2.165	55.00	0.906	23.00	3.543	90.00	0.728	18.50	0.906	23.00
981086	JLM710910/JLM710949C	2.559	65.00	0.906	23.00	4.134	105.00	0.728	18.50	0.945	24.00
981095	JLM813010/JLM813049	2.756	70.00	0.984	25.00	4.331	110.00	0.807	20.50	1.024	26.00
72162619	JM205149/JM205110	1.969	50.00	1.102	28.00	3.543	90.00	0.906	23.00	1.102	28.00
72162620	JM511910/JM511946	2.559	65.00	1.102	28.00	4.331	110.00	0.886	22.50	1.102	28.00
72162622	JM515610 / JM515649	3.150	80.00	1.339	34.00	5.118	130.00	1.122	28.50	1.378	35.00
1214887	JM714210/JM714249	2.953	75.00	1.161	29.50	4.724	120.00	0.984	25.00	1.221	31.00
981113	JM716649/JM716610	3.347	85.00	1.142	29.00	5.118	130.00	0.945	24.00	1.181	30.00



# Tapered Roller Bearings

## Tapered Assembly

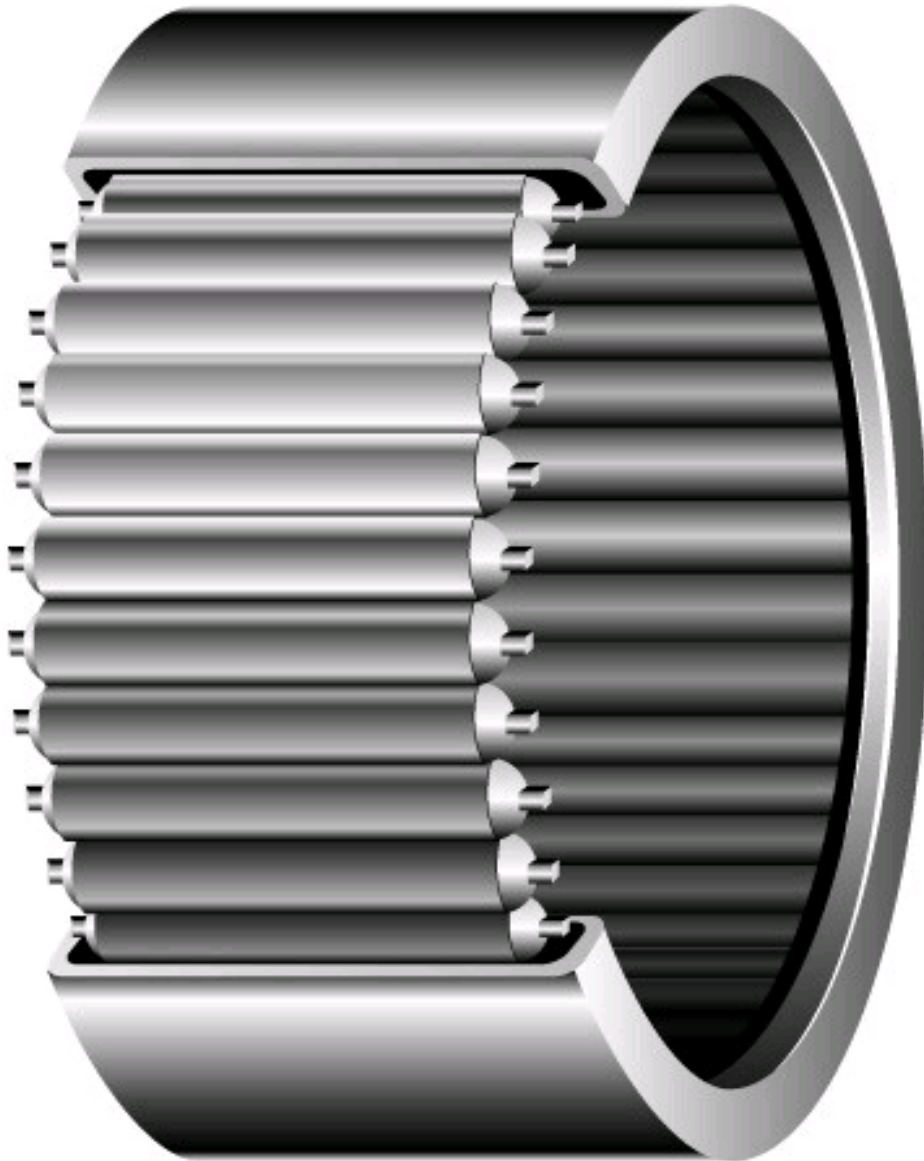
Listed In Ascending Order by Manufacturer Part No.

AGCO Part No.	Manufacturer Part No.	Cone				Cup				E	
		A		B		C		D		Total Width	
		Interior Diameter (in) (mm)		Cone Width (in) (mm)		Outside Diameter (in) (mm)		Cup Width (in) (mm)		(in) (mm)	
W981128	JM719149/JM719113	3.740	95.00	1.339	34.00	5.906	150.00	1.360	34.54	1.378	35.00
981131	JM720210/JM720249	3.937	100.00	1.575	40.00	6.300	160.01	1.260	32.00	1.614	41.00
72163082	L319210 / L319249	3.750	95.25	0.844	21.43	5.125	130.18	0.656	16.67	0.813	20.64
71326257	L44600LA-902A1	1.000	25.40	0.591	15.00	1.980	50.29	0.420	10.67	0.591	15.00
700710419	L44600LA-902A7	1.000	25.40	1.245	31.62	2.078	52.78	0.965	24.51	1.245	31.62
70926704	L44643 ASY90025	1.000	25.40	0.580	14.73	1.980	50.29	0.420	10.67	0.560	14.22
70926789	L44643 ASY90050	1.000	25.40	0.580	14.73	1.980	50.29	0.420	10.67	0.560	14.22
983941	LM104947A /LM104911	1.969	50.00	0.875	22.23	3.250	82.55	0.650	16.51	0.850	21.59
71179958	LM11900LA 902A1/LM11910	2.756	70.00	0.512	13.00	1.772	45.00	0.472	11.99	0.709	18.00
2513850W91	LM11949 ASSY 90013	0.750	19.05	0.655	16.64	1.780	45.21	0.475	12.07	0.610	15.49
74357289	LM29749ASY 90013	1.500	38.10	0.720	18.29	2.656	67.46	0.550	13.97	1.560	39.62
700706124	LM48548-90038	1.375	34.93	0.720	18.29	2.563	65.09	0.550	13.97	1.558	39.57
700712779	LM603049-90019	1.781	45.24	1.742	44.25	3.202	81.33	0.594	15.09	1.742	44.25
W9112030	LM67048	1.250	31.75	0.660	16.76	2.318	58.88	0.465	11.81	0.625	15.88
833633M91	LM67048-90041	1.250	31.75	0.625	15.88	2.329	59.16	0.594	15.09	1.413	35.89
4357806	LM7831OC/LM78349A	1.378	35.00	0.669	17.00	2.440	61.97	0.591	15.00	0.709	18.00
6215029	LR201RRU	0.433	11.00	1.378	35.00	0.591	15.00	0.394	10.00	1.378	35.00
72162623	M804010/M804049	1.875	47.63	1.000	25.40	3.500	88.90	0.750	19.05	1.000	25.40
1053223M91	M84210/M84249	1.000	25.40	0.910	23.11	2.344	59.53	0.720	18.29	0.920	23.37
1042596M1	M86610/M86649	1.188	30.16	0.844	21.43	2.531	64.29	0.656	16.67	0.844	21.43
1042596V1	M86610/M86649	1.188	30.16	0.844	21.43	2.531	64.29	0.656	16.67	0.844	21.43
3426850M2	T4CB100	3.937	100.00	0.945	24.00	5.709	145.00	0.689	17.50	0.945	24.00
3426850V2	T4CB100	3.937	100.00	0.945	24.00	5.709	145.00	0.689	17.50	0.945	24.00
3426851M2	T4CB120	4.724	120.00	1.063	27.00	6.693	170.00	0.768	19.50	1.000	25.40
3426851V2	T4CB120	4.724	120.00	1.063	27.00	6.693	170.00	0.768	19.50	1.000	25.40
AG715302	T4CB140	5.512	140.00	1.575	40.00	7.677	195.00	0.827	21.00	1.142	29.00





# Needle Roller Bearings

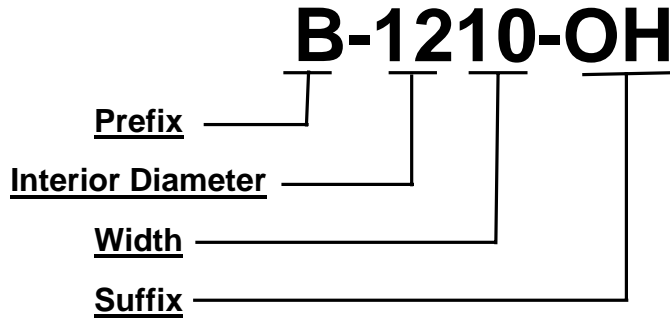




# Needle Roller Bearings

## Introduction

### How To Read A Manufacturer Needle Roller Bearing Part Number



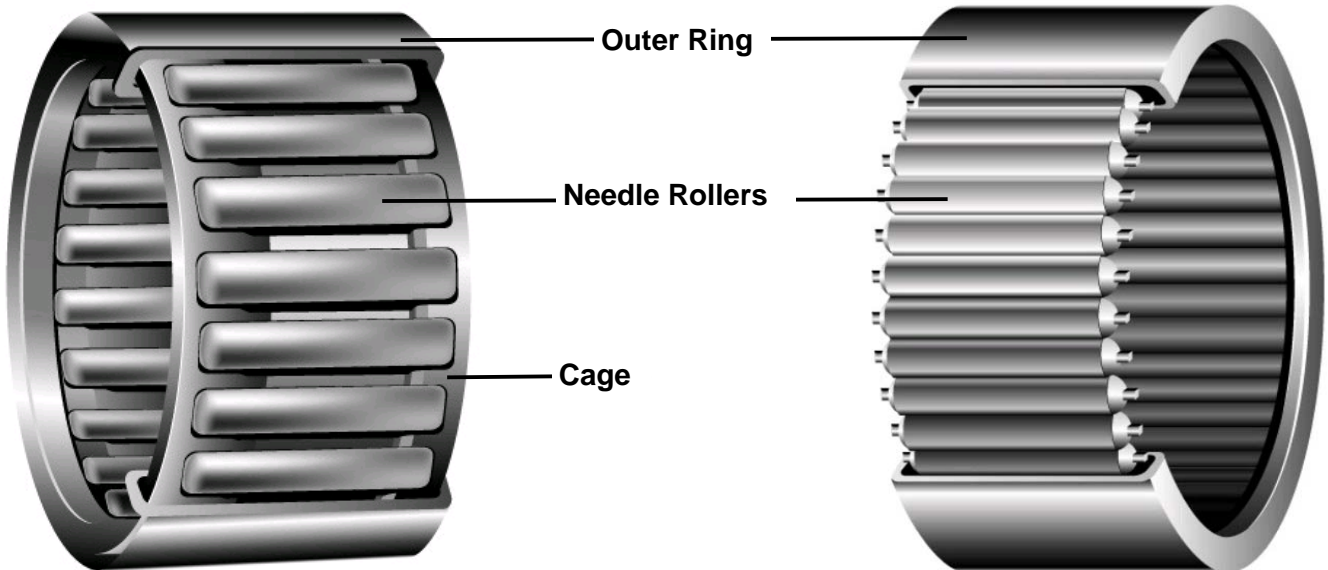
*(Example B-1210-OH: Mechanically retained rollers; 0.75 " I.D.; 0.625" Wide; Oil hole)*

### Needle Roller Bearing Number Explanation

<u>Prefix</u>	<u>Interior Diameter</u>	<u>Width</u>	<u>Suffix</u>
<u>Timken</u> B.....Mechanically retained rollers G.....Extra-precision H.....Heavy series J.....Caged retained rollers M.....Closed end T : TT...One seal : Two seals	Defined in sixteenths: 12 = $\frac{12}{16} = 0.75"$ 16 = $\frac{16}{16} = 1"$	Defined in sixteenths: 10 = $\frac{10}{16} = 0.625"$ 18 = $\frac{18}{16} = 1-1/8"$	<u>Timken</u> F.....Plastic cage GF.....Grease fitting, closed end OH.....Oil hole OHE...Oil hole in closed end RS : 2RS....One seal : Two seals AS1: JS1.....Lubricating hole

**Caged Retained Rollers**

**Mechanically Retained Rollers**





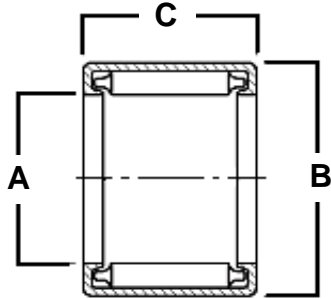


# Needle Roller Bearings

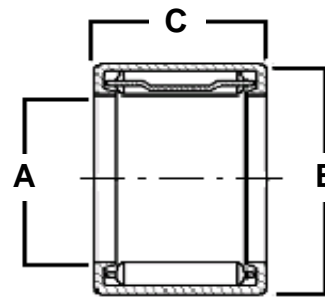
## Introduction

### Identifying the Differences Between Needle Roller Bearings

**Mechanically Retained Rollers**



**Caged Retained Rollers**

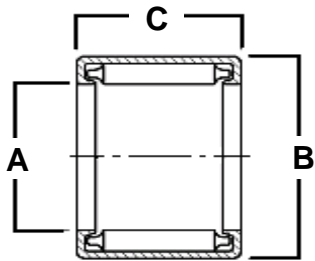


Mechanically Retained and Caged Retained are the two basic versions of a needle roller bearing. The outer shell on both versions serves as a raceway for the rollers. The standard Caged version uses a cage to guide the rollers. The Mechanically retained version uses the drawn outer shell to hold and guide the rollers.

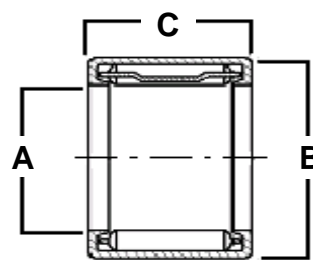
More rollers can be used in a Mechanically retained bearing, allowing for a higher load capacity. Caged retained rollers are able to provide higher speeds and better lubrication.

Needle bearings are commonly found in transmissions, transfer cases, engines and valve trains. With a small cross-sectional area and a high load capacity, a needle roller bearing may be used in compact areas.

### Understanding the Bearing Page Layout



**Mechanically Retained Rollers**



**Caged Retained Rollers**

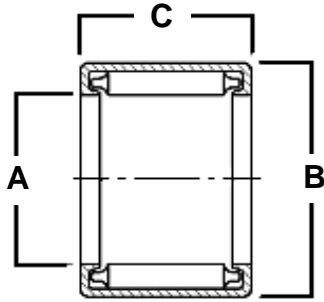
Needle Roller Bearings							
AGCO Part No.	Manufacturer Part No.	A		B		C	
		Interior Diameter (in) (mm)		Outside Diameter (in) (mm)		Width (in) (mm)	
195196M1	B-1210-OH	0.750	19.00	1.000	25.40	0.625	15.88

The Illustrations at the beginning of each needle roller bearing section help identify a bearing in the absence of the Manufacturer's Part Number. Column headings include: (A) Interior Diameter, (B) Outside Diameter and (C) Width.

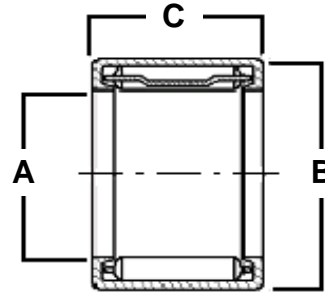


# Needle Roller Bearings

Listed In Ascending Order by Interior Diameter



**Mechanically Retained Rollers**



**Caged Retained Rollers**

AGCO offers a wide range of bearings from a number of manufacturers. These Manufacturer Part Numbers are listed for reference only. The part number will not guarantee a specific manufacturer.

Needle Roller Bearings							
AGCO Part No.	Manufacturer Part No.	A Interior Diameter		B Outside Diameter		C Width	
		(in)	(mm)	(in)	(mm)	(in)	(mm)
156676A	T94-12	0.313	7.94	0.500	12.70	0.313	7.94
70937194	SCE78	0.500	12.70	0.620	15.75	0.500	12.70
832487M1	B-86	0.500	12.70	0.688	17.48	0.375	9.53
831535M1	B-88	0.500	12.70	0.688	17.48	0.500	12.70
1000251V1	B-108	0.625	15.88	0.812	20.62	0.500	12.70
1000251M1	B-108	0.625	15.88	0.812	20.62	0.500	12.70
195139M1	MH-10121	0.625	15.88	0.876	22.24	0.750	19.00
195139V1	MH-10121	0.625	15.88	0.876	22.24	0.750	19.00
1077406M1	JH-1110	0.688	17.46	0.938	23.83	0.625	15.88
195197M1	B-1210	0.750	19.00	1.000	25.40	0.625	15.88
195196M1	B-1210-OH	0.750	19.00	1.000	25.40	0.625	15.88
195513M1	B-1212	0.750	19.00	1.000	25.40	0.750	19.00
832339M1	B-1212-OH	0.750	19.00	1.000	25.40	0.750	19.00
834053M1	B-126	0.750	19.00	1.000	25.40	0.375	9.53
831529M1	B-128	0.750	19.00	1.000	25.40	0.500	12.70
8050544	IR-1224	0.750	19.00	1.000	25.40	1.515	38.48
833477M1	UN93348	0.750	19.00	1.125	28.58	3.000	76.20
71166366	HP93316 R1	0.750	19.00	1.188	30.16	1.000	25.40
350403X1	UN120426	0.750	19.00	1.250	31.75	1.625	41.28
350406X1	UN120440	0.750	19.00	1.250	31.75	2.500	63.50
71374803	YCRSC-40	0.750	19.05	2.500	63.50	1.563	39.69
3607951M1	170920301100	0.810	20.57	0.920	23.37	0.500	12.70
74253262	B-1416-OH	0.875	22.23	1.125	28.58	1.000	25.40
156568A	B-146	0.875	22.23	1.125	28.58	0.375	9.53
835134M1	B-148	0.875	22.23	1.125	28.58	0.500	12.70
843282M1	JT-1417	0.875	22.23	1.125	28.58	1.060	26.92
15196	JTT1414	0.875	22.23	1.125	28.58	0.875	22.23
72162233	M-14161	0.875	22.23	1.125	28.58	1.000	25.40
71139943	HP93416NA	0.875	22.23	1.313	33.34	1.000	25.40



# Needle Roller Bearings

Listed In Ascending Order by Interior Diameter

Needle Roller Bearings (cont.)							
AGCO Part No.	Manufacturer Part No.	A		B		C	
		Interior Diameter (in)	(mm)	Outside Diameter (in)	(mm)	Width (in)	(mm)
833476M1	94440NA	0.875	22.23	1.375	34.93	2.500	63.50
833573M1	A140524	0.875	22.23	1.500	38.10	1.500	38.10
1021790M1	HJ-142212	0.876	22.25	1.375	34.93	0.750	19.00
3020679M1	HK2516	0.984	25.00	1.260	32.00	0.630	16.00
3282159M1	NAG#4906	0.984	25.00	1.850	47.00	0.669	17.00
700722149	10259-210372552	0.990	25.15	2.050	52.07	1.450	36.83
3814488M2	K25x31x21H	1.000	25.40	1.210	30.73	0.820	20.83
7035777	74600-150	1.000	25.40	1.250	31.75	1.000	25.40
8050536	B-1616-OH	1.000	25.40	1.250	31.75	1.000	25.40
833846M1	B-168	1.000	25.40	1.250	31.75	0.500	12.70
844165M1	DD34351	1.000	25.40	1.250	31.75	1.000	25.40
552-500	SCE1616PP	1.000	25.40	1.250	31.75	1.000	25.40
71309975	JHTT-1618-OH	1.000	25.40	1.312	33.32	1.100	27.94
832595M1	SCH1616 AS1	1.000	25.40	1.313	33.34	1.000	25.40
834475M1	SCH1614 P	1.000	25.40	1.313	33.35	0.875	22.23
WSL2518	93524NAH	1.000	25.40	1.375	34.93	1.438	36.53
71114824	93524NA	1.000	25.40	1.375	34.93	1.500	38.10
K4650V	94524	1.000	25.40	1.500	38.10	1.500	38.10
70223710	160416	1.000	25.40	1.500	38.10	1.000	25.40
K4650V	94524	1.000	25.40	1.500	38.10	1.437	36.51
70223710	J32-1632	1.000	25.40	1.500	38.10	1.000	25.40
70211537	J32-1640	1.000	25.40	1.500	38.10	1.188	30.16
K4650	94524	1.000	25.40	1.562	39.67	1.500	38.10
195191M1	HP94516	1.000	25.40	1.563	39.69	1.000	25.40
832957M91	RJT31164	1.000	25.40	2.050	52.07	1.000	25.40
833717M1	B-3416	1.000	25.40	2.125	54.00	2.500	63.50
KS5042	GB-1616	1.020	25.91	1.250	31.75	1.000	25.40
1173591	TAF253316	1.020	25.91	1.300	33.00	0.625	15.88
832804M1	B-1710	1.063	27.00	1.313	33.34	0.625	15.88
70250333	J7134	1.125	28.58	0.625	15.88	1.000	25.40
834068M1	J-1812	1.125	28.58	1.375	34.92	0.748	19.00
831244M1	B-1816	1.125	28.58	1.375	34.93	1.000	25.40
831411M1	B-188	1.125	28.58	1.375	34.93	0.500	12.70
843277M1	BHAM1816	1.125	28.58	1.500	38.10	1.000	25.40
74835826	JH2212	1.125	28.58	1.750	44.45	0.748	19.00
15196V	JTT1414	1.125	28.58	1.750	44.45	0.748	19.00
W15A13979	P94632	1.125	28.58	1.750	44.45	2.000	50.80
832719M1	94628NA	1.125	28.58	1.625	41.28	1.687	42.86
3613200M1	BHTM3030-OH	1.181	30.00	1.575	40.00	1.181	30.00
W20H481	94632NA	1.201	30.50	1.591	40.40	2.953	75.00



# Needle Roller Bearings

Listed In Ascending Order by Interior Diameter

Needle Roller Bearings (cont.)							
AGCO Part No.	Manufacturer Part No.	A		B		C	
		Interior Diameter (in)	Interior Diameter (mm)	Outside Diameter (in)	Outside Diameter (mm)	Width (in)	Width (mm)
1610217M1	HK303712	1.250	31.75	1.450	36.83	0.470	11.94
KS5045	7712235	1.250	31.75	1.500	38.10	1.000	25.40
833083M1	B-2012-OH	1.250	31.75	1.500	38.10	0.750	19.00
831224M1	B-2016	1.250	31.75	1.500	38.10	1.000	25.40
700705429	B-2020-OH	1.250	31.75	1.500	38.10	1.250	31.75
831231M1	BAM-2012	1.250	31.75	1.500	38.10	0.750	19.00
831231V1	BAM-2012	1.250	31.75	1.500	38.10	0.750	19.00
1574600W1	JT-2013	1.250	31.75	1.500	38.10	0.812	20.62
832261M1	M-20201	1.250	31.75	1.500	38.10	1.250	31.75
W9110190	93728	1.250	31.75	1.625	41.28	1.750	44.45
70246398	C202616	1.250	31.75	1.625	41.28	1.000	25.40
833246M1	JH-2016-D	1.250	31.75	1.625	41.28	1.000	25.40
832776M1	MH-20161-D	1.250	31.75	1.625	41.28	1.000	25.40
15485	MH-20201	1.250	31.75	1.625	41.28	1.250	31.75
70507451	94732	1.250	31.75	1.750	44.45	2.000	50.80
1023219M3	90091649	1.250	31.75	1.875	47.63	4.000	101.60
105434A	MR-20	1.251	31.78	1.750	44.45	1.250	31.75
70255693	B-228	1.375	34.93	1.625	41.28	0.500	12.70
195453M1	SCE228	1.375	34.93	1.626	41.29	0.500	12.70
195453V1	SCE228	1.375	34.93	1.626	41.29	0.500	12.70
843276M1	SCH2216	1.375	34.93	1.750	44.45	1.000	25.40
WZ6207	94828-NAH	1.375	34.93	1.875	47.63	1.750	44.45
713727	HJ-223020	1.375	34.93	1.875	47.63	1.250	31.75
101692A	HJ-223016	1.376	34.95	1.875	47.63	1.000	25.40
KS5041	GB-2212	1.400	35.56	1.625	41.28	0.750	19.00
KS5016	BH-2216	1.400	35.56	1.750	44.45	1.000	25.40
31-1572030	JHT-2213	1.400	35.56	1.750	44.45	0.800	20.32
3815653M1	3815653M1	1.410	35.81	1.550	39.37	0.650	16.51
3815690M1	3815690M1	1.450	36.83	1.750	44.45	0.770	19.56
157488A	C222820	1.500	38.10	1.740	44.20	1.240	31.50
72161722	B-2416-OH	1.500	38.10	1.875	47.63	1.000	25.40
831415M1	B-2420	1.500	38.10	1.875	47.63	1.250	31.75
833260M1	BA2416ZOH	1.500	38.10	1.875	47.63	1.000	25.40
700719447	HJ-243320-RS	1.500	38.10	2.063	52.39	1.250	31.75
70932891	B-248	1.520	38.61	1.880	47.75	0.500	12.70
30-3126110	SCE2412	1.570	39.88	1.880	47.75	0.750	19.00
167751A	B-2610	1.625	41.28	2.000	50.80	0.625	15.88
843032M1	J-2616	1.625	41.28	2.000	50.80	1.000	25.40
1117366	RNU207 ECP	1.732	44.00	2.835	72.00	0.669	17.00
833275M1	B-2816-OH	1.750	44.45	2.125	54.00	1.000	25.40



# Needle Roller Bearings

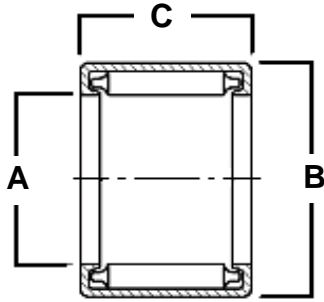
Listed In Ascending Order by Interior Diameter

Needle Roller Bearings (cont.)							
AGCO Part No.	Manufacturer Part No.	A		B		C	
		Interior Diameter		Outside Diameter		Width	
		(in)	(mm)	(in)	(mm)	(in)	(mm)
842134M1	SCE2816	1.750	44.45	2.125	54.00	1.000	25.40
3304944M1	3304944M1	1.830	46.48	2.080	52.83	0.770	19.56
833462M1	NB-69	1.875	47.63	2.125	54.00	0.500	12.70
842041M1	B-3012	1.875	47.63	2.250	57.15	0.750	19.00
71189834	J-3016	1.875	47.63	2.250	57.15	1.000	25.40
72161792	K50X55X20H	1.968	50.00	2.165	55.00	0.787	20.00
831220M1	B-3216	2.000	50.80	2.375	60.33	1.000	25.40
1611064M1	B-328	2.000	50.80	2.375	60.33	0.500	12.70
7458-6	B-3424-DOH	2.125	54.00	2.500	63.50	1.500	38.10
1612725M1	B-348	2.125	54.00	2.500	63.50	0.500	12.70
3613762M1	K55X63X25A	2.165	55.00	2.480	63.00	0.984	25.00
1177126	G0117M7126C	2.200	55.88	2.330	59.18	1.170	29.72
1177127	G0117M7127C	2.220	56.39	2.350	59.69	1.560	39.62
30-3088847	J-3616	2.250	57.15	2.625	66.68	1.000	25.40
833193M1	B-3620	2.250	57.15	2.626	66.69	1.250	31.75
104565A	GR 36 N	2.250	57.15	3.000	76.20	1.500	38.10
3647577M1	3647577M1	2.400	61.00	2.550	64.77	1.160	29.46
31-1593350	M-42161	2.625	66.68	3.000	76.20	1.000	25.40
4309044	G0430M9044C	2.740	69.60	2.900	73.66	0.760	19.30
834014M1	BA4412Z	2.750	69.85	3.125	79.38	0.750	19.00
831246M2	BA 4420 Z	2.750	69.85	3.126	79.39	1.250	31.75
831296M1	BA4416	2.750	69.85	3.126	79.39	1.000	25.40
70937217	SCE4412	2.790	70.87	3.130	79.50	0.740	18.80

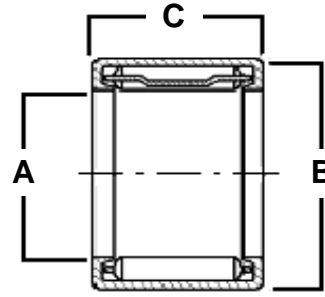


# Needle Roller Bearings

Listed In Ascending Order by Manufacturer Part No.



**Mechanically Retained Rollers**



**Caged Retained Rollers**

AGCO offers a wide range of bearings from a number of manufacturers. These Manufacturer Part Numbers are listed for reference only. The part number will not guarantee a specific manufacturer.

Needle Roller Bearings							
AGCO Part No.	Manufacturer Part No.	A Interior Diameter		B Outside Diameter		C Width	
		(in)	(mm)	(in)	(mm)	(in)	(mm)
700722149	10259-210372552	0.990	25.15	2.050	52.07	1.450	36.83
70223710	160416	1.000	25.40	1.500	38.10	1.000	25.40
3607951M1	170920301100	0.810	20.57	0.920	23.37	0.500	12.70
3304944M1	3304944M1	1.830	46.48	2.080	52.83	0.770	19.56
3647577M1	3647577M1	2.400	61.00	2.550	64.77	1.160	29.46
3815653M1	3815653M1	1.410	35.81	1.550	39.37	0.650	16.51
3815690M1	3815690M1	1.450	36.83	1.750	44.45	0.770	19.56
7035777	74600-150	1.000	25.40	1.250	31.75	1.000	25.40
KS5045	7712235	1.250	31.75	1.500	38.10	1.000	25.40
1023219M3	90091649	1.250	31.75	1.875	47.63	4.000	101.60
71114824	93524NA	1.000	25.40	1.375	34.93	1.500	38.10
WSL2518	93524NAH	1.000	25.40	1.375	34.93	1.438	36.53
W9110190	93728	1.250	31.75	1.625	41.28	1.750	44.45
833476M1	94440NA	0.875	22.23	1.375	34.93	2.500	63.50
K4650V	94524	1.000	25.40	1.500	38.10	1.500	38.10
K4650	94524	1.000	25.40	1.562	39.67	1.500	38.10
K4650V	94524	1.000	25.40	1.500	38.10	1.437	36.51
832719M1	94628NA	1.125	28.58	1.625	41.28	1.687	42.86
W20H481	94632NA	1.201	30.50	1.591	40.40	2.953	75.00
70507451	94732	1.250	31.75	1.750	44.45	2.000	50.80
WZ6207	94828-NAH	1.375	34.93	1.875	47.63	1.750	44.45
833573M1	A140524	0.875	22.23	1.500	38.10	1.500	38.10
1000251V1	B-108	0.625	15.88	0.812	20.62	0.500	12.70
1000251M1	B-108	0.625	15.88	0.812	20.62	0.500	12.70
195197M1	B-1210	0.750	19.00	1.000	25.40	0.625	15.88
195196M1	B-1210-OH	0.750	19.00	1.000	25.40	0.625	15.88
195513M1	B-1212	0.750	19.00	1.000	25.40	0.750	19.00
832339M1	B-1212-OH	0.750	19.00	1.000	25.40	0.750	19.00
834053M1	B-126	0.750	19.00	1.000	25.40	0.375	9.53



# Needle Roller Bearings

Listed In Ascending Order by Manufacturer Part No.

Needle Roller Bearings (cont.)							
AGCO Part No.	Manufacturer Part No.	A		B		C	
		Interior Diameter (in)	Interior Diameter (mm)	Outside Diameter (in)	Outside Diameter (mm)	Width (in)	Width (mm)
831529M1	B-128	0.750	19.00	1.000	25.40	0.500	12.70
74253262	B-1416-OH	0.875	22.23	1.125	28.58	1.000	25.40
156568A	B-146	0.875	22.23	1.125	28.58	0.375	9.53
835134M1	B-148	0.875	22.23	1.125	28.58	0.500	12.70
8050536	B-1616-OH	1.000	25.40	1.250	31.75	1.000	25.40
833846M1	B-168	1.000	25.40	1.250	31.75	0.500	12.70
832804M1	B-1710	1.063	27.00	1.313	33.34	0.625	15.88
831244M1	B-1816	1.125	28.58	1.375	34.93	1.000	25.40
831411M1	B-188	1.125	28.58	1.375	34.93	0.500	12.70
833083M1	B-2012-OH	1.250	31.75	1.500	38.10	0.750	19.00
831224M1	B-2016	1.250	31.75	1.500	38.10	1.000	25.40
700705429	B-2020-OH	1.250	31.75	1.500	38.10	1.250	31.75
70255693	B-228	1.375	34.93	1.625	41.28	0.500	12.70
72161722	B-2416-OH	1.500	38.10	1.875	47.63	1.000	25.40
831415M1	B-2420	1.500	38.10	1.875	47.63	1.250	31.75
70932891	B-248	1.520	38.61	1.880	47.75	0.500	12.70
167751A	B-2610	1.625	41.28	2.000	50.80	0.625	15.88
833275M1	B-2816-OH	1.750	44.45	2.125	54.00	1.000	25.40
842041M1	B-3012	1.875	47.63	2.250	57.15	0.750	19.00
831220M1	B-3216	2.000	50.80	2.375	60.33	1.000	25.40
1611064M1	B-328	2.000	50.80	2.375	60.33	0.500	12.70
833717M1	B-3416	1.000	25.40	2.125	54.00	2.500	63.50
7458-6	B-3424-DOH	2.125	54.00	2.500	63.50	1.500	38.10
1612725M1	B-348	2.125	54.00	2.500	63.50	0.500	12.70
833193M1	B-3620	2.250	57.15	2.626	66.69	1.250	31.75
832487M1	B-86	0.500	12.70	0.688	17.48	0.375	9.53
831535M1	B-88	0.500	12.70	0.688	17.48	0.500	12.70
831246M2	BA 4420 Z	2.750	69.85	3.126	79.39	1.250	31.75
833260M1	BA2416ZOH	1.500	38.10	1.875	47.63	1.000	25.40
834014M1	BA4412Z	2.750	69.85	3.125	79.38	0.750	19.00
831296M1	BA4416	2.750	69.85	3.126	79.39	1.000	25.40
831231M1	BAM-2012	1.250	31.75	1.500	38.10	0.750	19.00
831231V1	BAM-2012	1.250	31.75	1.500	38.10	0.750	19.00
KS5016	BH-2216	1.400	35.56	1.750	44.45	1.000	25.40
843277M1	BHAM1816	1.125	28.58	1.500	38.10	1.000	25.40
3613200M1	BHTM3030-OH	1.181	30.00	1.575	40.00	1.181	30.00
70246398	C202616	1.250	31.75	1.625	41.28	1.000	25.40
157488A	C222820	1.500	38.10	1.740	44.20	1.240	31.50
844165M1	DD34351	1.000	25.40	1.250	31.75	1.000	25.40
1177126	G0117M7126C	2.200	55.88	2.330	59.18	1.170	29.72



# Needle Roller Bearings

Listed In Ascending Order by Manufacturer Part No.

Needle Roller Bearings (cont.)							
AGCO Part No.	Manufacturer Part No.	A		B		C	
		Interior Diameter (in)	(mm)	Outside Diameter (in)	(mm)	Width (in)	(mm)
1177127	G0117M7127C	2.220	56.39	2.350	59.69	1.560	39.62
4309044	G0430M9044C	2.740	69.60	2.900	73.66	0.760	19.30
KS5042	GB-1616	1.020	25.91	1.250	31.75	1.000	25.40
KS5041	GB-2212	1.400	35.56	1.625	41.28	0.750	19.00
104565A	GR 36 N	2.250	57.15	3.000	76.20	1.500	38.10
1021790M1	HJ-142212	0.876	22.25	1.375	34.93	0.750	19.00
101692A	HJ-223016	1.376	34.95	1.875	47.63	1.000	25.40
713727	HJ-223020	1.375	34.93	1.875	47.63	1.250	31.75
700719447	HJ-243320-RS	1.500	38.10	2.063	52.39	1.250	31.75
3020679M1	HK2516	0.984	25.00	1.260	32.00	0.630	16.00
1610217M1	HK303712	1.250	31.75	1.450	36.83	0.470	11.94
71166366	HP93316 R1	0.750	19.00	1.188	30.16	1.000	25.40
71139943	HP93416NA	0.875	22.23	1.313	33.34	1.000	25.40
195191M1	HP94516	1.000	25.40	1.563	39.69	1.000	25.40
8050544	IR-1224	0.750	19.00	1.000	25.40	1.515	38.48
834068M1	J-1812	1.125	28.58	1.375	34.92	0.748	19.00
843032M1	J-2616	1.625	41.28	2.000	50.80	1.000	25.40
71189834	J-3016	1.875	47.63	2.250	57.15	1.000	25.40
70223710	J32-1632	1.000	25.40	1.500	38.10	1.000	25.40
70211537	J32-1640	1.000	25.40	1.500	38.10	1.188	30.16
30-3088847	J-3616	2.250	57.15	2.625	66.68	1.000	25.40
70250333	J7134	1.125	28.58	0.625	15.88	1.000	25.40
1077406M1	JH-1110	0.688	17.46	0.938	23.83	0.625	15.88
833246M1	JH-2016-D	1.250	31.75	1.625	41.28	1.000	25.40
74835826	JH2212	1.125	28.58	1.750	44.45	0.748	19.00
31-1572030	JHT-2213	1.400	35.56	1.750	44.45	0.800	20.32
71309975	JHTT-1618-OH	1.000	25.40	1.312	33.32	1.100	27.94
843282M1	JT-1417	0.875	22.23	1.125	28.58	1.060	26.92
1574600W1	JT-2013	1.250	31.75	1.500	38.10	0.812	20.62
15196	JTT1414	0.875	22.23	1.125	28.58	0.875	22.23
15196V	JTT1414	1.125	28.58	1.750	44.45	0.748	19.00
3814488M2	K25x31x21H	1.000	25.40	1.210	30.73	0.820	20.83
72161792	K50X55X20H	1.968	50.00	2.165	55.00	0.787	20.00
3613762M1	K55X63X25A	2.165	55.00	2.480	63.00	0.984	25.00
72162233	M-14161	0.875	22.23	1.125	28.58	1.000	25.40
832261M1	M-20201	1.250	31.75	1.500	38.10	1.250	31.75
31-1593350	M-42161	2.625	66.68	3.000	76.20	1.000	25.40
195139M1	MH-10121	0.625	15.88	0.876	22.24	0.750	19.00
195139V1	MH-10121	0.625	15.88	0.876	22.24	0.750	19.00
832776M1	MH-20161-D	1.250	31.75	1.625	41.28	1.000	25.40





# Needle Roller Bearings

Listed In Ascending Order by Manufacturer Part No.

Needle Roller Bearings (cont.)							
AGCO Part No.	Manufacturer Part No.	A		B		C	
		Interior Diameter		Outside Diameter		Width	
		(in)	(mm)	(in)	(mm)	(in)	(mm)
15485	MH-20201	1.250	31.75	1.625	41.28	1.250	31.75
105434A	MR-20	1.251	31.78	1.750	44.45	1.250	31.75
3282159M1	NAG#4906	0.984	25.00	1.850	47.00	0.669	17.00
833462M1	NB-69	1.875	47.63	2.125	54.00	0.500	12.70
W15A13979	P94632	1.125	28.58	1.750	44.45	2.000	50.80
832957M91	RJT31164	1.000	25.40	2.050	52.07	1.000	25.40
1117366	RNU207 ECP	1.732	44.00	2.835	72.00	0.669	17.00
552-500	SCE1616PP	1.000	25.40	1.250	31.75	1.000	25.40
195453M1	SCE228	1.375	34.93	1.626	41.29	0.500	12.70
195453V1	SCE228	1.375	34.93	1.626	41.29	0.500	12.70
30-3126110	SCE2412	1.570	39.88	1.880	47.75	0.750	19.00
842134M1	SCE2816	1.750	44.45	2.125	54.00	1.000	25.40
70937217	SCE4412	2.790	70.87	3.130	79.50	0.740	18.80
70937194	SCE78	0.500	12.70	0.620	15.75	0.500	12.70
834475M1	SCH1614 P	1.000	25.40	1.313	33.35	0.875	22.23
832595M1	SCH1616 AS1	1.000	25.40	1.313	33.34	1.000	25.40
843276M1	SCH2216	1.375	34.93	1.750	44.45	1.000	25.40
156676A	T94-12	0.313	7.94	0.500	12.70	0.313	7.94
1173591	TAF253316	1.020	25.91	1.300	33.00	0.625	15.88
350403X1	UN120426	0.750	19.00	1.250	31.75	1.625	41.28
350406X1	UN120440	0.750	19.00	1.250	31.75	2.500	63.50
833477M1	UN93348	0.750	19.00	1.125	28.58	3.000	76.20
71374803	YCRSC-40	0.750	19.05	2.500	63.50	1.563	39.69





# Thrust Bearings

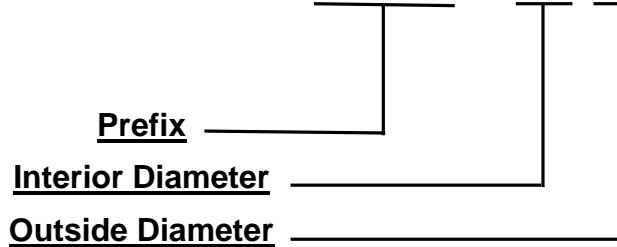




# Thrust Bearings Introduction

## How To Read A Manufacturer Thrust Bearing Part Number

# NTA-1423



(Example NTA-1423: Cage assembly; Needle roller; 0.875" I.D.; 1.438" O.D.)

## Thrust Bearing Number Explanation

<u>Prefix</u>
<b>Timken</b>
NT...Cage assembly
A...Needle roller
C...Needle roller
H...Cylindrical roller
TVB....Grooved race ball bearing
TVL.....Angular contact ball
TP.....Cylindrical roller bearing
TSR....Spherical roller bearing

<u>Interior Diameter</u>
Defined in sixteenths:
12 = $\frac{12}{16} = 0.75"$
16 = $\frac{16}{16} = 1"$

<u>Outside Diameter</u>
Defined in sixteenths:
10 = $\frac{10}{16} = 0.625"$
23 = $\frac{23}{16} = 1\frac{7}{16}"$

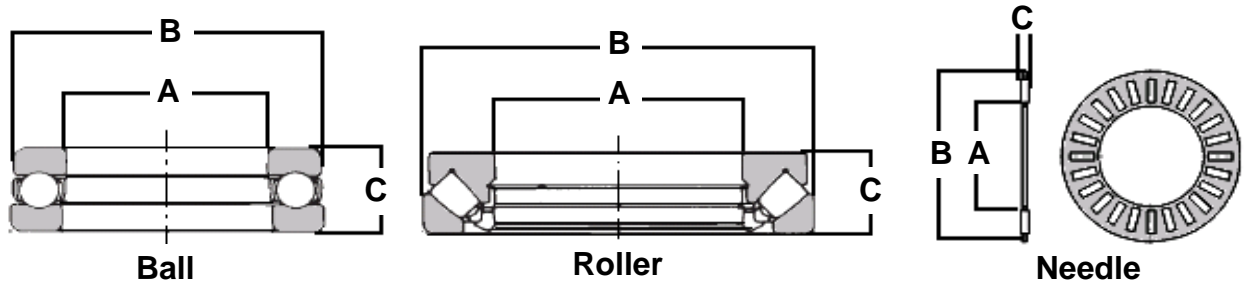




# Thrust Bearings

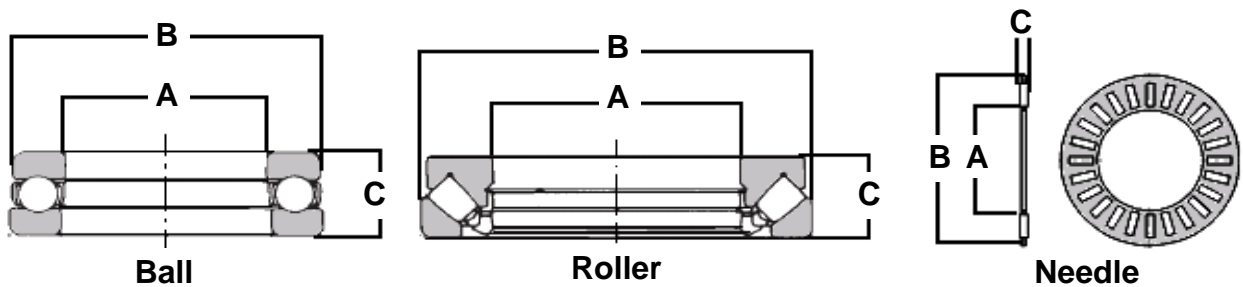
## Introduction

### Identifying the Advantages for Thrust Bearings



The above illustrations show three kinds of thrust bearings: Ball, Roller and Needle. Thrust bearings can only support applications with thrust (side-to-side) loads. Depending on the load capacity and application speed, the type of thrust bearing required will change. Needle and Roller Thrust bearings are able to support higher load capacities as compared to a Ball Thrust bearing.

### Understanding the Bearing Page Layout



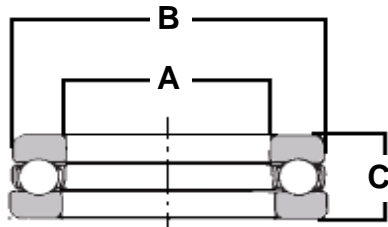
Thrust Bearings							
AGCO Part No.	Manufacturer Part No.	A		B		C	
		Interior Diameter (in)	Interior Diameter (mm)	Outside Diameter (in)	Outside Diameter (mm)	Width (in)	Width (mm)
831200M1	NTA-1423	0.882	22.40	1.427	36.25	0.078	2.00

The Illustrations at the beginning of each thrust bearing section help identify a bearing in the absence of the Manufacturer's Part Number. Column headings include: (A) Interior Diameter, (B) Outside Diameter and (C) Width.

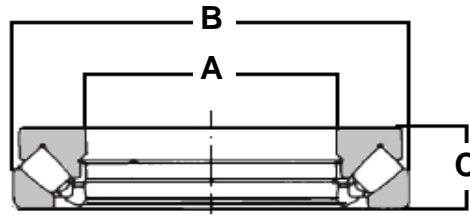


# Thrust Bearings

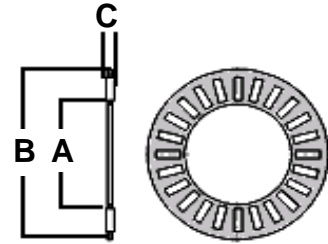
Listed in Ascending Order by Interior Diameter



Ball



Roller



Needle

AGCO offers a wide range of bearings from a number of manufacturers. These Manufacturer Part Numbers are listed for reference only. The part number will not guarantee a specific manufacturer.

Thrust Bearings							
AGCO Part No.	Manufacturer Part No.	A Interior Diameter		B Outside Diameter		C Width	
		(in)	(mm)	(in)	(mm)	(in)	(mm)
70208875	5948 NICE	0.446	11.33	1.094	27.78	1.031	26.19
11448	T63	0.638	16.21	1.635	41.53	0.510	12.95
195457M1	T-77W	0.760	19.30	1.630	41.40	0.500	12.70
831200M1	NTA-1423	0.882	22.40	1.427	36.25	0.078	2.00
832814M1	NTC-1427	0.882	22.40	1.677	42.60	0.078	2.00
LS5035	T88	0.890	22.61	1.890	48.00	0.590	15.00
831263M1	FA-17934	1.000	25.40	1.636	41.55	0.078	2.00
15699	E-9	1.000	25.40	1.954	49.63	0.630	16.00
22316X	T101	1.010	25.65	2.000	50.80	0.630	16.00
1109887	51105 (JB00)	1.030	26.16	1.640	41.66	0.430	10.92
1751676M1	A-2194	1.050	26.67	2.187	55.55	0.628	15.95
71192128	308GS1DS	1.180	30.00	2.440	62.00	1.060	26.92
71118123	T-27361	1.239	31.47	1.946	49.43	0.370	9.40
18560X	T126	1.260	32.00	2.190	55.63	0.630	16.00
71166945	NTA-2233	1.382	35.10	2.052	52.12	0.078	2.00
10A8662	T138	1.390	35.31	2.630	66.80	0.770	19.56
10A9498	T139	1.390	35.31	2.310	58.67	0.630	16.00
6656237	F7ZZ-7548-AA	1.436	36.48	2.750	69.85	1.360	34.54
7710262	B24-L	1.500	38.10	2.438	61.91	1.310	33.27
196167V1	CBK 287A	1.510	38.35	2.599	66.00	0.635	16.13
196167M1	CBK 287A	1.510	38.35	2.599	66.00	0.635	16.13
KS5040	T149	1.510	38.35	2.590	65.79	0.770	19.56
72100765	40TRK39-4SB	1.575	40.00	2.520	64.00	0.630	16.00
3599263M1	3599263M1	1.614	41.00	2.559	65.00	0.093	2.36
744620M91	41425608	1.626	41.30	2.251	57.18	0.862	21.89
185379M1	FA-22886-R	1.702	43.23	2.840	72.14	0.250	6.35
71131262	A0899-2	1.750	44.45	3.120	79.25	0.744	18.90
74253527	A0899-3	1.750	44.45	3.050	77.47	0.750	19.05
832961M1	T177 TTC	1.770	45.00	2.874	73.00	0.787	20.00
100565A	A-2469-3	1.962	49.83	3.280	83.31	0.810	20.57
1696721M1	1696721M1	1.969	50.00	2.953	75.00	0.094	2.39



# Thrust Bearings

Listed in Ascending Order by Interior Diameter

Thrust Bearings (cont.)							
AGCO Part No.	Manufacturer Part No.	A		B		C	
		Interior Diameter		Outside Diameter		Width	
		(in)	(mm)	(in)	(mm)	(in)	(mm)
KS5022	A2469	1.970	50.00	3.280	83.31	0.810	20.57
716281	A3535	2.000	50.80	3.671	93.24	0.811	20.60
3816850M1	3816850M1	2.010	51.05	2.740	69.60	0.068	1.73
71135013	T-199	2.010	51.05	2.940	74.68	0.630	16.00
31-1604330	51110	2.050	52.00	2.750	70.00	0.540	13.72
70235079V	RXX206513	2.060	52.32	3.500	88.90	0.830	21.08
71121058	206518N	2.064	52.41	3.546	90.07	0.811	20.60
831788M1	A2256_31	2.069	52.55	3.500	88.90	0.840	21.34
70235079	A2256-1	2.069	52.55	3.500	88.90	0.830	21.08
70204829	A0801	2.081	52.86	3.385	86.00	0.807	20.50
70204829V	A0801	2.081	52.86	3.385	86.00	0.807	20.50
30-3056295	206516N	2.140	54.36	3.500	88.90	0.811	20.60
72103232	55TMK804X	2.160	54.86	3.460	87.88	0.760	19.30
3702563M1	CT55B L1GUN	2.162	54.91	3.460	87.88	0.760	19.30
4383378	307418 BA	2.165	55.00	3.622	92.00	0.984	25.00
1261539	EX10529	2.190	55.63	3.610	91.69	0.980	24.89
72160065	225518N	2.250	57.15	3.750	95.25	0.810	20.57
72505831	2256A (LB00)	2.250	57.15	3.741	95.00	0.755	19.18
72160033	A3803	2.250	57.15	3.720	94.50	0.820	20.83
10A8381	NTA-3648	2.252	57.20	2.990	75.95	0.078	2.00
103751A	NTA-3650	2.252	57.20	3.115	79.12	0.125	3.18
30-3056287	A-2526-11	2.260	57.40	3.750	95.25	0.810	20.57
842370M1	A3544	2.260	57.40	3.796	96.42	0.811	20.60
33-0052221	60TMK20	2.360	59.94	3.790	96.27	0.865	21.97
W9112790	237514N	2.375	60.33	3.500	88.90	0.734	18.65
833081M1	A-2583-47	2.478	62.94	4.125	104.78	0.870	22.10
833084M1	A2287-1	2.500	63.50	4.125	104.78	0.870	22.10
833085M2	A-2336-147	2.500	63.50	4.020	102.11	1.526	38.76
256179M1	A-3552	2.500	63.50	4.100	104.14	0.875	22.23
892862M3	CT1310 ARSEDCS23	2.500	63.50	3.936	100.00	0.835	21.21
168208A	NTH-4066	2.502	63.55	4.095	104.00	0.375	9.53
71173723	NTA-4052	2.507	63.68	3.240	82.30	0.078	2.00
834602M1	A2287-31	2.510	63.75	4.062	103.17	0.885	22.48
256179V1	A-3552	2.510	63.75	4.100	104.14	0.875	22.23
833084V1	RXX250514	2.510	63.75	4.062	103.17	0.885	22.48
842033M1	T251	2.510	63.75	4.380	111.25	1.060	26.92
3700527M1	CTS64SA	2.550	64.77	3.937	100.00	0.925	23.50
AS5022B	275933N	2.750	69.85	4.620	117.35	0.860	21.84
833452M1	NTA-4458	2.760	70.10	3.615	91.82	0.125	3.18
30-3056309	A3560-25	2.770	70.36	4.760	120.90	0.860	21.84



# Thrust Bearings

Listed in Ascending Order by Interior Diameter

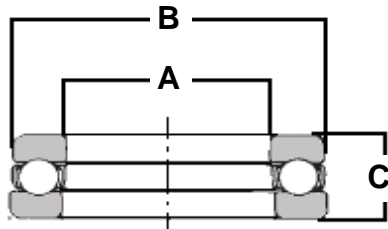
Thrust Bearings (cont.)							
AGCO Part No.	Manufacturer Part No.	A		B		C	
		Interior Diameter		Outside Diameter		Width	
		(in)	(mm)	(in)	(mm)	(in)	(mm)
1613884M1	TC4860	3.000	76.20	3.740	95.00	0.070	1.78
71159478	NTA-5266	3.252	82.60	4.115	104.52	0.125	3.18
71161396	NTA-6074	3.760	95.50	4.610	117.09	0.125	3.18
4383379	307438BA	4.180	106.17	5.500	139.70	0.990	25.15
72101269	6193-1803-00-1	5.758	146.25	6.670	169.42	0.580	14.73
72098970	3503-1803-00-0	5.890	149.61	6.670	169.42	0.560	14.22
72100528	6273-1803-00-1	6.540	166.12	7.440	189.00	0.580	14.73



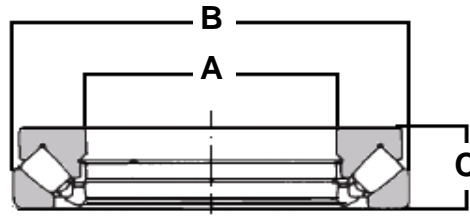


# Thrust Bearings

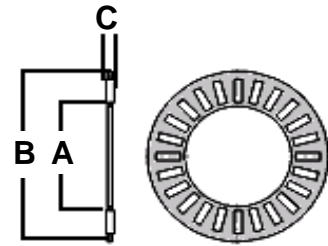
Listed in Ascending Order by Manufacturer Part No.



Ball



Roller



Needle

AGCO offers a wide range of bearings from a number of manufacturers. These Manufacturer Part Numbers are listed for reference only. The part number will not guarantee a specific manufacturer.

## Thrust Bearings

AGCO Part No.	Manufacturer Part No.	A		B		C	
		Interior Diameter		Outside Diameter		Width	
		(in)	(mm)	(in)	(mm)	(in)	(mm)
1696721M1	1696721M1	1.969	50.00	2.953	75.00	0.094	2.39
30-3056295	206516N	2.140	54.36	3.500	88.90	0.811	20.60
71121058	206518N	2.064	52.41	3.546	90.07	0.811	20.60
72160065	225518N	2.250	57.15	3.750	95.25	0.810	20.57
72505831	2256A (LB00)	2.250	57.15	3.741	95.00	0.755	19.18
W9112790	237514N	2.375	60.33	3.500	88.90	0.734	18.65
AS5022B	275933N	2.750	69.85	4.620	117.35	0.860	21.84
4383378	307418 BA	2.165	55.00	3.622	92.00	0.984	25.00
4383379	307438BA	4.180	106.17	5.500	139.70	0.990	25.15
71192128	308GS1DS	1.180	30.00	2.440	62.00	1.060	26.92
72098970	3503-1803-00-0	5.890	149.61	6.670	169.42	0.560	14.22
3599263M1	3599263M1	1.614	41.00	2.559	65.00	0.093	2.36
3816850M1	3816850M1	2.010	51.05	2.740	69.60	0.068	1.73
72100765	40TRK39-4SB	1.575	40.00	2.520	64.00	0.630	16.00
744620M91	41425608	1.626	41.30	2.251	57.18	0.862	21.89
1109887	51105 (JB00)	1.030	26.16	1.640	41.66	0.430	10.92
31-1604330	51110	2.050	52.00	2.750	70.00	0.540	13.72
72103232	55TMK804X	2.160	54.86	3.460	87.88	0.760	19.30
70208875	5948 NICE	0.446	11.33	1.094	27.78	1.031	26.19
33-0052221	60TMK20	2.360	59.94	3.790	96.27	0.865	21.97
72101269	6193-1803-00-1	5.758	146.25	6.670	169.42	0.580	14.73
72100528	6273-1803-00-1	6.540	166.12	7.440	189.00	0.580	14.73
70204829	A0801	2.081	52.86	3.385	86.00	0.807	20.50
70204829V	A0801	2.081	52.86	3.385	86.00	0.807	20.50
71131262	A0899-2	1.750	44.45	3.120	79.25	0.744	18.90
74253527	A0899-3	1.750	44.45	3.050	77.47	0.750	19.05
1751676M1	A-2194	1.050	26.67	2.187	55.55	0.628	15.95
831788M1	A2256 31	2.069	52.55	3.500	88.90	0.840	21.34
70235079	A2256-1	2.069	52.55	3.500	88.90	0.830	21.08
833084M1	A2287-1	2.500	63.50	4.125	104.78	0.870	22.10
834602M1	A2287-31	2.510	63.75	4.062	103.17	0.885	22.48



# Thrust Bearings

Listed in Ascending Order by Manufacturer Part No.

Thrust Bearings (cont.)							
AGCO Part No.	Manufacturer Part No.	A		B		C	
		Interior Diameter		Outside Diameter		Width	
		(in)	(mm)	(in)	(mm)	(in)	(mm)
833085M2	A-2336-147	2.500	63.50	4.020	102.11	1.526	38.76
KS5022	A2469	1.970	50.00	3.280	83.31	0.810	20.57
100565A	A-2469-3	1.962	49.83	3.280	83.31	0.810	20.57
30-3056287	A-2526-11	2.260	57.40	3.750	95.25	0.810	20.57
833081M1	A-2583-47	2.478	62.94	4.125	104.78	0.870	22.10
716281	A3535	2.000	50.80	3.671	93.24	0.811	20.60
842370M1	A3544	2.260	57.40	3.796	96.42	0.811	20.60
256179M1	A-3552	2.500	63.50	4.100	104.14	0.875	22.23
256179V1	A-3552	2.510	63.75	4.100	104.14	0.875	22.23
30-3056309	A3560-25	2.770	70.36	4.760	120.90	0.860	21.84
72160033	A3803	2.250	57.15	3.720	94.50	0.820	20.83
7710262	B24-L	1.500	38.10	2.438	61.91	1.310	33.27
196167V1	CBK 287A	1.510	38.35	2.599	66.00	0.635	16.13
196167M1	CBK 287A	1.510	38.35	2.599	66.00	0.635	16.13
892862M3	CT1310 ARSEDCS23	2.500	63.50	3.936	100.00	0.835	21.21
3702563M1	CT55B L1GUN	2.162	54.91	3.460	87.88	0.760	19.30
3700527M1	CTS64SA	2.550	64.77	3.937	100.00	0.925	23.50
15699	E-9	1.003	25.48	1.954	49.63	0.630	16.00
1261539	EX10529	2.190	55.63	3.610	91.69	0.980	24.89
6656237	F7ZZ-7548-AA	1.436	36.48	2.750	69.85	1.360	34.54
831263M1	FA-17934	1.000	25.40	1.636	41.55	0.078	2.00
185379M1	FA-22886-R	1.702	43.23	2.840	72.14	0.250	6.35
831200M1	NTA-1423	0.882	22.40	1.427	36.25	0.078	2.00
71166945	NTA-2233	1.382	35.10	2.052	52.12	0.078	2.00
10A8381	NTA-3648	2.252	57.20	2.990	75.95	0.078	2.00
103751A	NTA-3650	2.252	57.20	3.115	79.12	0.125	3.18
71173723	NTA-4052	2.507	63.68	3.240	82.30	0.078	2.00
833452M1	NTA-4458	2.760	70.10	3.615	91.82	0.125	3.18
71159478	NTA-5266	3.252	82.60	4.115	104.52	0.125	3.18
71161396	NTA-6074	3.760	95.50	4.610	117.09	0.125	3.18
832814M1	NTC-1427	0.882	22.40	1.677	42.60	0.078	2.00
168208A	NTH-4066	2.502	63.55	4.095	104.00	0.375	9.53
70235079V	RXX206513	2.060	52.32	3.500	88.90	0.830	21.08
833084V1	RXX250514	2.510	63.75	4.062	103.17	0.885	22.48
22316X	T101	1.010	25.65	2.000	50.80	0.630	16.00
18560X	T126	1.260	32.00	2.190	55.63	0.630	16.00
10A8662	T138	1.390	35.31	2.630	66.80	0.770	19.56
10A9498	T139	1.390	35.31	2.310	58.67	0.630	16.00
KS5040	T149	1.510	38.35	2.590	65.79	0.770	19.56
832961M1	T177 TTC	1.770	45.00	2.874	73.00	0.787	20.00



# Thrust Bearings

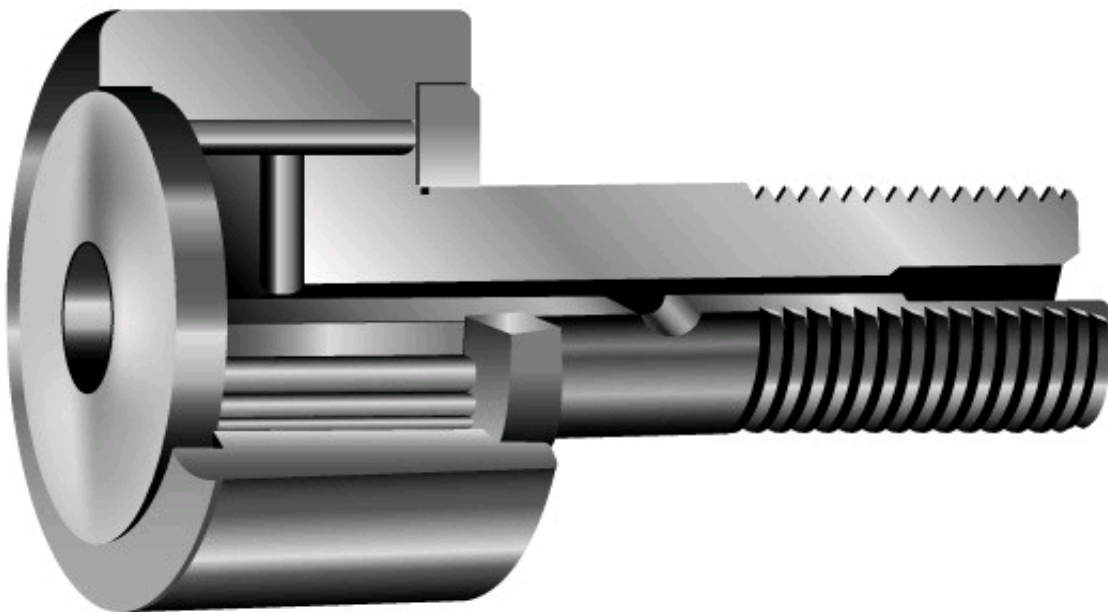
Listed in Ascending Order by Manufacturer Part No.

Thrust Bearings (cont.)							
AGCO Part No.	Manufacturer Part No.	A		B		C	
		Interior Diameter		Outside Diameter		Width	
		(in)	(mm)	(in)	(mm)	(in)	(mm)
71135013	T-199	2.010	51.05	2.940	74.68	0.630	16.00
842033M1	T251	2.510	63.75	4.380	111.25	1.060	26.92
71118123	T-27361	1.239	31.47	1.946	49.43	0.370	9.40
11448	T63	0.638	16.21	1.635	41.53	0.510	12.95
195457M1	T-77W	0.760	19.30	1.630	41.40	0.500	12.70
LS5035	T88	0.890	22.61	1.890	48.00	0.590	15.00
1613884M1	TC4860	3.000	76.20	3.740	95.00	0.070	1.78





# Cam Follower Bearings



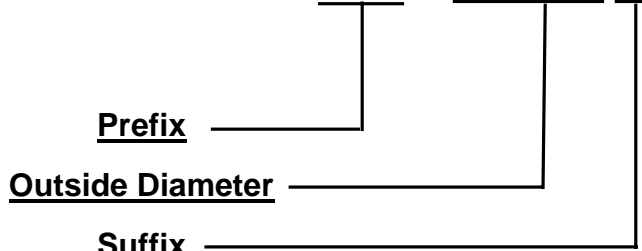


# Cam Follower Bearings

## Introduction

### How To Read A Manufacturer Cam Follower Bearing Part Number

**CF 1-3/4S**



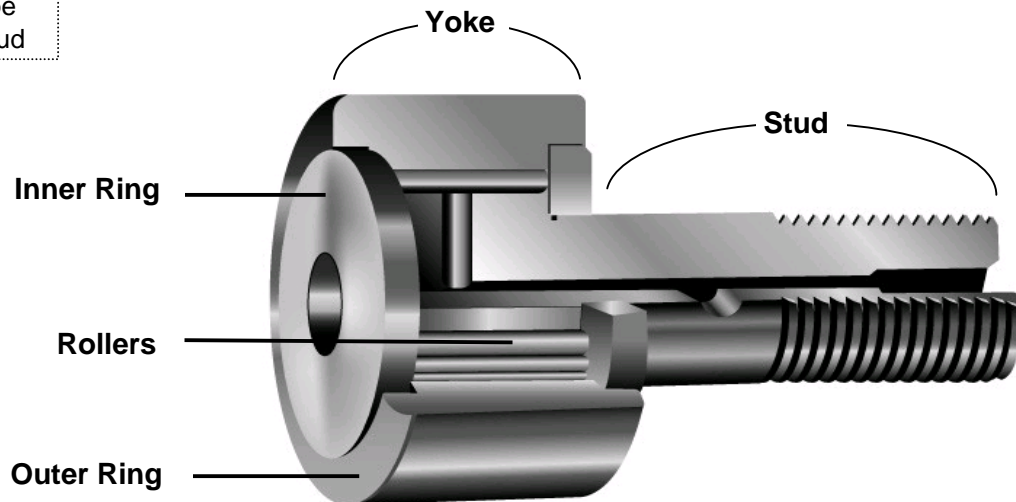
(Example CF1-3/4S: Stud type; 1.75" O.D.; Seals with internal thrust washer)

### Cam Follower Bearing Number Explanation

**Prefix**  
**Timken**  
 CR.....Stud type  
 CF.....Stud type  
 YCR...Yoke type  
 HR.....Heavy stud  
**McGill**  
 CF.....Stud type  
 CYR...Yoke type  
 CFH...Heavy stud

**Outside Diameter**  
 Numbers define Outside Diameter in inches

**Suffix**  
**Timken McGill**  
 S...Seals with internal thrust washer  
 B...Hex wrench socket  
 C...Crowned O.D  
 E...Eccentric stud (CR only)

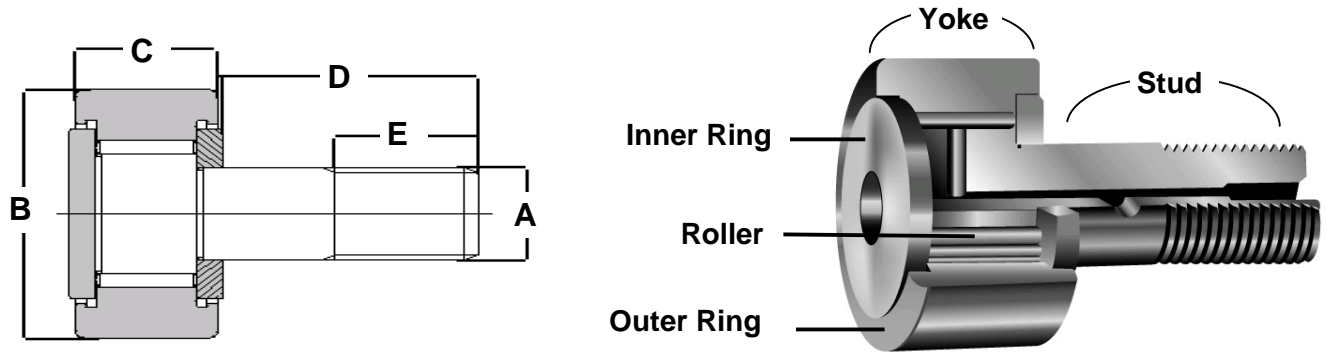




# Cam Follower Bearings

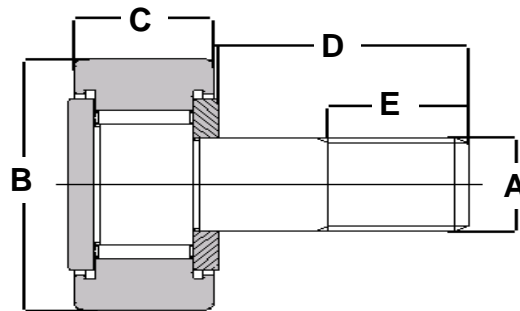
## Introduction

### Identifying the Advantages for Cam Follower Bearings



A Cam Follower bearing is commonly used on manure spreaders, balers, tub grinders and mower-conditioners. Unlike Ball and Roller designs, which use a rigid housing to support their circumference, a Cam Follower bearing features a special, heavier outer ring. This design, along with the internal construction, allows this bearing to withstand deformation from demanding applications.

### Understanding the Bearing Page Layout



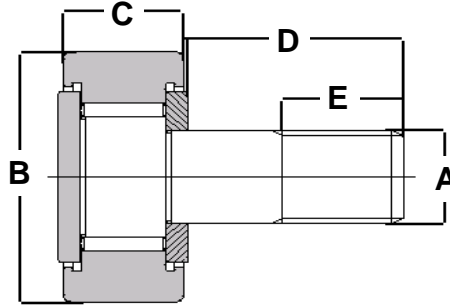
Cam Follower Bearings											
AGCO Part No.	Manufacturer Part No.	A		B		C		D		E	
		Interior Diameter	Outside Diameter	Yoke Width	Stud Width	Thread Width	(in)	(mm)	(in)	(mm)	(in)
70271515	CR-10	0.250	6.35	0.625	15.88	0.406	10.31	0.625	15.88	0.312	7.92

The Illustration at the beginning of each Cam Follower bearing section helps identify a bearing in the absence of the Manufacturer's Part Number. Column headings include: (A) Interior Diameter, (B) Outside Diameter, (C) Yoke Width, (D) Stud Width and (E) Thread Width.



# Cam Follower Bearings

Listed In Ascending Order by Interior Diameter



AGCO offers a wide range of bearings from a number of manufacturers. These Manufacturer Part Numbers are listed for reference only. The part number will not guarantee a specific manufacturer.

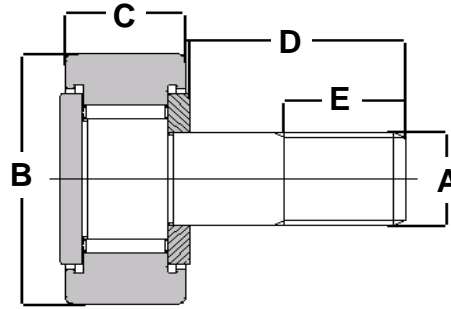
Cam Follower Bearings											
AGCO Part No.	Manufacturer Part No.	A		B		C		D		E	
		Interior Diameter (in)	(mm)	Outside Diameter (in)	(mm)	Yoke Width (in)	(mm)	Stud Width (in)	(mm)	Thread Width (in)	(mm)
70271515	CR-10	0.250	6.35	0.625	15.88	0.406	10.31	0.625	15.88	0.312	7.92
H202719C91	7031-6V	0.375	9.53	1.250	31.75	0.625	15.88	0.828	21.00	0.414	10.52
7714868	CYR-11/4-S	0.375	9.53	1.250	31.75	0.750	19.05	N/A	N/A	N/A	N/A
70540922	8583	0.390	9.91	1.500	38.10	0.630	16.00	0.900	22.86	0.750	19.05
832477M1	CRS-16	0.438	11.11	1.000	25.40	0.625	15.88	1.000	25.40	0.500	12.70
31-1825200	CF-1-S-56	0.438	11.13	1.000	25.40	0.625	15.88	0.734	18.64	N/A	N/A
290030	9727	0.480	12.19	1.750	44.45	0.750	19.05	1.000	25.40	0.688	17.46
8050866	CFL11/4SB	0.500	12.70	1.250	31.75	0.750	19.05	1.250	31.75	0.625	15.88
17323	CR-1-1/4-XC	0.500	12.70	1.250	31.75	0.750	19.05	1.250	31.75	0.700	17.78
01148SR	CF-13/8	0.500	12.70	1.375	34.93	0.750	19.05	1.250	31.75	0.625	15.88
700720050	DF0109LLPX1/L657#01	0.500	12.70	1.500	38.10	0.621	15.77	N/A	N/A	N/A	N/A
700705612	7811E	0.500	12.70	1.500	38.10	0.625	15.88	1.062	27.00	0.625	15.88
31-2551220	CCFH-1-S-1	0.625	15.88	1.000	25.40	0.625	15.88	0.734	18.64	N/A	N/A
710426	CRS-26	0.625	15.88	1.625	41.28	0.870	22.10	1.500	38.10	0.750	19.05
443342M2	7651RH	0.625	15.88	3.813	96.84	0.781	19.84	0.875	22.23	0.688	17.46
669533M1	7042	0.630	16.00	2.047	52.00	0.700	17.78	1.310	33.27	0.906	23.00
70541725	7890	0.740	18.80	1.850	47.00	0.550	14.00	1.320	33.53	0.970	24.64
843770M2	CFH1-1/4SB	0.750	19.05	1.250	31.75	0.750	19.05	1.250	31.75	0.625	15.88
700710526	CF13/4-S	0.750	19.05	1.750	44.45	1.000	25.40	1.750	44.45	0.875	22.23
843150M1	CF1-3/4SZZ	0.750	19.05	1.750	44.45	1.000	25.40	1.750	44.45	0.875	22.23
1703792	72274VTE86	0.750	19.05	1.850	47.00	0.550	14.00	1.530	38.86	1.100	27.94
W509598E	8821	0.750	19.05	1.850	47.00	0.551	14.00	1.313	33.34	0.938	23.81
7713829	6901P	0.750	19.05	2.510	63.75	0.888	22.56	0.812	20.62	0.812	20.62
700711707	CFH13/4S	1.000	25.40	1.750	44.45	1.000	25.40	1.750	44.45	0.875	22.23
581318M91	7623	1.063	27.00	1.850	47.00	0.551	14.00	1.500	38.10	0.563	14.29
7713837	CFH2S	1.126	28.60	2.000	50.80	1.250	31.75	2.000	50.80	1.000	25.40
834163M1	CFE-2-1/4-S-1	1.188	30.16	2.250	57.15	1.250	31.75	1.724	43.79	0.875	22.23
831940M1	6977	1.235	31.37	2.047	52.00	0.700	17.78	1.371	34.82	1.063	27.00
700703946	CCFH21/2SB	1.250	31.75	2.500	63.50	1.500	38.10	2.250	57.15	1.125	28.58
6565139	CCFHL21/2SB1	1.250	31.75	2.500	63.50	1.500	38.10	2.250	57.15	1.125	28.58
8050874	MCGILL#PCR-3-1	1.250	31.75	3.000	76.20	1.812	46.00	2.250	57.15	1.125	28.58
508330M1	SRF55RR	1.500	38.10	2.750	69.85	1.245	31.62	N/A	N/A	N/A	N/A





# Cam Follower Bearings

Listed In Ascending Order by Manufacturer Part No.



AGCO offers a wide range of bearings from a number of manufacturers. These Manufacturer Part Numbers are listed for reference only. The part number will not guarantee a specific manufacturer.

Cam Follower Bearings											
AGCO Part No.	Manufacturer Part No.	A		B		C		D		E	
		Interior Diameter (in)	(mm)	Outside Diameter (in)	(mm)	Yoke Width (in)	(mm)	Stud Width (in)	(mm)	Thread Width (in)	(mm)
7713829	:6901P	0.750	19.05	2.510	63.75	0.888	22.56	0.812	20.62	0.812	20.62
831940M1	:6977	1.235	31.37	2.047	52.00	0.700	17.78	1.371	34.82	1.063	27.00
H202719C91	:7031-6V	0.375	9.53	1.250	31.75	0.625	15.88	0.828	21.00	0.414	10.52
669533M1	:7042	0.630	16.00	2.047	52.00	0.700	17.78	1.310	33.27	0.906	23.00
1703792	:72274VTE86	0.750	19.05	1.850	47.00	0.550	14.00	1.530	38.86	1.100	27.94
581318M91	:7623	1.063	27.00	1.850	47.00	0.551	14.00	1.500	38.10	0.563	14.29
443342M2	:7651RH	0.625	15.88	3.813	96.84	0.781	19.84	0.875	22.23	0.688	17.46
700705612	:7811E	0.500	12.70	1.500	38.10	0.625	15.88	1.062	27.00	0.625	15.88
70541725	:7890	0.740	18.80	1.850	47.00	0.550	14.00	1.320	33.53	0.970	24.64
70540922	:8583	0.390	9.91	1.500	38.10	0.630	16.00	0.900	22.86	0.750	19.05
W509598E	:8821	0.750	19.05	1.850	47.00	0.551	14.00	1.313	33.34	0.938	23.81
290030	:9727	0.480	12.19	1.750	44.45	0.750	19.05	1.000	25.40	0.688	17.46
31-2551220	:CCFH-1-S-1	0.625	15.88	1.000	25.40	0.625	15.88	0.734	18.64	N/A	N/A
700703946	:CCFH21/2SB	1.250	31.75	2.500	63.50	1.500	38.10	2.250	57.15	1.125	28.58
6565139	:CCFHL21/2SB1	1.250	31.75	2.500	63.50	1.500	38.10	2.250	57.15	1.125	28.58
700710526	:CF13/4-S	0.750	19.05	1.750	44.45	1.000	25.40	1.750	44.45	0.875	22.23
843150M1	:CF1-3/4SZZ	0.750	19.05	1.750	44.45	1.000	25.40	1.750	44.45	0.875	22.23
01148SR	:CF-13/8	0.500	12.70	1.375	34.93	0.750	19.05	1.250	31.75	0.625	15.88
31-1825200	:CF-1-S-56	0.438	11.13	1.000	25.40	0.625	15.88	0.734	18.64	N/A	N/A
834163M1	:CFE-2-1/4-S-1	1.188	30.16	2.250	57.15	1.250	31.75	1.724	43.79	0.875	22.23
843770M2	:CFH1-1/4SB	0.750	19.05	1.250	31.75	0.750	19.05	1.250	31.75	0.625	15.88
700711707	:CFH13/4S	1.000	25.40	1.750	44.45	1.000	25.40	1.750	44.45	0.875	22.23
7713837	:CFH2S	1.126	28.60	2.000	50.80	1.250	31.75	2.000	50.80	1.000	25.40
8050866	:CFL11/4SB	0.500	12.70	1.250	31.75	0.750	19.05	1.250	31.75	0.625	15.88
70271515	:CR-10	0.250	6.35	0.625	15.88	0.406	10.31	0.625	15.88	0.312	7.92
17323	:CR-1-1/4-XC	0.500	12.70	1.250	31.75	0.750	19.05	1.250	31.75	0.700	17.78
832477M1	:CRS-16	0.438	11.11	1.000	25.40	0.625	15.88	1.000	25.40	0.500	12.70
710426	:CRS-26	0.625	15.88	1.625	41.28	0.870	22.10	1.500	38.10	0.750	19.05
7714868	:CYR-11/4-S	0.375	9.53	1.250	31.75	0.750	19.05	N/A	N/A	N/A	N/A
700720050	:DF0109LLPX1/L657#01	0.500	12.70	1.500	38.10	0.621	15.77	N/A	N/A	N/A	N/A
8050874	:MCGILL#PCR-3-1	1.250	31.75	3.000	76.20	1.812	46.00	2.250	57.15	1.125	28.58
508330M1	:SRF55RR	1.500	38.10	2.750	69.85	1.245	31.62	N/A	N/A	N/A	N/A





# Housed Units





# Housed Units Introduction

## How To Read A Manufacturer Housed Unit Part Number

Timken

Link-Belt

### RAK 1-1/2

### P-B22447

Prefix

Series

Interior Diameter

(Example RAK1-1/2: Contact shroud seal with locking collar; Low Base; 1.5" I.D.)

Prefix

Spherical Roller Bearing

Series

Interior Diameter

(Example P-B22439: Pillow block; Spherical roller bearing; One locking collar; 2.94" I.D.)

## Housed Unit Number Explanation

Timken

Prefix

Timken

R.....Contact shroud seal with locking collar  
L.....Labyrinth seal with locking collar  
S.....Contact shroud seal, narrow inner ring, setscrew collar  
T.....Tri-Ply shroud seal with locking collar  
V.....Contact shroud seal, narrow inner ring, locking collar  
Y.....Contact shroud seal, wide inner ring, setscrew collar

Series

Timken

AK...Low base  
AO...Heavy base  
AS...High base  
C ....Cylindrical cartridge  
CJ....Four bolt  
CJT..Two bolt

Interior Diameter

1/2" - 2-15/16"  
(15mm - 75mm)

Link-Belt

Prefix

Link-Belt

C.....Cartridge unit  
F.....Four bolt  
P.....Pillow block; standard  
P2...Pillow block; high back  
T.....Takeup unit  
E.....Expansion unit

Spherical Roller

Roller Bearings designed with an extended inner ring.

Series

Link-Belt

400 (one locking collar)  
500 (two locking collars)  
600 (adapter mounted)

Suffix

Link-Belt

F...Four bolt  
J...Labyrinth seal  
E...Lip seal  
C...Closed end

Interior Diameter

In sixteenths of an inch





# Housed Units Introduction

## Identifying the Advantages for Housed Units

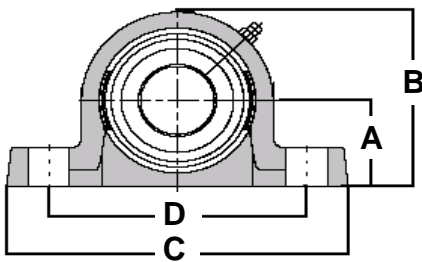


AGCO offers several types of housed units used in many agricultural applications. Pillow Block, Four Bolt, Three Bolt and Two Bolt housings are composed of cast iron for strength, rigidity and load support. The Housing Assembly part number includes the housing and bearing. Directly below the Housing Assembly Number is the Replacement Bearing Insert for each housing.

**Note: Although each bearing manufacturer follows ABMA (American Bearing Manufacturers Association) standards, it is not advisable to use a different manufacturer's bearing in a housing.**

## Understanding the Housed Unit Page Layout

Pillow Block



Pillow Block Units														
AGCO Part No.	Manufacturer Part No.	Type	Series	Interior Diameter		A Shaft Height		B Total Height		C Width		D Bolt Spacing		Bolt Size (in)
				(in)	(mm)	(in)	(mm)	(in)	(mm)	(in)	(mm)	(in)	(mm)	
AG607412	VAS-1	Asy.	52	1.00	25.40	1.44	36.51	2.81	71.40	5.50	139.70	4.13	104.80	0.375
70565094	YET 205 100	Insert												

The Illustrations at the beginning of each housed unit section are used to help identify a unit in the absence of the Manufacturer's Part Number. Column headings include: Type, Series, Interior Diameter, (A) Shaft Height, (B) Total Height, (C) Width, (D) Bolt Spacing and Bolt Size in inches.

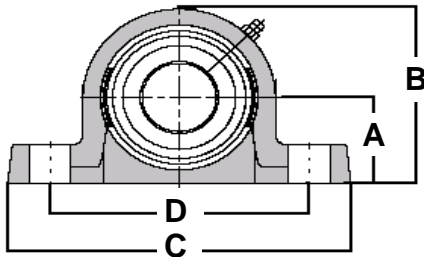


# Housed Units

## Pillow Blocks / Cast Iron

### Listed In Ascending Order by Housing Series

Pillow Block



AGCO offers a wide range of bearings from a number of manufacturers. These Manufacturer Part Numbers are listed for reference only. The part number will not guarantee a specific manufacturer.

Pillow Block Units

AGCO Part No.	Manufacturer Part No.	Type	Series	Interior Diameter		A Shaft Height		B Total Height		C Width		D Bolt Spacing		Bolt Size (in)
				(in)	(mm)	(in)	(mm)	(in)	(mm)	(in)	(mm)	(in)	(mm)	
AG607412	VAS-1	Asy.	52	1.00	25.40	1.44	36.51	2.81	71.40	5.50	139.70	4.13	104.80	0.375
70565094	YET 205 100	Insert												
W2730930	VAS-1	Asy.	52	1.00	25.40	1.44	36.51	2.81	71.40	5.50	139.70	4.13	104.80	0.375
70565094	YET 205 100	Insert												
70248385	SY1-1/4 TF	Asy.	62	1.25	31.75	1.69	42.88	3.31	84.15	6.25	158.75	5.25	133.35	0.500
71308984	YET 206-104	Insert												
Y711671	VAS1 1/4S	Asy.	62	1.25	31.75	1.69	42.88	3.31	84.15	6.25	158.75	5.25	133.35	0.500
70590711	GRA103RRB2	Insert												
7738-6	P3Y220N	Asy.	72	1.25	31.75	1.88	47.63	3.75	95.25	6.75	171.45	5.00	127.00	0.500
Y710434	YG220NL	Insert												
743632	SY 1.375 FM	Asy.	72	1.38	34.93	1.88	47.75	3.69	93.73	6.75	171.45	5.25	133.35	0.500
712315	YET 207-106	Insert												
SN10132	HCP207-23	Asy.	72	1.44	36.51	1.88	47.63	2.19	55.63	6.56	166.69	5.00	127.00	0.500
711630	YET 207-107	Insert												
7738-14	PL3W224U	Asy.	80	1.50	38.10	1.94	49.23	3.94	100.00	7.13	180.98	5.38	136.53	0.500
843636M1	GRA108RRB	Insert												
71368048	SY 1-1/2 FM	Asy.	80	1.50	38.10	1.94	49.21	3.94	100.00	6.88	174.63	4.94	125.43	0.500
843636M1	GRA108RRB	Insert												
743633	VAS1-1/2	Asy.	80	1.50	38.10	1.94	49.21	3.94	100.00	7.06	179.39	5.38	136.53	0.500
843636M1	GRA108RRB	Insert												



# Housed Units

## Pillow Blocks / Cast Iron

Listed In Ascending Order by Housing Series

Pillow Block Units (cont.)														
AGCO Part No.	Manufacturer Part No.	Type	Series	Interior Diameter		A Shaft Height		B Total Height		C Width		D Bolt Spacing		Bolt Size (in)
				(in)	(mm)	(in)	(mm)	(in)	(mm)	(in)	(mm)	(in)	(mm)	
AG516274	VAS-1 1/2	Asy.	80	1.50	38.10	1.94	49.21	3.94	100.00	7.06	179.39	5.38	136.53	0.500
843636M1	GRA108RRB	Insert												
N12732	RAK 1 1/2	Asy.	80	1.50	38.10	1.94	49.21	3.94	100.00	7.06	179.39	5.38	136.53	0.500
10970	G1108KRRB	Insert												
AG707875	P3W216U	Asy.	80	1.00	25.40	1.44	36.51	2.88	73.00	5.38	136.50	4.00	101.60	0.500
844095M1	YET 205 100	Insert												
7494-5	P-B22428H	Asy.	85	1.75	40.00	2.13	53.98	4.38	111.13	7.38	187.33	5.19	131.78	0.500
7738-16	P3-Y228N	Asy.	85	1.75	44.45	2.13	53.98	4.19	106.38	7.38	187.33	5.63	142.88	0.500
831877M1	YG228NL	Insert												
1037228M91	BS219282	Asy.	85	1.62	41.15	2.13	53.98	4.31	110.00	7.25	184.15	5.63	142.88	0.500
72509763	SY 1 3/4 TF	Asy.	85	1.75	44.45	2.13	53.98	4.25	108.00	7.38	187.33	6.00	152.40	0.500
N15637	WG228EL1	Insert												
7494-6	PE-B22439H	Asy.	110	2.44	62.00	2.75	69.85	5.50	139.70	9.25	234.95	6.81	173.05	0.625
7738-25	UELPL-2.1/4	Asy.	110	2.25	57.15	2.69	68.28	5.38	136.53	9.50	241.30	7.50	190.50	0.625
1A60065	BS221177	Asy.	110	2.44	62.00	2.75	69.85	5.50	139.70	9.25	234.95	7.13	180.98	0.625
AG610853	SY27/16TF	Asy.	110	2.44	62.00	2.69	68.28	5.44	138.13	9.50	241.30	7.06	179.40	0.625
AG059756	SYR27/16N118	Asy.	110	2.44	62.00	2.75	69.85	5.69	144.48	9.25	234.95	7.44	188.93	0.625
7494-7	P-B22447H	Asy.	130	2.94	75.00	3.25	82.55	6.44	163.53	10.44	265.13	7.81	198.45	0.750

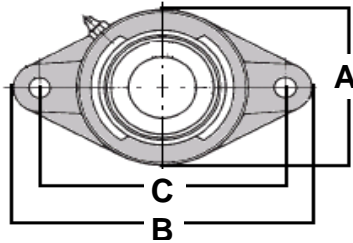


# Housed Units

## Two Bolt / Cast Iron

### Listed In Ascending Order by Housing Series

Two Bolt



AGCO offers a wide range of bearings from a number of manufacturers. These Manufacturer Part Numbers are listed for reference only. The part number will not guarantee a specific manufacturer.

Two Bolt Units

AGCO Part No.	Manufacturer Part No.	Type	Series	Interior Diameter		A Total Height		B Width		C Bolt Spacing		Bolt Size (in)
				(in)	(mm)	(in)	(mm)	(in)	(mm)	(in)	(mm)	
700708582	VFTD1 1/8	Asy.	62	1.125	28.58	3.094	78.59	3.562	90.47	3.562	90.47	0.375
70590709	RA102RRB	Insert										
3734404M1	AELPFL206W3	Asy.	62	1.181	30.00	3.307	84.00	4.449	113.00	3.543	90.00	0.375
1142452	AEL206	Insert										
AG517929	KFC2-25-1-1/4	Asy.	72	1.250	31.75	5.875	149.23	6.875	174.63	5.875	149.23	0.500
L517929	KFC2-25-1-1/4	Asy.	72	1.250	31.75	5.875	149.23	6.875	174.63	5.875	149.23	0.500
714808	RCJTC 1 1/4	Asy.	72	1.250	31.75	3.625	92.08	6.125	155.58	5.125	130.18	0.500
711846	GC1104KRRB	Insert										
700719343	RFTD1 1/4	Asy.	72	1.250	31.75	3.500	88.90	4.812	122.20	3.937	100.00	0.375
71309117	YEL-207-104 2FW	Insert										
Y711986	RCJT1-3/8	Asy.	72	1.375	34.93	3.625	92.08	6.125	155.58	5.125	130.18	0.500
12640	G1106KRRB	Insert										
3787856M1	RCJT40	Asy.	80	1.575	40.00	4.125	104.78	6.750	171.45	5.565	143.60	0.500
3734161M1	GE40KRRB	Insert										
2492063W91	UELFLU210-1.15/16	Asy.	90	1.938	49.21	4.563	115.90	7.469	189.71	6.188	157.18	0.625
22602X	G1115KRRB	Insert										
2492063W91	UELFLU210-1.15/16	Asy.	90	1.938	49.21	4.563	115.89	7.438	188.90	6.188	157.20	0.625
2403570W1	FLU210D1	Housing										
22602X	G1115KRRB	Insert										



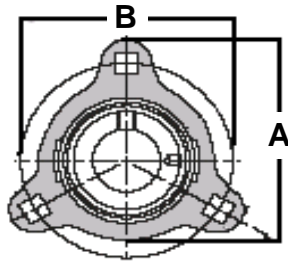


# Housed Units

## Three Bolt / Cast Iron

### Listed In Ascending Order by Housing Series

Three Bolt



AGCO offers a wide range of bearings from a number of manufacturers. These Manufacturer Part Numbers are listed for reference only. The part number will not guarantee a specific manufacturer.

#### Three Bolt Units

AGCO Part No.	Manufacturer Part No.	Type	Series	Interior Diameter		A Width		B Bolt Spacing		Bolt Size
				(in)	(mm)	(in)	(mm)	(in)	(mm)	
70577159	VFD1	Asy.	52	1.000	25.40	3.750	95.20	3.000	76.20	0.344
71308951	YET 205-100 W	Insert								
714394	FRY2E20N	Asy.	72	1.250	31.75	4.437	112.70	3.562	90.50	0.375
71308995	1103KRRB3 + Col	Insert								
714154	FRW222E	Asy.	72	1.375	34.93	4.813	122.25	3.938	100.00	0.375
50021	RA106RRB + Col	Insert								
700706305	RFDR1 1/4	Asy.	72	1.250	31.75	4.813	122.25	3.938	100.00	0.375
71309117	YEL-207-104 2FW	Insert								
7487-1	001NF-W22OE	Asy.	72	1.250	31.75	4.813	122.25	3.938	100.00	0.375
51292	YET207-104W	Insert								
7427-4	001NFR-YG224N	Asy.	80	1.500	38.10	5.813	147.65	4.688	119.08	0.500
712059	YEL208-108	Insert								
700717917	RFDR1 3/4	Asy.	85	1.750	44.45	5.875	149.23	4.750	120.65	0.500
70539158	1112KRRB + Col	Insert								

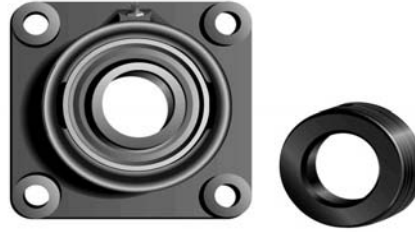
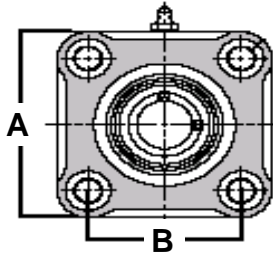


# Housed Units

## Four Bolt / Cast Iron

Listed In Ascending Order by Housing Series

Four Bolt



AGCO offers a wide range of bearings from a number of manufacturers. These Manufacturer Part Numbers are listed for reference only. The part number will not guarantee a specific manufacturer.

Four Bolt Units										
AGCO Part No.	Manufacturer Part No.	Type	Series	Interior Diameter		A Width		B Bolt Spacing		Bolt Size
				(in)	(mm)	(in)	(mm)	(in)	(mm)	
HA24967	BY409941	Asy.	72	1.375	34.93	4.625	117.48	3.625	92.08	0.500
12640	G1106KRRB	Insert								
743634	FY 1.375 FM	Asy.	72	1.375	34.93	4.625	117.48	3.625	92.08	0.500
712315	YET 207-106	Insert								
31-1741070	FY 1 3/8 WM	Asy.	72	1.375	34.93	4.625	117.48	3.625	92.08	0.500
12640	G1106KRRB C1 L/C	Insert								
7739-6	TCJ1 3/8	Asy.	72	1.375	34.93	4.625	117.48	3.625	92.08	0.500
711879	G1106KPPB2 + Col	Insert								
747590	RCJ1 3/8	Asy.	72	1.375	34.93	4.625	117.48	3.625	92.08	0.500
70542703	YEL 207-106+Col	Insert								
71502255	RCJ-1 7/16	Asy.	72	1.438	36.50	4.625	117.50	3.625	92.10	0.500
70547444	RA107RRB + Col	Insert								
743635	FY 1.5 FM	Asy.	80	1.500	38.10	5.130	130.30	4.000	101.60	0.500
50468	YET 208-108	Insert								
AG515946	FC4-25-1 1/2	Asy.	80	1.500	38.10	5.250	133.00	3.938	100.00	0.500
71378740	B/P 12904	Asy.	80	1.250	31.75	5.807	147.50	4.688	119.08	0.500
70575883	W208PPB16 FS544	Insert								
SNRT160714	HCFS208-24	Asy.	80	1.500	38.10	5.000	127.00	4.000	101.60	0.500
SNRT160500	HC208-24	Insert								
NX16030	FY508	Asy.	80	1.500	38.10	5.125	130.18	4.000	101.60	0.500



# Housed Units

## Four Bolt / Cast Iron

Listed In Ascending Order by Housing Series

Four Bolt Units (cont.)										
AGCO Part No.	Manufacturer Part No.	Type	Series	Interior Diameter		A Width		B Bolt Spacing		Bolt Size
				(in)	(mm)	(in)	(mm)	(in)	(mm)	
71197421	RFC1 3/4 L/C	Asy.	85	1.750	44.45	6.125	155.58	5.125	130.18	0.500
7710015	GC1112KRRB + Col	Insert								
AG515562	RCJ-13/4	Asy.	85	1.750	44.45	5.375	136.53	4.125	104.78	0.500
831877M1	YEL 209-112-2F	Insert								
50237	F3Y228N	Asy.	85	1.750	44.45	5.375	136.53	4.125	104.78	0.500
831877M1	YEL 209-112-2F	Insert								
742144V	F3Y228N	Asy.	85	1.750	44.45	5.375	136.53	4.125	104.78	0.500
N15637	WG228EL1	Insert								
743636	FY1-3/4FM	Asy.	85	1.750	44.45	2.380	60.45	4.130	104.90	0.500
51318	RA112RRB + Col	Insert								
71197421	RFC1 3/4 L/C	Asy.	85	1.750	44.45	6.125	155.58	5.125	130.18	0.500
7710015	GC1112KRRB + Col	Insert								
7710007	RCJC1 3/4	Asy.	85	1.750	44.45	5.375	136.53	4.125	104.78	0.500
7710015	GC1112KRRB + Col	Insert								
7710155	FRYG228N	Asy.	85	1.750	44.45	5.880	149.35	4.750	120.65	0.500
831877M1	YEL 209-112-2F	Insert								
747811	RCJO1 1/2	Asy.	90	1.500	38.10	5.375	136.53	4.125	104.78	0.625
700721328	GN108KRRB + Col	Insert								
270823	RCJ1 15/16	Asy.	90	1.938	49.21	5.625	142.90	4.375	111.10	0.625
22602X	G1115KRRB + Col	Insert								
12704	RCJ 2 3/16	Housing	100	2.188	55.56	6.375	161.90	5.125	130.18	0.625
12705	YEL 211 203	Insert								
536953M91	RCJC2 3/16	Asy.	100	2.188	55.58	6.300	160.02	5.125	130.18	0.625
842608M1	GC1203KRRB	Insert								
7713704	TCJ2	Asy.	100	2.000	50.80	6.375	161.93	5.125	130.18	0.625
7713985	YG232E3L	Insert								
18071	FY-55-TF	Asy.	100	2.165	55.00	6.375	161.93	5.125	130.18	0.625



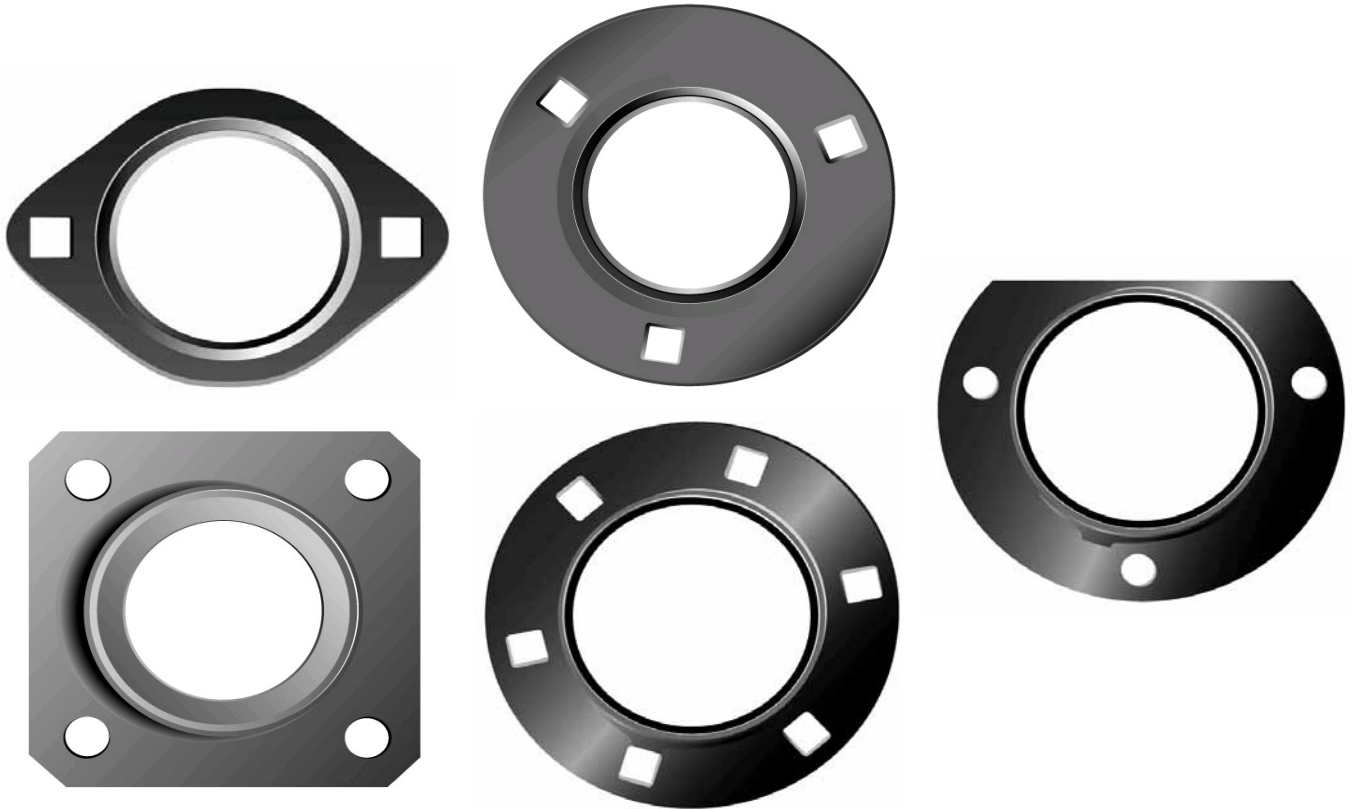
# Housed Units

## Four Bolt / Cast Iron

Listed In Ascending Order by Housing Series

Four Bolt Units (cont.)										
AGCO Part No.	Manufacturer Part No.	Type	Series	Interior Diameter		A Width		B Bolt Spacing		Bolt Size
				(in)	(mm)	(in)	(mm)	(in)	(mm)	
7739-25	F3U239H/K15	Asy.	110	2.438	61.93	6.875	174.63	5.625	142.88	0.625
N17341	FYM 2-1/2 TM	Asy.	120	2.500	63.50	7.375	187.33	5.875	149.23	0.625
AG708470	YAR 213-208	Insert								
764955V	RCJ 2 11/16	Asy.	125	2.688	68.26	7.375	187.33	5.875	149.23	0.625
15862V	G1211KRRB + Col	Insert								

# Flangettes

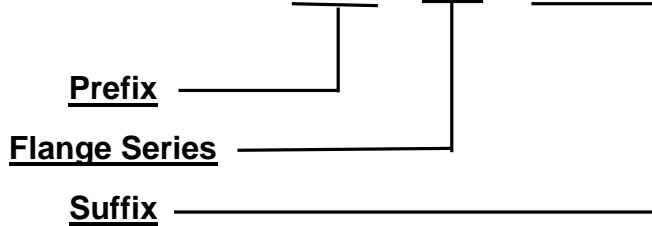




# Flangettes Introduction

## How To Read A Manufacturer Flangette Part Number

# TG 72 MSA-ZP



(Example TG72MSA-ZP: Torque rated; Grease zerk; 72mm O.D. bearing insert; Relube with fitting; Zinc plate with clear chromate)

## Housed Unit Number Explanation

**Prefix**  
T....Torque rated  
G...Grease zerk

**Flange Series**  
The Flange Series number refers to the outside diameter of the bearing that fits within the flangette. For example, a bearing with a 72mm O.D. will fit the above flangette.

**Suffix**  
ZP.....Zinc plate with clear chromate  
YZP.....Zinc plate with yellow dichromate  
MS.....Non-relube  
MSA.....Relube with fitting  
MSB.....Relube, mate flange to MSA  
MST.....2 bolt  
MSTR....3 bolt triangular  
MS-S.....Non-relubricatable square  
MSA-S...Relubricatable square with fitting  
MSB-S....Relubricatable square, mate flange to MSA-S

Flange Series Additional Information			
Flange Series	Bearing		Carriage Bolt Size (in)
	Outside Diameter (in)	(mm)	
40	1.57	40	1/4 x 3/4
47	1.85	47	5/16 x 3/4
52	2.05	52	5/16 x 3/4
62	2.44	62	3/8 x 3/4
72	2.83	72	3/8 x 3/4
80	3.15	80	1/2 x 3/4
85	3.35	85	1/2 x 3/4
90	3.54	90	1/2 x 3/4
100	3.94	100	1/2 x 3/4





# Flangettes

## Introduction

### Identifying the Advantages for Flangettes



AGCO offers a wide selection of Flangette assemblies designed to fit a variety of agricultural applications. Each Flangette assembly is a two-piece, pressed-steel assembly that allows a wide tolerance for mounting accuracy and rigidity. They are commonly used in lighter-duty applications and are an economical alternative to a cast housing. Flangettes used in harsh weather conditions or chemical applications are recommended to be zinc plated with a yellow dichromate finish. The yellow dichromate finish has 2.6 times more resistance to red rust in harsh conditions when compared to the clear chromate.

### Understanding the Flangette Page Layout



Two Bolt Self-Aligning Flangettes									
AGCO Part No.	Manufacturer Part No.	Flange Series	Interior Diameter		A Outside Diameter		B Bolt Spacing		Flangette Information (w/o Zerk : Zerk)
			(in)	(mm)	(in)	(mm)	(in)	(mm)	
AG516341	40MS-ZP	40	1.57	40	3.130	79.50	2.500	63.50	w/o Zerk

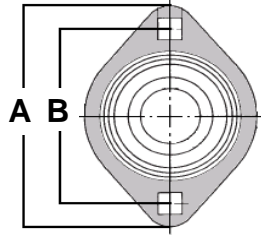
The Illustrations at the beginning of each flange section are used to help identify a unit in the absence of the Manufacturer's Part Number. The column headings include: Flange Series, Interior Diameter, (A) Outside Diameter, (B) Bolt Spacing and Flangette Information, with or without a grease zerk.



# Flangettes

## Two Bolt / Pressed Steel

Listed in Ascending Order by Flange Series



AGCO offers a wide range of bearings from a number of manufacturers. These Manufacturer Part Numbers are listed for reference only. The part number will not guarantee a specific manufacturer.

Two Bolt Self-Aligning Flangettes							
AGCO Part No.	Manufacturer Part No.	Flange Series	A		B		Flangette Information (w/o Zerk : Zerk)
			Outside Diameter (in)	(mm)	Bolt Spacing (in)	(mm)	
70592118	21FLMXZ48PP2	21	3.250	82.55	2.500	63.50	w/o Zerk : w/ Bearing : 3/4" rd bore
70595363	21FLMXZ48PP2CA	21	3.250	82.55	2.500	63.50	w/o Zerk : w/ Bearing : 3/4" rd bore
W247647B	21FLMXYZH48APP2	21	3.250	82.55	2.500	63.50	w/o Zerk : w/ Bearing : 3/4" hx bore
700715941	41FL64PP	41	3.750	95.25	3.000	76.20	w/o Zerk : w/ Bearing : 1" rd bore
700108622	35MST	35	3.875	98.43	2.940	74.68	w/o Zerk : Squared edges
AG516341	40MS-ZP	40	3.130	79.50	2.500	63.50	w/o Zerk
553-040	40MST2	40	3.188	81.00	2.500	63.50	w/o Zerk
711952	47MST-ZP	47	3.562	90.47	2.812	71.42	w/o Zerk
50591	T52MST-ZP	52	3.750	95.25	3.000	76.20	w/o Zerk
700717515	T52MST-ZP	52	3.750	95.25	3.000	76.20	w/o Zerk
833766M1	52MST-ZP	52	4.750	120.65	4.000	101.60	w/o Zerk
831982M1	62M-2ZP	62	4.438	112.73	3.563	90.50	w/o Zerk
Y710293	62MST-ZP	62	4.437	112.70	3.562	90.47	w/o Zerk
51987	72MST	72	4.938	125.43	3.938	100.00	w/o Zerk
833349M1	72 M 2	72	4.940	125.48	3.938	100.00	w/o Zerk

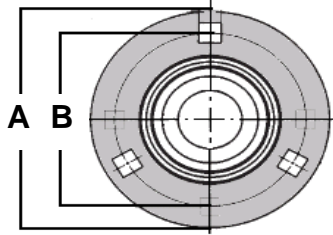




# Flangettes

## Three Bolt / Pressed Steel

Listed in Ascending Order by Flange Series



AGCO offers a wide range of bearings from a number of manufacturers. These Manufacturer Part Numbers are listed for reference only. The part number will not guarantee a specific manufacturer.

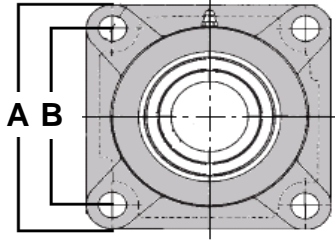
Three Bolt Self-Aligning Flangettes							
AGCO Part No.	Manufacturer Part No.	Flange Series	A		B		Flangette Information (w/o Zerk : Zerk)
			Outside Diameter (in)	(mm)	Bolt Spacing (in)	(mm)	
<b>Three Bolt Round</b>							
50393	4FL56PP	22	3.750	95.25	3.000	76.20	w/o Zerk : w/Bearing : 7/8" rd bore
7474-2	AG1100S	25	3.750	95.25	3.000	76.20	w/o Zerk : w/ Bearing : 2-1/2" rd bore
441401M1	35MS	35	2.875	73.00	2.125	54.00	w/o Zerk
70530811	40MS-ZP	40	3.187	80.95	2.500	63.50	w/o Zerk
22632X	47MM-3ZP	47	3.563	90.50	2.813	71.45	w/o Zerk
713800	47MS-ZP	47	3.562	90.47	2.812	71.42	w/o Zerk
832933M1	52MM-3EZP	52	3.750	95.25	3.000	76.20	w/o Zerk
WZ277	52MM-3R(PLAIN)	52	3.750	95.25	3.000	76.20	w/o Zerk
50567	52MS-2ZP	52	3.750	95.25	3.000	76.20	w/o Zerk
243369M1	52MM-ZP	52	4.438	112.73	3.563	90.50	w/o Zerk
Y50534	62MS-C1	62	4.438	112.73	3.562	90.47	w/o Zerk
50534B	62MS-C1	62	4.438	112.73	3.562	90.47	w/o Zerk
834738M1	62MS	62	4.438	112.73	3.563	90.50	w/o Zerk
71307584	G62MSA-6ZP	62	4.437	112.70	3.562	90.47	Zerk
71307583	G62MSB-3ZP	62	4.437	112.70	3.562	90.47	Zerk
70593178	TG62MSA-5ZP	62	4.437	112.70	3.562	90.47	Zerk
051417P	72MS-C1	72	4.810	122.17	3.937	100.00	w/o Zerk
71370130	72MS-ZP	72	4.811	122.20	3.937	100.00	w/o Zerk : Cut Out on edge
700717509	72MS-2YZP	72	4.812	122.22	3.937	100.00	w/o Zerk
700710412	TG72MSA-13ZP	72	4.812	122.22	3.937	100.00	Zerk
70593180	TG72MSA-2ZP	72	4.812	122.22	3.937	100.00	Zerk
70593181	TG72MSB-ZP	72	4.812	122.22	3.937	100.00	Zerk
541388M2	72MM-3ZP	72	4.940	125.48	3.937	100.00	w/o Zerk
<b>Three Bolt Triangular</b>							
6105621	6105621	44	3.250	82.55	3.000	76.20	w/o Zerk : Rounded Points
6630376	47MM-3TZP	47	3.000	76.20	2.812	71.42	w/o Zerk
71133361	52MSTR-4YZP	52	3.156	80.16	3.000	76.20	w/o Zerk
17264	T52MSTR-YZP	52	3.156	80.16	3.000	76.20	w/o Zerk
71127313	T62MSTR-2YZP	62	3.625	92.08	3.562	90.47	w/o Zerk
71192243	T72MSTR-2YZP	72	4.187	106.35	3.937	100.00	w/o Zerk



# Flangettes

## Four Bolt / Pressed Steel

Listed in Ascending Order by Flange Series



AGCO offers a wide range of bearings from a number of manufacturers. These Manufacturer Part Numbers are listed for reference only. The part number will not guarantee a specific manufacturer.

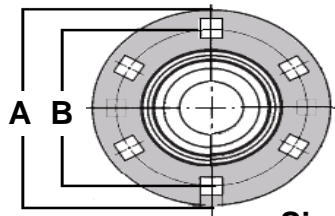
Four Bolt Self-Aligning Flangettes							
AGCO Part No.	Manufacturer Part No.	Flange Series	A		B		Flangette Information (w/o Zerk : Zerk)
			Outside Diameter (in)	(mm)	Bolt Spacing (in)	(mm)	
<b>Four Bolt Round</b>							
834145M1	52MS-8ZP	52	3.750	95.25	3.125	79.38	Special
834116M1	80MM	80	5.813	147.65	4.688	119.08	w/o Zerk
050575P	80MS	80	5.812	147.62	4.688	119.08	w/o Zerk
70586145	80MSA	80	5.750	146.05	5.250	133.35	w/o Zerk
290237	G80MSB-6YZP	80	5.812	147.62	4.687	119.05	Zerk : Two sides are trimmed
W238483B	80MM-4GPR	80	5.813	147.65	4.688	119.08	Zerk
W238482B	80MM-4GRLZ	80	5.813	147.65	4.688	119.08	Zerk
EP6577	85MM-4GZPLZ	85	5.875	149.23	4.750	120.65	Zerk
EP6578	G85MSB-YZP	85	5.875	149.23	4.750	120.65	Zerk
71138464	90MS-ZP	90	6.125	155.58	5.000	127.00	w/o Zerk
700721325	G90MSA-YZP	90	6.125	155.58	5.000	127.00	Zerk
700721326	G90MSB-YZP	90	6.125	155.58	5.000	127.00	Zerk
70583925	G100MSA-2ZP	100	6.562	166.67	5.437	138.10	Zerk
70583924	G100MSB-ZP	100	6.562	166.67	5.437	138.10	Zerk
714360	100MS-ZP	100	6.562	166.67	5.438	138.13	w/o Zerk
<b>Four Bolt Square</b>							
70569556	80MM	80	4.920	125.00	3.750	95.25	w/o Zerk
70586144	G80MSA	80	4.920	125.00	3.750	95.25	Zerk
700711918	T80MS-S2ZP	80	4.750	120.65	4.687	119.05	w/o Zerk
17819	T80MS-S4YZP	80	4.750	120.65	4.687	119.05	w/o Zerk
17789	T80MS-SYZP	80	4.750	120.65	4.687	119.05	w/o Zerk
AG510149	MB 2303PL	80	4.625	117.48	4.000	101.60	w/o Zerk
842304M1	85MS-S6	85	5.250	133.35	5.000	127.00	w/o Zerk
664837M91	G85MSA-S7	85	5.250	133.35	5.000	127.00	Zerk
71130258	T85MS-SYZP	85	4.750	120.65	4.750	120.65	w/o Zerk
664943M2	100MSB-S5	100	6.000	152.40	5.438	138.13	w/o Zerk
664944M2	100MSB-S6	100	6.000	152.40	5.438	138.13	Zerk



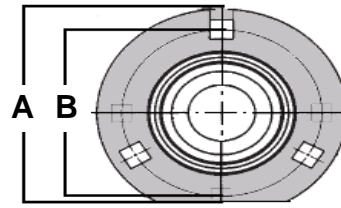
# Flangettes

## Six & Eight Bolt / Pressed Steel

### Listed in Ascending Order by Flange Series



**Six Bolt**



**Clipped Edge**



AGCO offers a wide range of bearings from a number of manufacturers. These Manufacturer Part Numbers are listed for reference only. The part number will not guarantee a specific manufacturer.

Six Bolt Self-Aligning Flangettes							
AGCO Part No.	Manufacturer Part No.	Flange Series	A		B		Flangette Information (w/o Zerk : Zerk)
			Outside Diameter (in)	(mm)	Bolt Spacing (in)	(mm)	
<b>Six Bolt Round</b>							
71369864	62MS-19YZP	62	4.437	112.70	3.562	90.47	w/o Zerk
712612B	72MS-6	72	4.810	122.17	3.937	100.00	w/o Zerk
71370634	72MS-15YZP	72	4.812	122.22	3.937	100.00	w/o Zerk
Y712620	G72MSA-5YZP	72	4.812	122.22	3.937	100.00	Zerk
Y711440	G72MSB-5YZP	72	4.812	122.22	3.937	100.00	Zerk
<b>Eight Bolt Round</b>							
AG523209	S20056A	90	6.120	155.45	4.875	123.83	w/o Zerk
700703236	HT90MS-4ZP	90	6.125	155.58	5.000	127.00	w/o Zerk
<b>Clipped Edge Self-Aligning Flangettes</b>							
<b>Three Bolt Round</b>							
163733	72- Special	72	3.500	88.90	3.938	100.00	w/o Zerk
428979	80 - Special	80	5.812	147.62	4.688	119.08	w/o Zerk
71126430	212555	80	5.125	130.18	4.135	105.00	w/o Zerk
842049M1	85MM-ZP	85	5.875	149.23	4.750	120.65	w/o Zerk
<b>Four Bolt Round</b>							
842453M1	72MM-3ZP	72	5.813	147.65	4.688	119.08	w/o Zerk
Y428896	80	80	5.812	147.62	4.688	119.08	w/o Zerk
831781M1	80MM-4 ZP	80	5.813	147.65	4.688	119.08	w/o Zerk





# Interchange Data

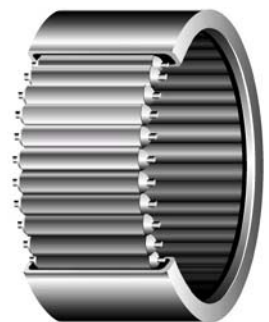
**Bonus**

This **Interchange Data** section allows you to determine, when possible, an AGCO Part Number for a bearing that otherwise could not be identified using this Guide.

AGCO relies on several leading bearing manufacturers to supply a wide selection of bearings. Periodically, the corporation may transfer its sourcing for any given bearing part number from one manufacturer to another. The bearing quality and construction doesn't change, but the manufacturer part number on that bearing does. That new part number will not immediately be reflected within this guide.

**This interchange shows the interrelationship** between bearing manufacturer part numbers for popular bearing types, including Ball, Disc Harrow, Roller and Housed. This information should help you expand your sales opportunities into other market segments while improving customer satisfaction.

**EXAMPLE** Janet Smith brings you a bearing with Manufacturer Part No. **HPC100GP**. You check the AGCO Bearing Cross-Reference Guide Index and cannot locate this part number. So you turn to this Interchange Data section and on page 237, you find that **HPC100GP** has an AGCO Part No. equivalent of **842697M1**.





# Interchange Data Ball Bearings



Radial ball bearings can differ from one manufacturer to another, or they can also be functionally the same. This chart will help you understand how different ball bearing series are related.

Radial Ball Bearings Series								
NTN	Barden	BCA	Timken	FAG	MRC	NDH	NSK	SKF
634	34K	34	34K	634	34	34	R4B	
635	35K	35	35K	635	35	35	R5B	
626	36K	36	36K	626	36	36	R6B	
627	37K	37	37K	627	37	37	R7	
608	38K	38	38K	608	38	38	R8	
629	39K	39	39K	629	39	39	R9	
6000	100K	100	9100K	6000	100KS	3L00	6000	
6200	200	200	200K	6200	200S	3200	6200	
6300	-	300	300K	6300	300S	3300	6300	
BL200	-	1200	200W	200	200M	1200	200	
BL300	-	1300	300W	300	300M	1300	300	
8000	-	8000	30KL	8000	30FS	8000	-	-
87000	-	87000	30KLD	87000	30FSF	87000	-	-
88000	-	88000	30KLL	88000	30FFS	88000	-	-
8500	-	8500	200KL	8500	200FS	8500	-	-
87500	-	87500	200KLD	87500	200FSF	87500	-	-
88500	-	88500	200KLL	88500	200FFS	88500	-	-
63200	9200	-	W200PP	S3500	200SFFC	-	-	462200
63300	9300	-	W300PP	S3600	300SFFC	-	-	462300
6900	-	-	9300K	61900	1900S	3LL00	6900	61900
R2	-	-	33K3	R2	R-2	R2	R2	-
RA2	SR2A	-	33K4	RA2	R-2A	R2A	R2A	EE-0
R3	SR3K	-	33K5	R3	R-3	R3	R3	EE-1
RA3Z	SR3S	-	33KD5	R3-Z	R-3-FM	7R3	R3Z	-
R188	SR188K	-	-	-	-	-	R188	-
EE2	SR4A	-	S1K	R4A	R-4A-4	R4A	EE2	EE-2
EE3	SR6K	-	S3K	R6	R-6	R6	EE3	EE-3
R4	SR4K	R4SS	S1K7	R4	R-4	R4	R4	-
RA4Z	SR4AS	-	S1KD	R4-A-Z	R-4-AF	7R4A	R4Z	-
R6Z	SR6S	R6SS	S3KD	R6-Z	R-6-F	7R6	R6Z	-
R8Z	SR8S	R8SS	S5KD	R8-Z	R-8-F	7R8	R8Z	-
R10Z	SR10S	R10S	S7KD	R10-Z	R-10-F	7R10	R10Z	-
R12Z	-	R12S	S8KD	R12-Z	R-12-F	7R12	R12Z	-
R14Z	-	R14S	-	R14-Z	R-14-F	7R14	R14Z	-
R16Z	-	R16S	-	R16-Z	R-16-F	7R16	R16Z	-
R18Z	-	-	-	R18-Z	R-18-F	7R18	R18Z	-
R20Z	-	-	-	R20-Z	-	7R20	R20Z	-



# Interchange Data Ball Bearings



Angular and Self-Aligning ball bearings can differ from one manufacturer to another, or they can be functionally the same. This chart will help you understand how different series are related.

Angular and Self-Aligning Ball Bearing Series								
NTN	Barden	BCA	Timken	FAG	MRC	NDH	NSK	SKF
7000	2100H	-	7100PW	7000	7100KR	0L00	7000	7100
7200	2200H	7200	7200PW	7200	7200	20200	7200	7200
7300	2300H	7300	7300PW	7300	7300	20300	7300	7300
3200	-	5200	5200	3200	5200	5200	-	5200
5200	-	-	-	-	-	-	5200	-
3300	-	5300	5300	3300	5300	5300	-	5300
5300	-	-	-	-	-	-	5300	-
1200	-	-	L200	1200	-	2500	1200	1200
2200	-	-	L6200	2200	-	-	2200	2200
1300	-	-	L300	1300	-	2600	1300	1300
2300	-	-	L6300	2300	-	-	2300	2300

This listing shows the popular Hex Bore bearings that are offered from the different manufacturers.

Hex Bore Bearings				
AGCO Part No.	NTN Part No.	Timken Part No.	NDH Part No.	BCA Part No.
W232380B	1AH05-7/8	205KRR2	-	HPC014GP
31-2475140	2AH05-7/8	205KRRB2	-	HPS014GP
842697M1	1AH06-1	206KRR6	88506J	HPC100GP
70598622	2AH06-1	206KRRB6	88506H	HPS100GP
7714603	2AH06-1D1	G206KRRB6	-	-
71197194	2AH07-1.1/8	207KRRB9	-	HPS102GP
70575883	2AH08-1.1/4V2	W208PPB16	-	-

Manufacturers use alphanumeric suffixes to identify different ball bearing features. This listing shows how the same feature can be referred to by different suffixes.

Seals, Shields and Snap Rings					
Manufacturer	Single Shield	Double Shield	Double Seal	Single Shield & Seal	Snap Ring
SKF Suffix	Z	2Z	2RS	RSZ	NR
NTN Suffix	Z	ZZ	LLB or LLU	LBZ or LUZ	NR
NSK Suffix	Z	ZZ	VV or DDU	VZ or DUZ	NR
NDH Suffix	7	77	99	97	4
MRC Suffix	F	FF	ZZ	ZF	G
FAG Suffix	Z	2Z	2RS	RSZ	NR
Timken Suffix	D	DD	PP	PD	G
BCA Suffix	S	SS	DD	DS	L
Barden Suffix	S	SS	FF	-	-



# Interchange Data Disc Harrow Bearings



These are the industry's top-selling Disc Harrow Bearings Part Numbers. Use this as a quick guide to find the AGCO Part No. for these popular Disc Harrow Bearings.

Disc Harrow Bearings				
AGCO Part No.	Timken Part No.	NTN Part No.	BCA Part No.	NDH Part No.
552-204	W208PPB13	1AS08-7/8	DS208TT13	AS4508FF
1905671M1	W208PPB11	4AS08-7/8	DS208TT11	AS4508FC
834367M1	W208PPB6	1AS08-1	DS208TT6	AS4508BK
W20H5836	GW208PPB6	1AS08-1D1	DS208TTR6	RAS4508AE
SN24A-5301	W208PPB5	1AS08-1.1/8	DS208TT5	AS4508BJ
W238481B	GW208PPB8	2AS08-1.1/8D1	DS208TTR8	RAS4508EF
447899M1	W208PPB12	4AS08-1.1/8	DS208TT12B	AS4508BC
1905667M1	GW208PPB5	1AS08-1.5/32D1	DS208TTR5	-
842303M1	W209PPB5	2AS09-1.1/4	DS209TT5	AS4509A
832540M1	W211PPB3	3AS11-1.1/2	DS211TT3	AS4511BE
70583939	GW211PPB3	3AS11-1.1/2D1	DS211TTR3	RAS4511BE
1905680M1	W211PPB6	4AS11-1.1/2	DS11TT6	AS4511AC
1905665M1	W208PP5	5AS08-1.1/8	DC208TT5	AS5408BH
1905669M1	W208PP8	6AS08-1.1/8	DC208TT8	AS4508BD
1905677M1	GW210PP4	7AS10-1.1/8D1	DC210TTR4	RAS4510B
70406677	W211PP5	6AS11-1.1/2V1	DC211TT5	AS4511AE
1905678M1	W211PP3	7AS11-1.1/2	DC211TT3	AS4511BD
1905679M1	GW211PP3	7AS11-1.1/2D1	DC211TTR3	RAS4511BD
W237092B	W208PPB7	1AC08-1.3/16	DS208TT7	-
1905664M1	W208PPB2	2AC08-1.1/2	DS208TT2A	-
8050056	GW209PPB11	1AC09D1V1	DS209TTR10	-
31-0072	W209PPB2	3AC09	DS209TT2	AS4509BE
1905682M1	GW209PPB2	3AC09D1	DS209TTR2	RAS4509BE
1905673M1	W209PPB4	3AC09-1.1/2	DS209TT4	AS4509BD
EP6576	GW209PPB4	3AC09-1.1/2D1	DS209TTR4	RAS4509BD
831960M3	W210PPB2	3AC10-1.15/16	DS210TT2	-
E10771	GW210PPB2	3AC10-1.15/16D1	DS210TTR2	-
1905681M1	GW211PPB9	1AC11-2.3/16D1V1	DS211TTR9	-
1905683M1	GW211PPB2	3AC11-2.3/16D1	DS211TTR2	-
WZ548	RM1115K	5AC10-1.15/16V1	DC210	3210B
1905676M1	W210PP2	7AC10-1.15/16	DC210TT2	-





# Interchange Data Roller Bearings



Each Roller Bearing manufacturer uses a different alphanumeric part number to describe the series of each roller bearing. These charts will help you understand how different series are related.

Cylindrical Roller Bearing Series							
NTN	Bower	FAG	NDH	NSK	Rollway	SKF	Timken
NU1000	-	NU1000	A1000WB	NU1000	-	NU1000	-
NU200	MA1200EL	NU200	A1200WB	NU200	MUC200	NU200	000RU02
NJ200	MR1200EL	NJ200	R1200WB	NJ200	MUL200	NJ200	000RJ02
NH200	-	-	PR1200WB	NH200	MR200	NH200	-
NUP200	MSN1200EX	NUP200	-	NUP200	MU200	NUP200	000RT02
N200	MU1200CL	N200	BU1200Z	N200	MCS200	N200	000RN02
NF200	MU1200DL	NF200	BU1200L	NF200	ML200	NF200	000RF02
NU2200	-	NU2200	-	NU2200	-	NU2200	-
NU300	MA1300EL	NU300	A1300WB	NU300	MUC300	NU300	000RU03
NU2300	-	NU2300	-	NU2300	-	NU2300	-
NN3000	-	NN3000	-	NN3000	-	NN3000	-

Spherical Roller Bearings Series					
NTN	FAG	Link-Belt	NSK	SKF	Timken
23900	23900	-	23900	23900	23900
23000	23000	23000LB	23000	23000	23000
24000	24000	-	24000	24000	24000
23100	23100	23100LB	23100	23100	23100
24100	24100	-	24100	24100	24100
22200	22200	22200LB	22200	22200	22200
23200	23200	23200LB	23200	23200	23200
21300	21300	-	21300	21300	21300
22300	22300	22300LB	22300	22300	22300
29300	29300	-	29300	29300	29300
29400	29400	-	29400	29400	29400



# Interchange Data Housed Units



Each Housed Unit manufacturer uses a different alphanumeric part number to describe the series. These charts will help you understand how different series are related.

Mounted Units Series							
Timken	Hub-City	Dodge	NTN	NSK	Link-Belt	Sealmaster	SKF
RASC	PB251	SC	UCP	UCP	P3-U	NP	SY
-	PB250	SCB	UCPL	-	PL3-U	S-500M	-
RASC	PB221	SX	UJELP	EWP	P3-Y	-	-
RAK	PB220	SXB	UJELPL	-	PL3-Y	-	SYH-X
RAKH	PB350	SCM	UCPX	-	-	MP	-
-	-	SL	ASPP	UBPP	-	SSP	-
-	-	-	ASRPP	UBPPR	-	LRP	-
PB	-	SLX	AELPP	ENPP	-	-	SP
RPB	-	-	AELRPP	-	-	-	SRP
RCJC	FB250	SC	UCF	UCF	F3-U	SF	FY
RCJTC	FB260	SC	UCFL	UCFL	FX3-U	SFT	-
RCJ	FB220	SX	UJELFU	-	F3-Y	-	FY-X
RCJT	FB230	SX	UJELFLU	-	FX3-Y	-	-
RCJO	FB350	SCM	UCFX	-	-	MSF	-
-	-	SCM	UCFLX	-	-	MSFT	-
FLCT	-	-	AELFD	-	-	-	-
-	-	SL	ASPF	UBPF	-	SSF	-
-	-	SL	ASPFL	UBPFL	-	SSFT	-
RA	-	SLX	AELPF	ENPF	-	-	FP
RAT	-	SLX	AELPFL	ENPFL	-	-	FTP
-	B100	-	AS	UB	-	L	-
RA-NPPB	B200	-	AEL	EN	W200U	-	478200
GC-KRRB	B250	-	UC	US	UG200NL	2-000	479200
G-KRRB	B220	-	UEL	EW	YG200N	-	477200
-	B350	-	UCX	-	-	3-000	-
-	-	-	ASS	-	-	SL	-
RA-NPP	-	-	AELS	-	WB200U	-	-
GC-KRRG	-	-	UCS	UR	UBG200NL	ER	-
G-KRR	-	-	UELS	-	YGB200N	-	-

SAF and SAFS Pillow Block Series			
NTN	Link-Belt	SKF	Timken
SAF22500	P-LB6800(F)H	SAF22500	SAF22500A
SAF22600	P-LB6900(F)H	SAF22600	SAF22600A
SAF22200	P-LB7800(F)H	SAF22200	SAF22200
SAF22300	P-LB7900(F)H	SAF22300	SAF22300
SAF22500B6	P-LB6800FH	FSAF22500	FSAF22500A
SAFS22500	PK-LB6800FH	SAFS22500	SAFS22500A
SAFS22200	PK-LB7800FH	SAFS22200	SAFS22200



## AGCO® Bearings Cross-Reference Guide

